

Instruction Manual

Rain Shower System



Model : 6648

◆ INSTALLATION CONDITION



1. Refer to the 《Standard Part List》 when unpacking , check all parts available .

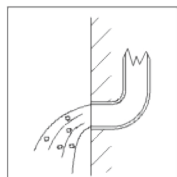
2. Do not disassemble mixer body by yourself.

3. Connect inlet hoses to supply valves.

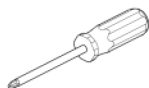
4. Make sure inlet pipes and supply valves have been installed and cleaned, also ensure no impurities in pipeline.

5. After installation , check all joints for leakages.

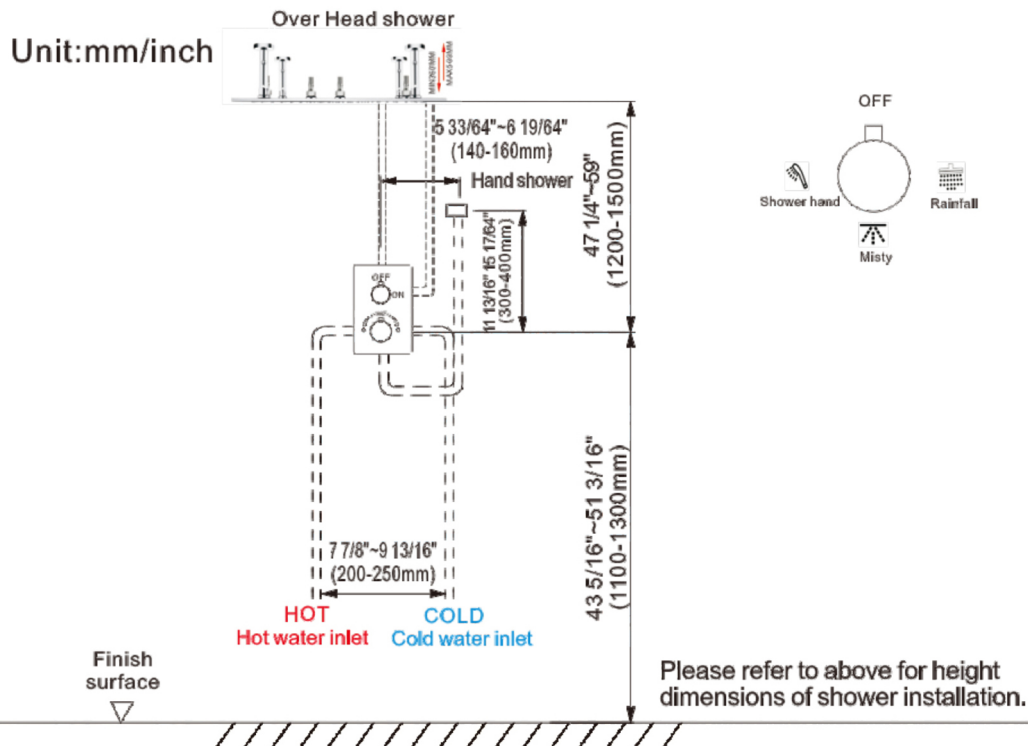
6. Suggest don't fit the faucet in the severely corrosive environments.



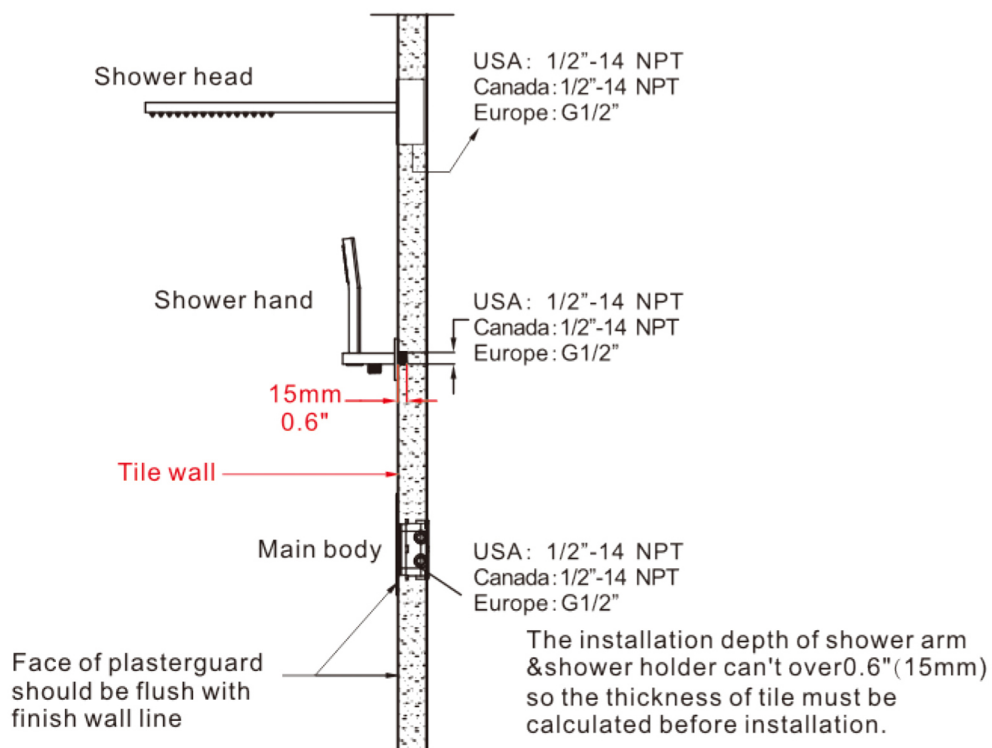
YOU MAY NEED:



INSTALLATION SHOWER SET SIZE & WATER PIPE LINE REFERENCE



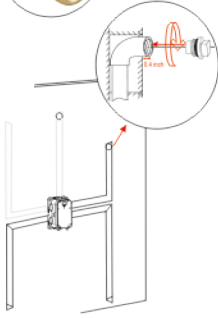
◆ INSTALLATION DEPTH OF SHOWER ARM & SHOWER HOLDER



◆ **WALL MOUNTED/CEILING MOUNTED INSTALLATION BEFORE TILING**

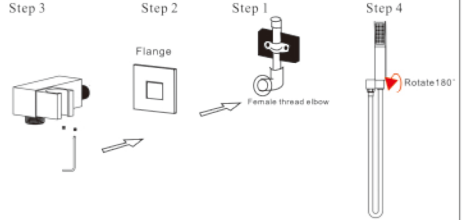


Recommend using copper drop ear pipe elbow(NPT 1/2")



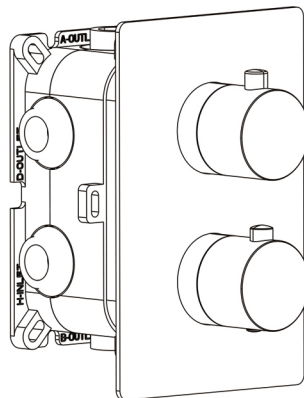
1:Recommend using Copper drop ear pipe elbow(NPT 1/2)
 USA:1/14 NPT 2 -Canada:1/2"-14 NPT
 Europe:G1/2"

◆ **SHOWER HOLDER INSTALLATION INSTALL THE HAND SHOWER HOLDER**



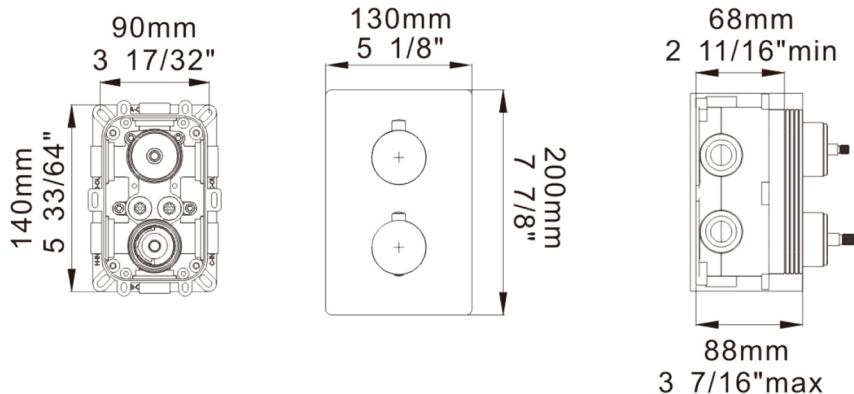
Step1.Screw the thread into the water pipe inside the wall.
 Step2.Screw the main body into the thread.
 Step3.Rotate and fix the body with the special-shaped wrench.
 Step4.Connect hand shower and the hose.


Thermostatic concealed showerfaucet installation guide



◆ INSTALLATION DEPTH OF MAIN BODY

Unit:mm/inch

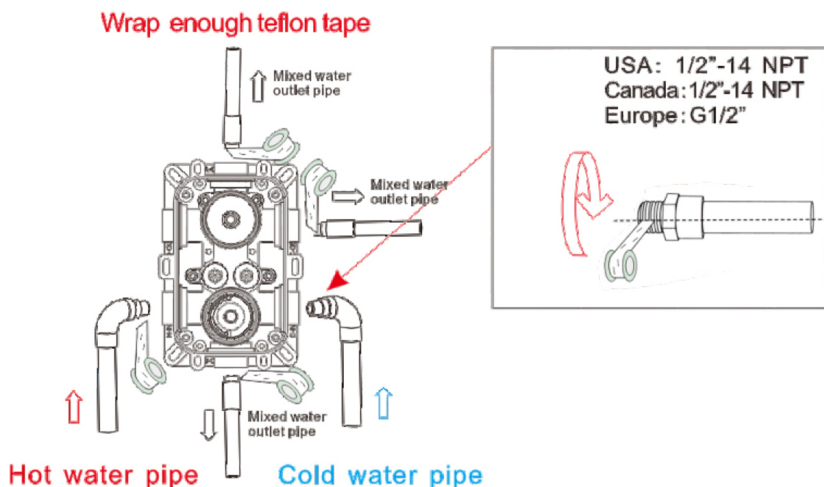


 The depth of main body should be in the thickness range of wall tile

Notice:The installation depth of main body should be no less 2 11/16"(68mm)and no more than 3 7/16"(88mm),including the thickness of tile,Otherwise,the panel cannot be installed.

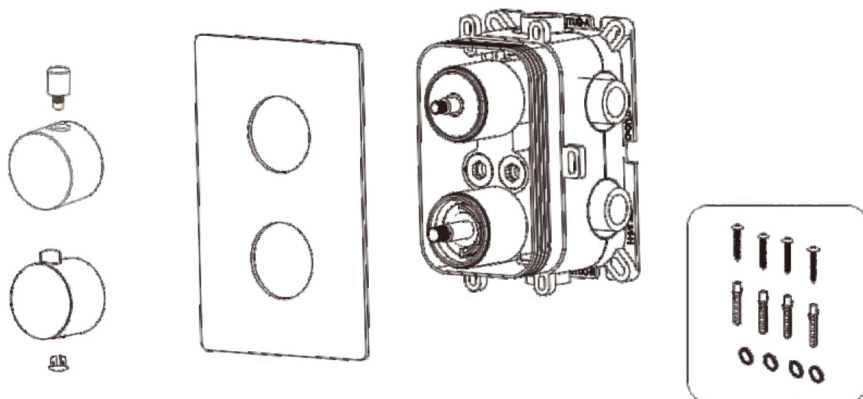
◆ MAIN BODY CONNECTING PIPE SCHEMATIC DIAGRAM

 Warning:must install hot water and cold water inlet strictly as instructions.



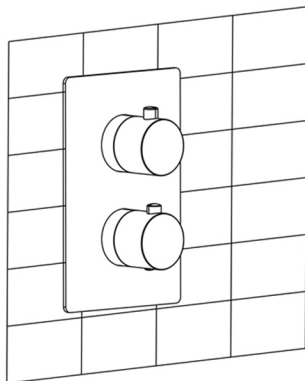
- 1.As shown in the figure, the inlet and outlet pipes are pre-buried,pay attention to the correct direction of installing the pre-buried main body,and make sure that the mark level on the top of the installation box is facing upward.
- 2.Install the hot and cold water inlet pipes,Shower head and hand shower holder body jet pipes. Turn on the water source to test whether the left and right inlet pipes are tightly connected without leakage.After the test,adjust the flow switch to be on to test whether the mixed outlet pipe.The connection is tight and there is no leakage.

◆ MAIN BODY VALVE INSTALLATION



Use Valve gasket spare parts and to fixed Main body on the wall and then install ,Install the body on the cover plate Panel , Hand cup and Hand screw Water diverter/ Water diverter/ rod in the correct order.

As shown in the figure, the main body group of the product is finally installed

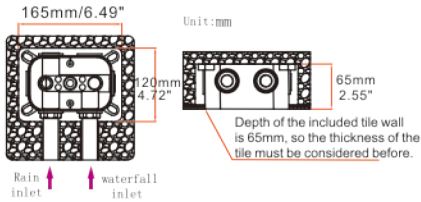


Note: install the control valve with the original Remove the screws of the water baffle to fix the thermostatic control valve, after fixing the control valve, please turn on the water pipe switch, please check whether there is leakage between the control valve and the base. If yes, please disassemble the control valve and check the control valve whether the 6 rubber rings under the valve are installed correctly, reinstall the control valve after inspection. then please connect both hot and cold water to the top to test the water distribution. check whether the valve element is normal. next, test whether the water temperature is in 100°F- 1 under normal using. If there is high or low temperature, please check whether the red pen mark on the thermostatic valve element is aligned. If the temperature is not constant, please check the hot and cold water pipes whether the installation position of the cold and hot water inlet holes of the main body is correct yes. After testing all functions, please install the panel and when installing the switch handle, make sure that the handle lever is in the right direction facing 100°F.

! Be sure to connect cold water and hot water at the same time during the test.

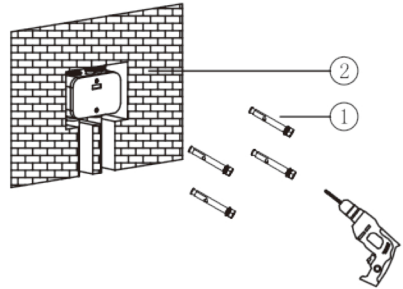
◆ MODEL: 22IN SHOWER HEAD INSTALLATION

1. Digging wall according to following size, and connect rain and waterfall inlet correctly

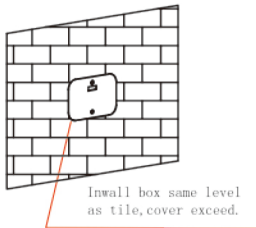


⚠ If the Inwall box is embedded too deep, the shower head will not be installed properly and it will cause water leakage and sag problems. Please pay special attention to the installation depth.

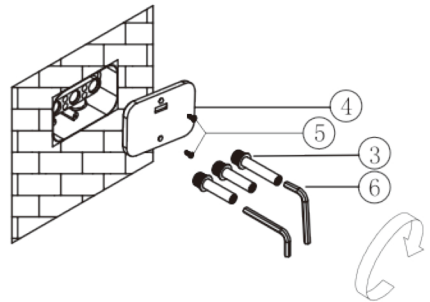
2. Lock Inwall box refer to level meter guarantee horizontal level and test leaking for 24 hours.



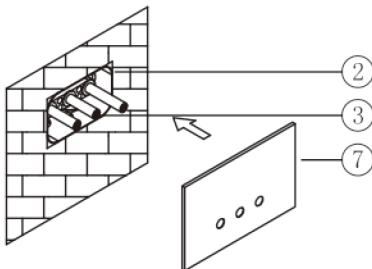
3. Remain inwall box in same level as wall after seal the tile and cover exceed wall.



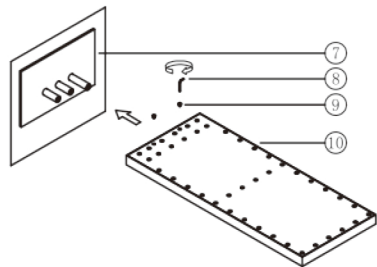
4. Install Shower head body. First remove box cover and plug, screw three water inlets into inwall box with S8 Allen Key. Longest role is support.



5. Install Flange as picture. Caution: do setp 4-5-6 to test horizontal and vertical position of shower head before wall seal to avoid any trouble of repair after wall seal.



6. Push shower head body into according water inlets, and tighten shower body by M4 screw with Allen key 2.5.



◆ CARE AND MAINTENANCE

In order to keep the mixer surface bright , please clean the mixer regularly.

Rinse faucet with clean water and wipe with soft cotton cloth.

Avoid using cleaning powder , harsh cleaning chemicals, brushes, and cloth with coarse surface to prevent scratching and corrosion.

Do not use acid cleaner to clean the faucet as it may cause surface corrosion of the faucet. If the faucet comes into contact with harmful acid substances, please rinse it with water immediately.



◆ IF A LARGE-SCALE CLEAN-UP IS NECESSARY, FOLLOW THESE PROCEDURES

1: Use clean water and soft cloth to remove dirt on the surface as much as possible.

2: Use one of the following cleaners to remove dirt on the surface

Mild liquid cleaner.

Colorless glass cleaner, powder cleaner which does not have abrasive function and can be dissolved completely.

Polish liquid which does not have abrasive function.

3: After cleaning, remove the cleansing agent with clean water completely and wipe with soft cotton cloth.