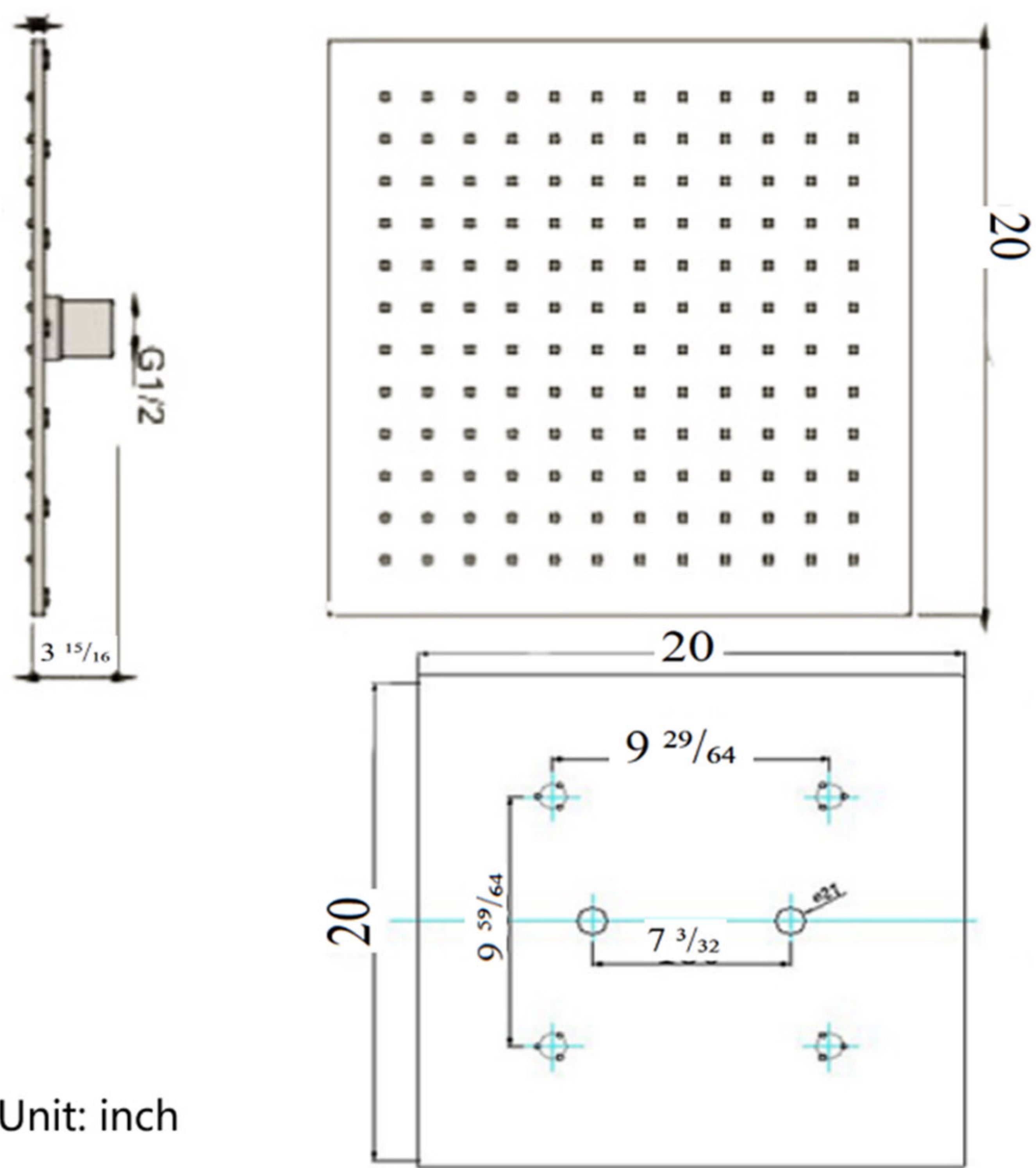
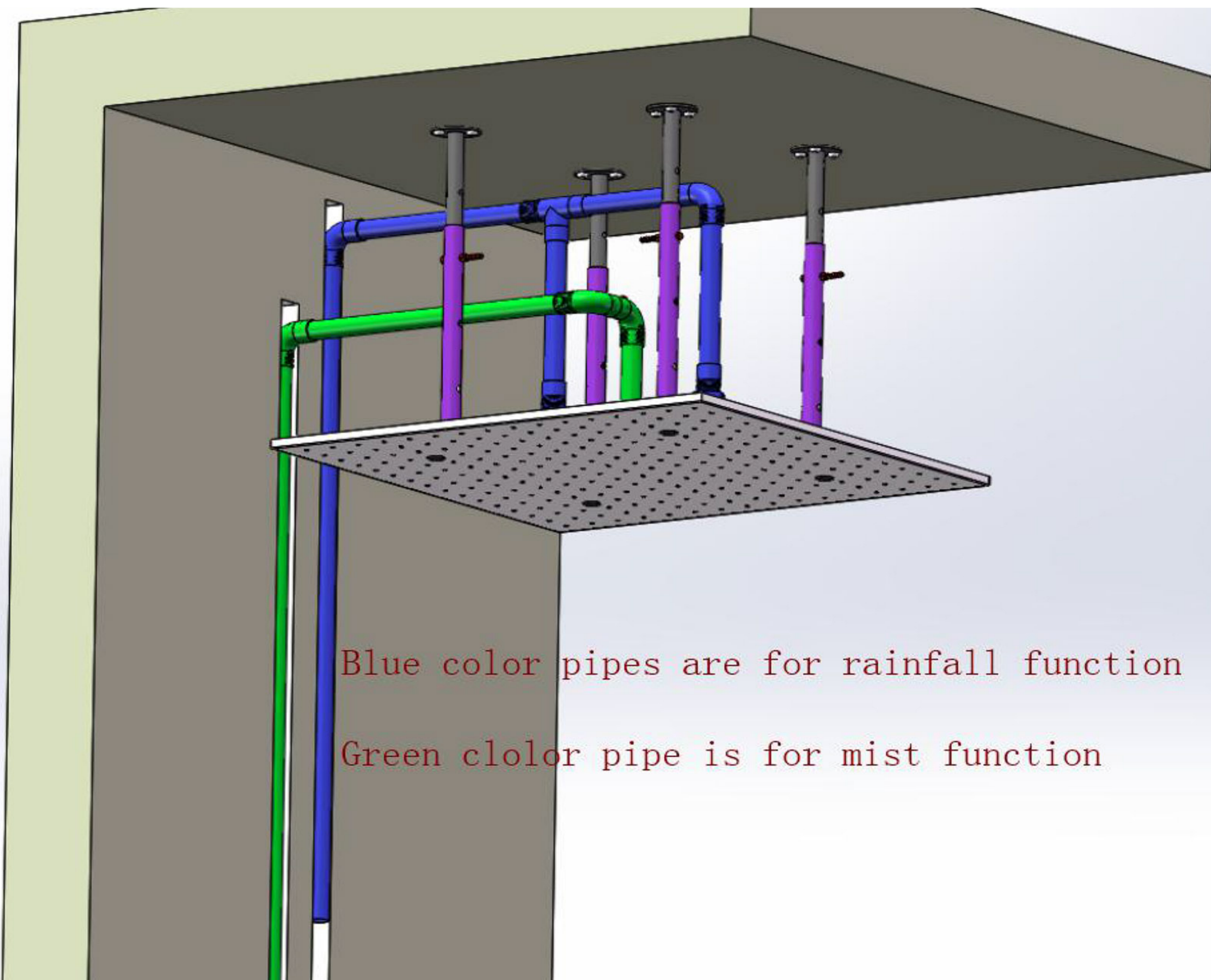


20" SHOWER HEAD-TWO FUNCTIONS INSTALLATION GUIDE



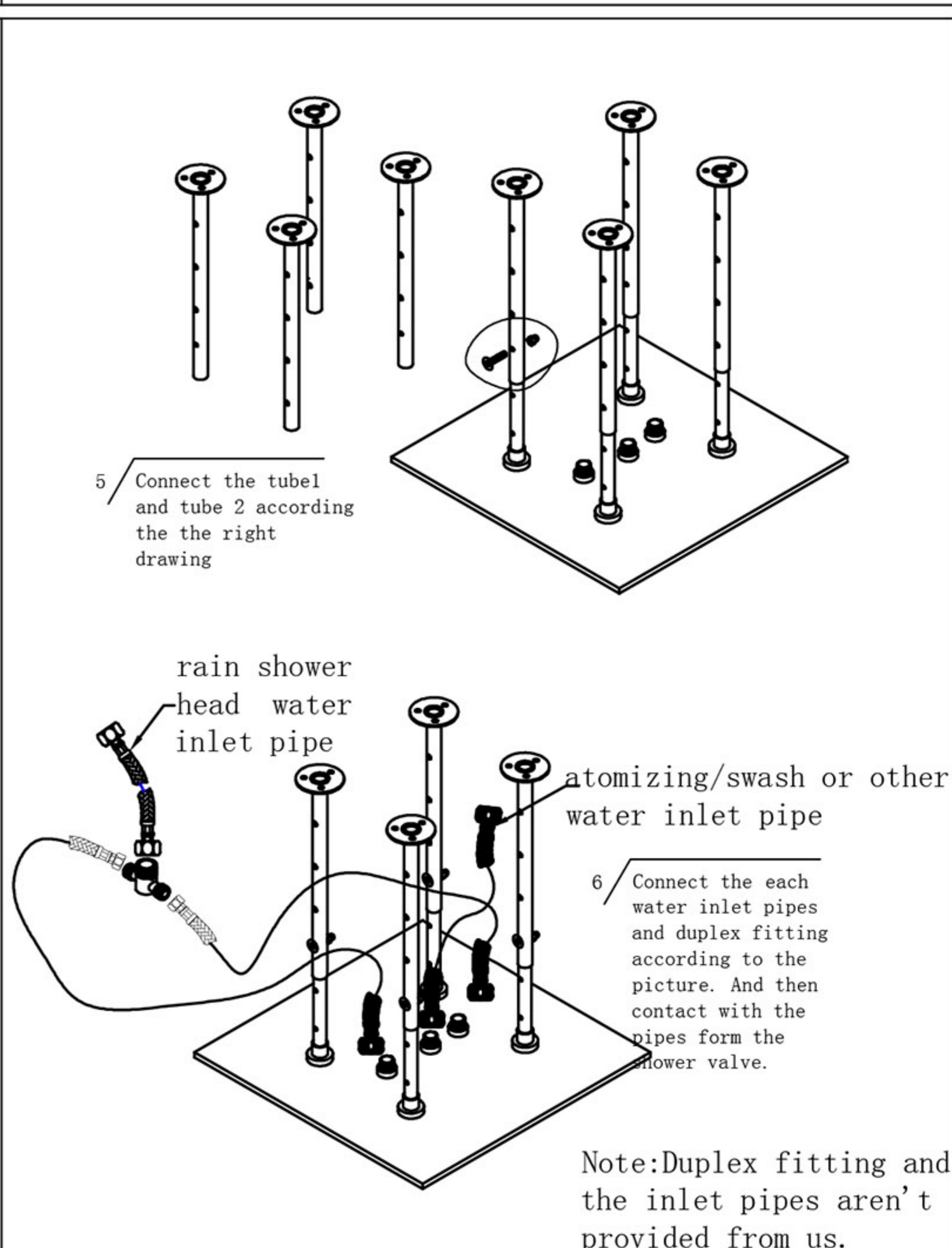
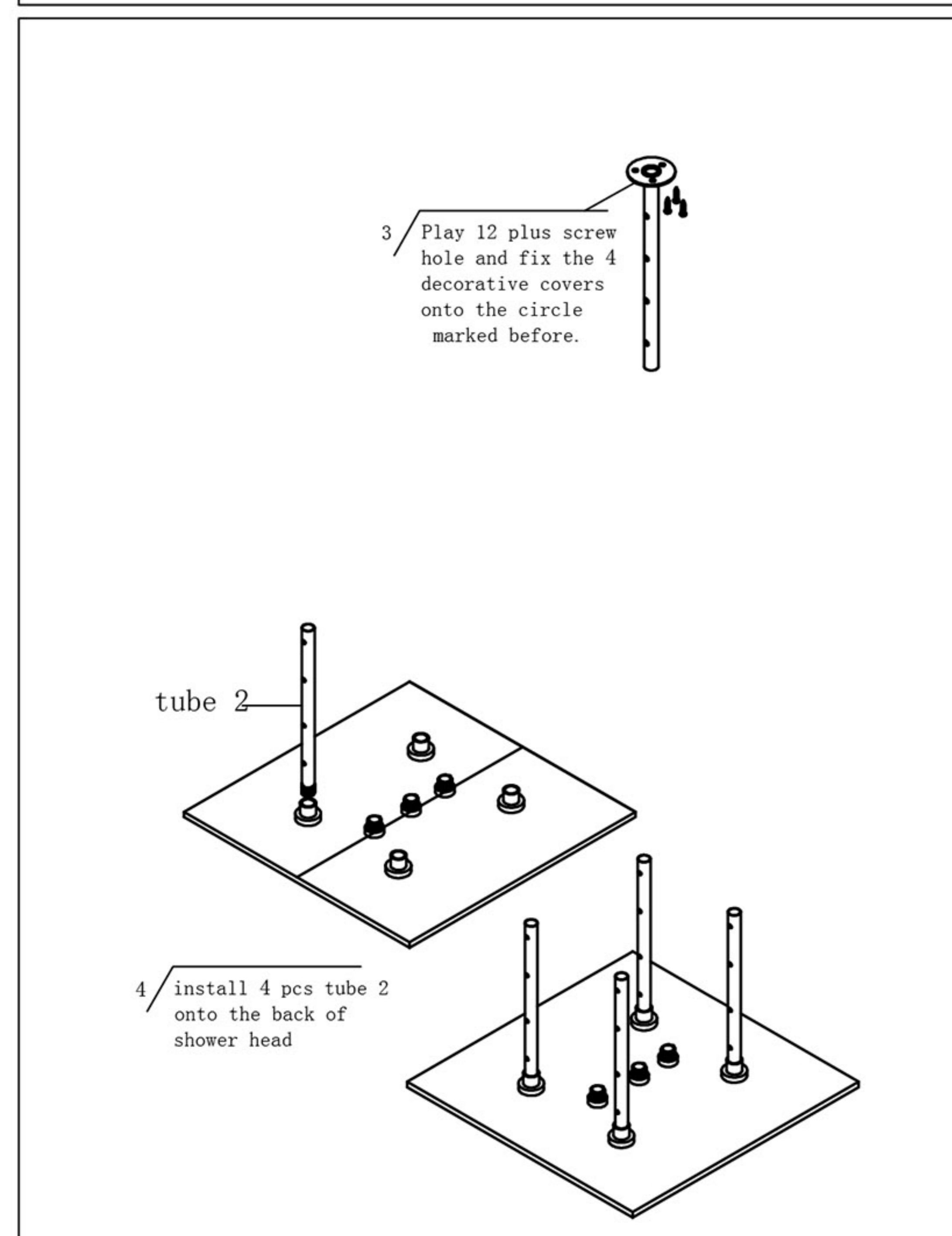
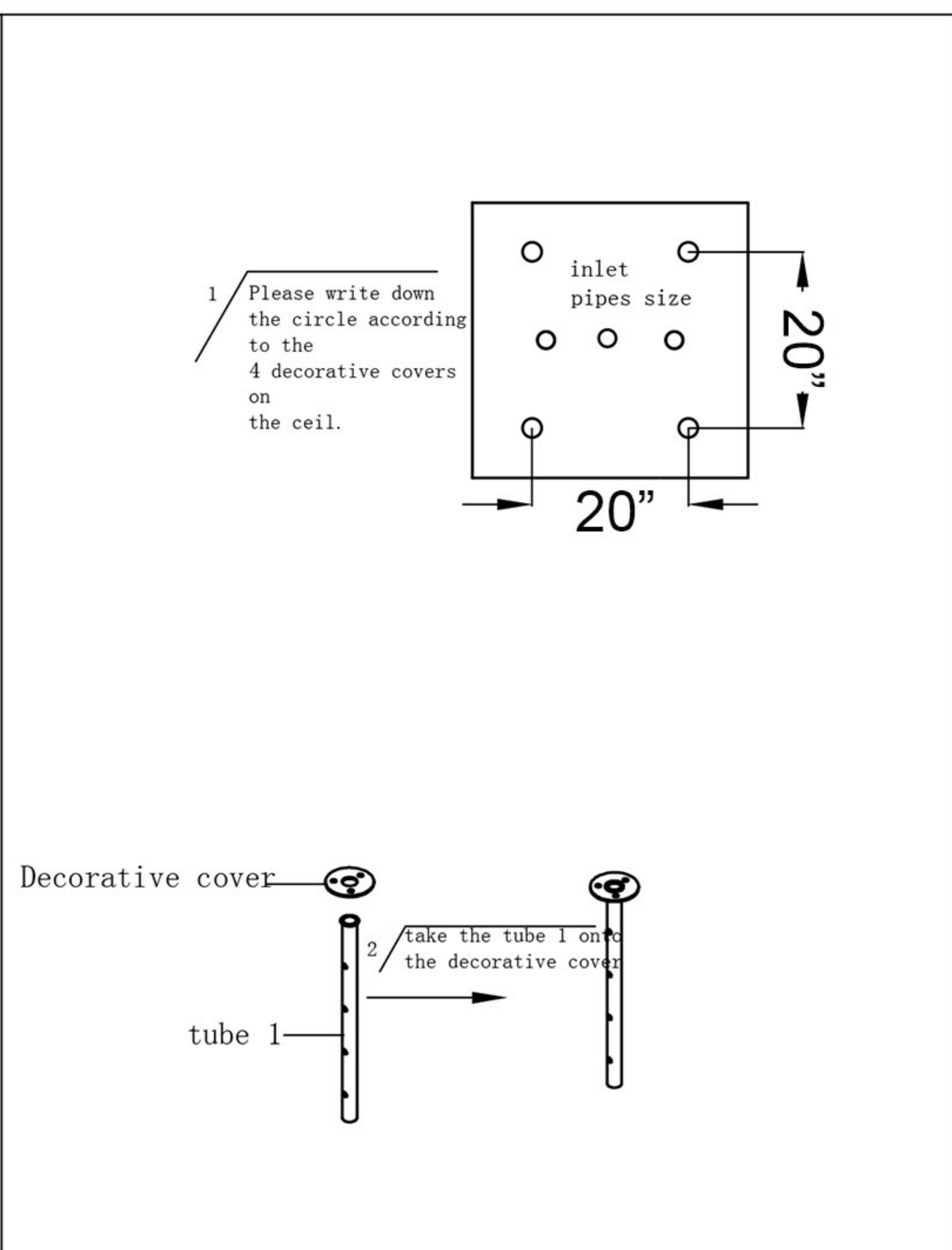
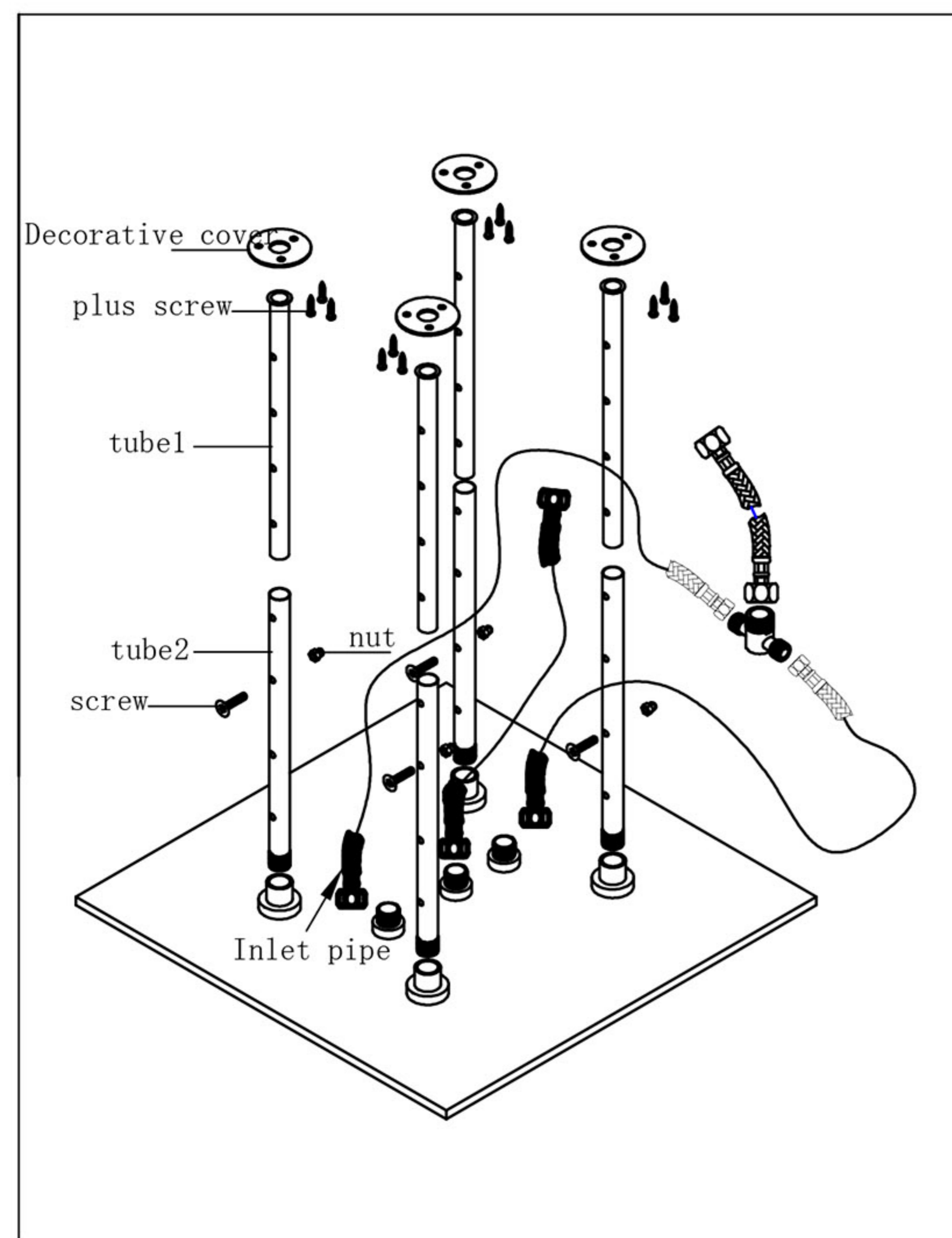
Unit: inch



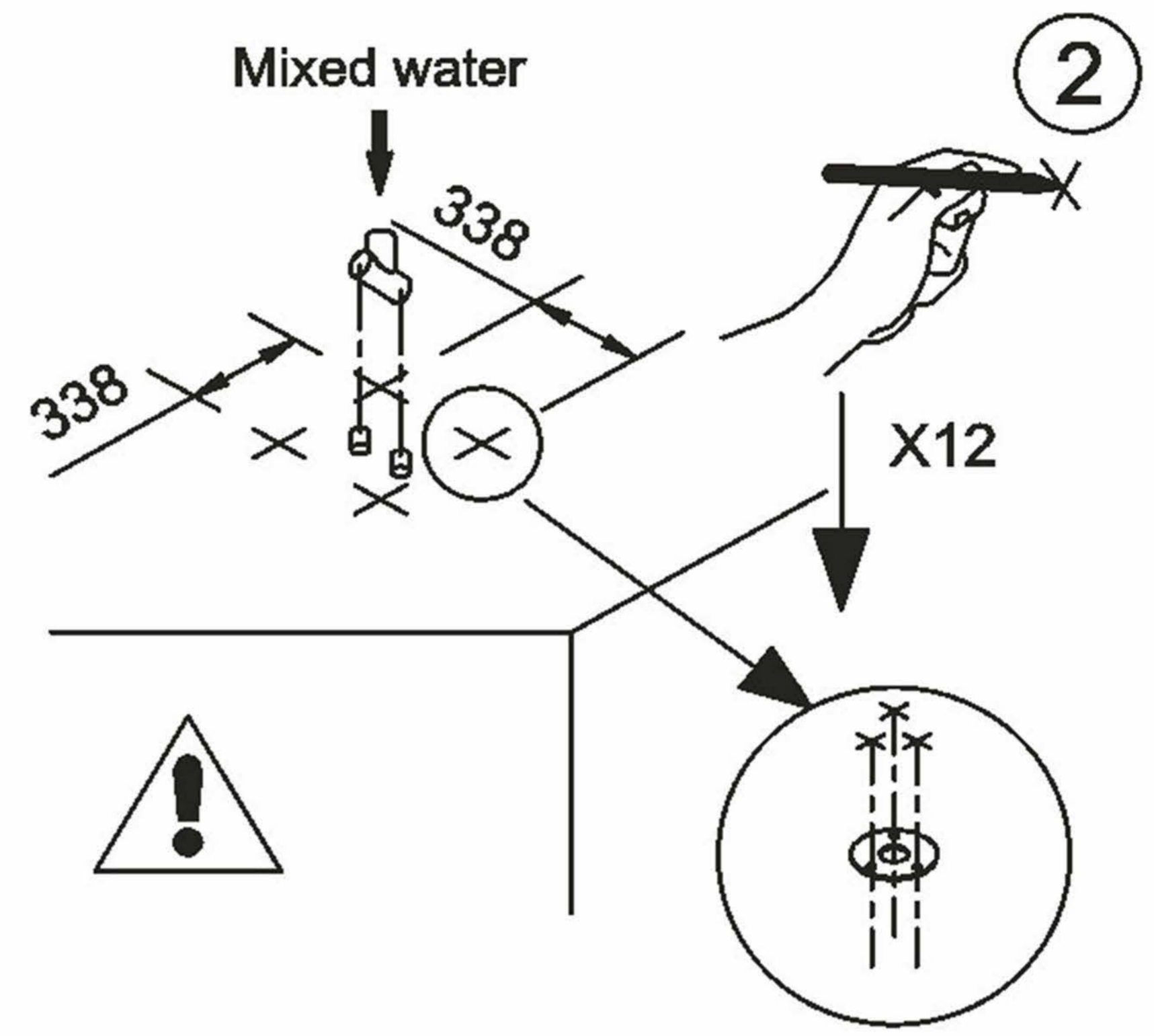
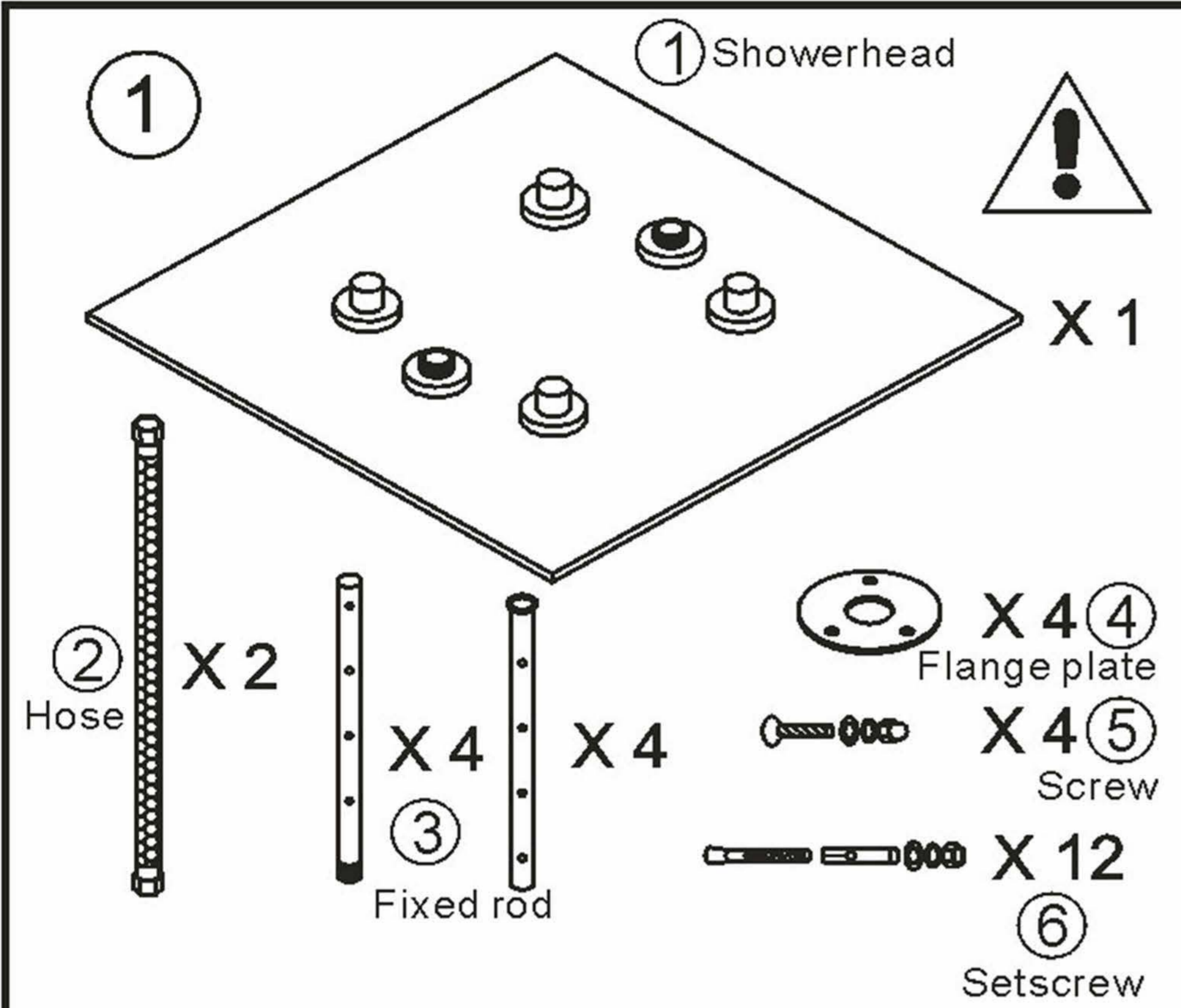
Blue color pipes are for rainfall function

Green color pipe is for mist function

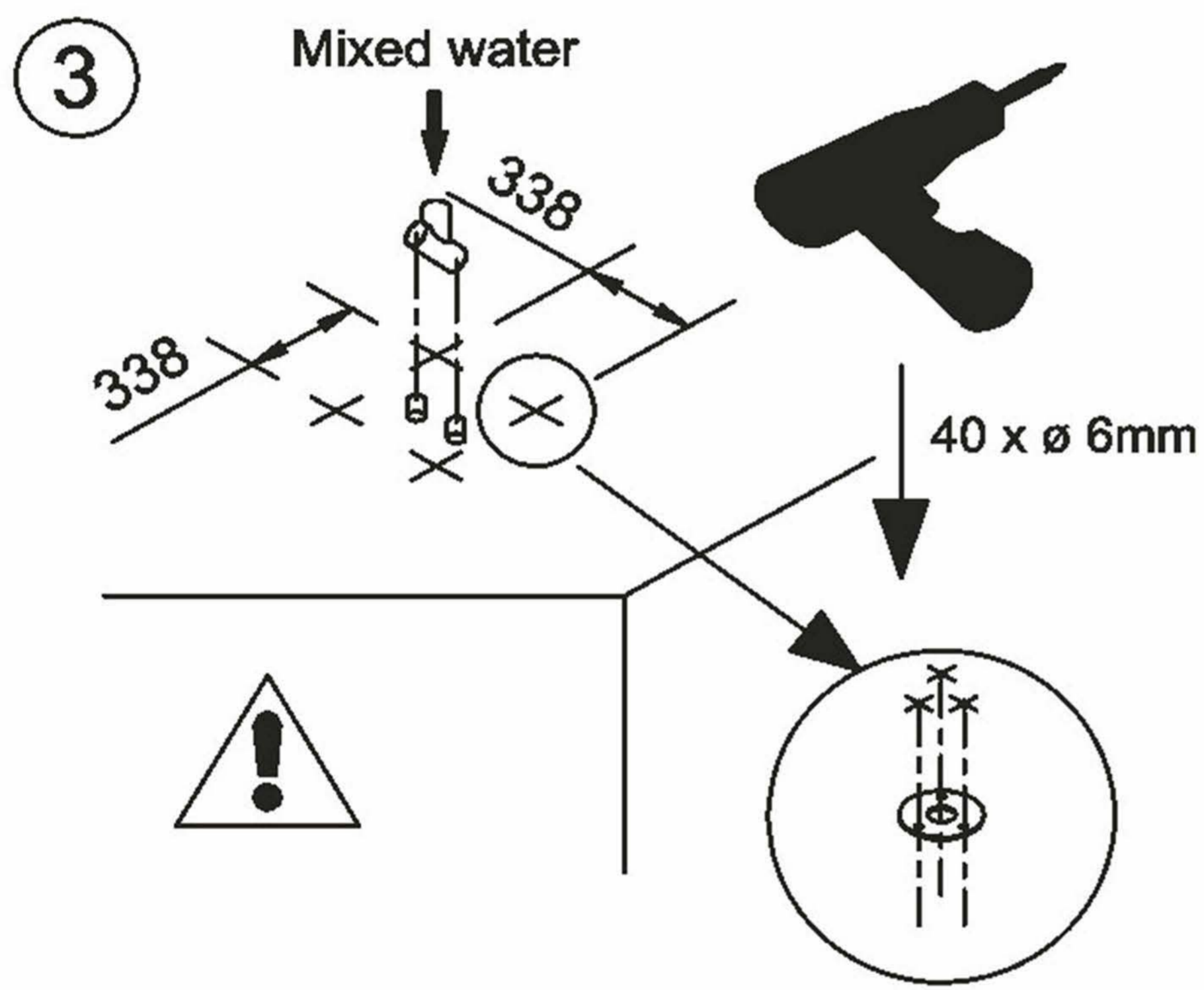
Shower Head Installation



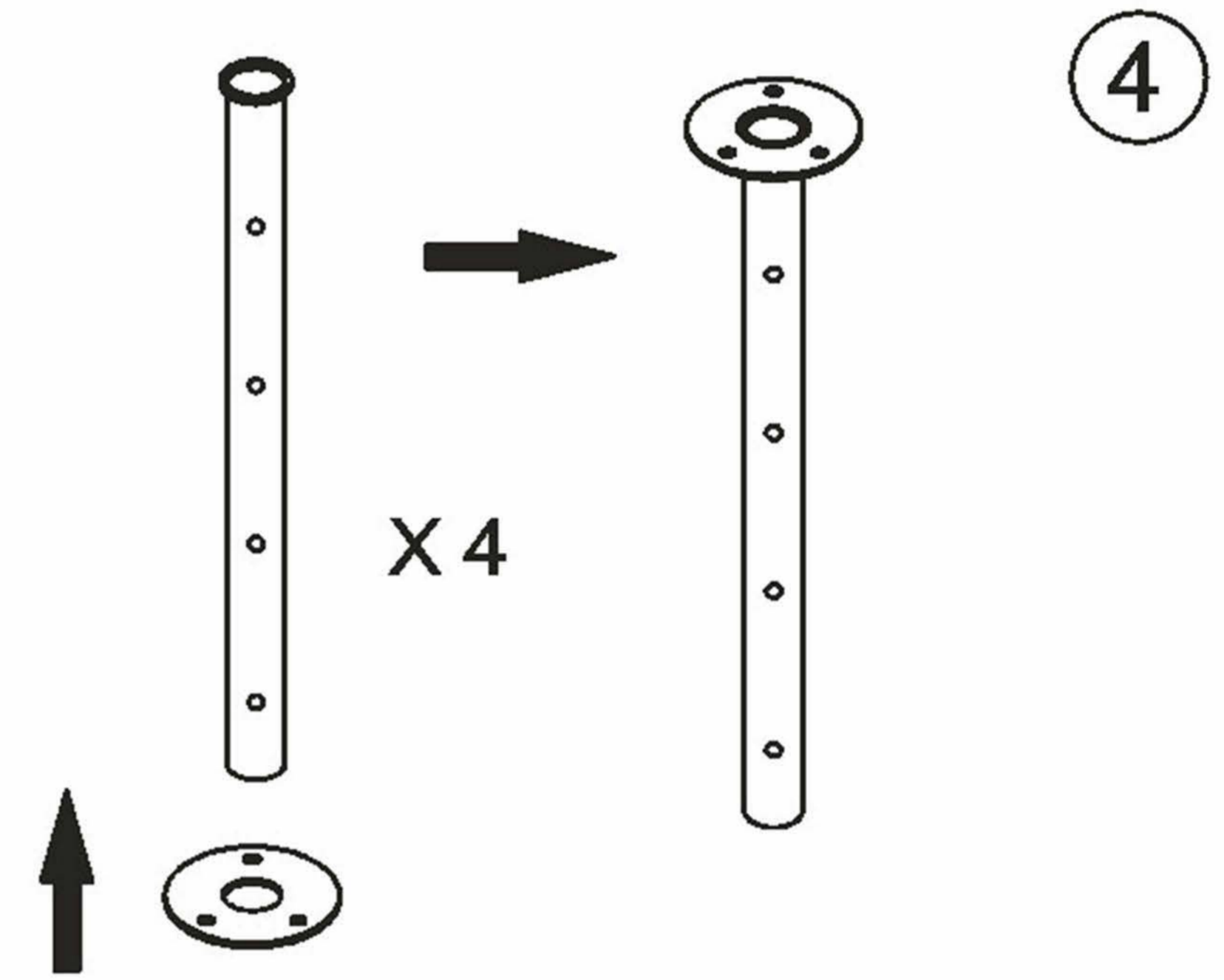
◆ More Details



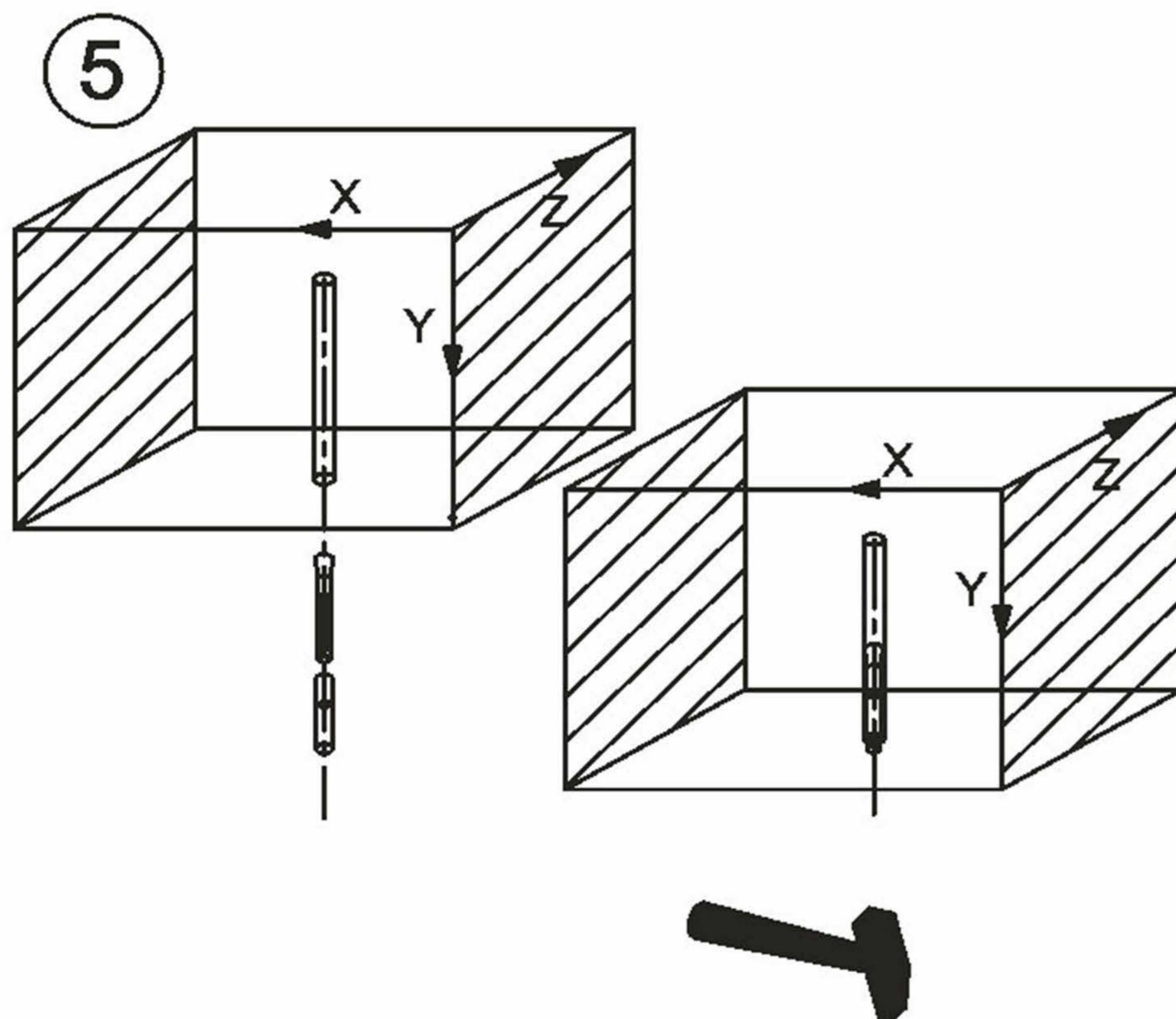
Mark the installation position of the showerhead.



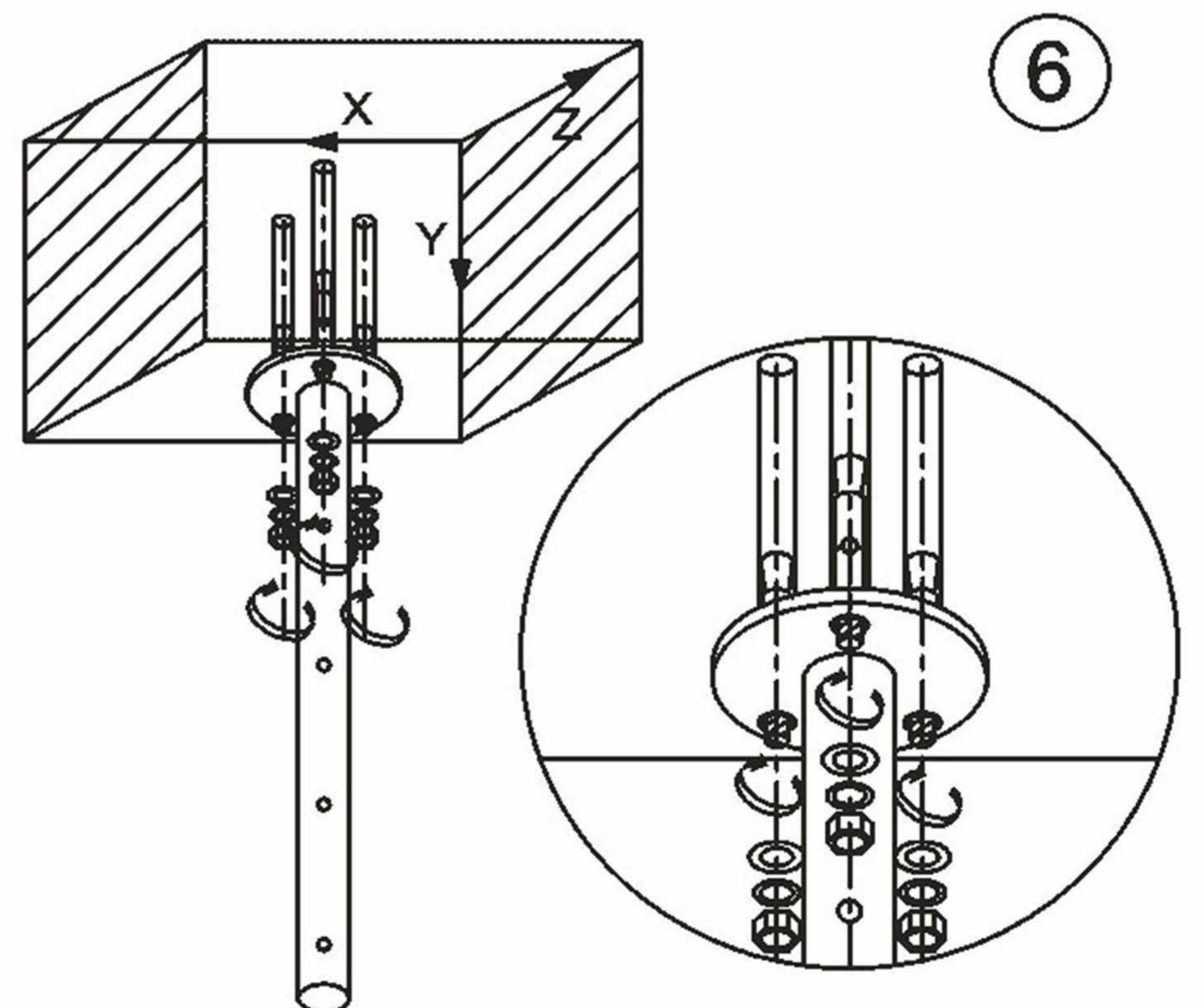
Position drilling.



Sleeve the ④ flange plate into the ③ Fixed rod..

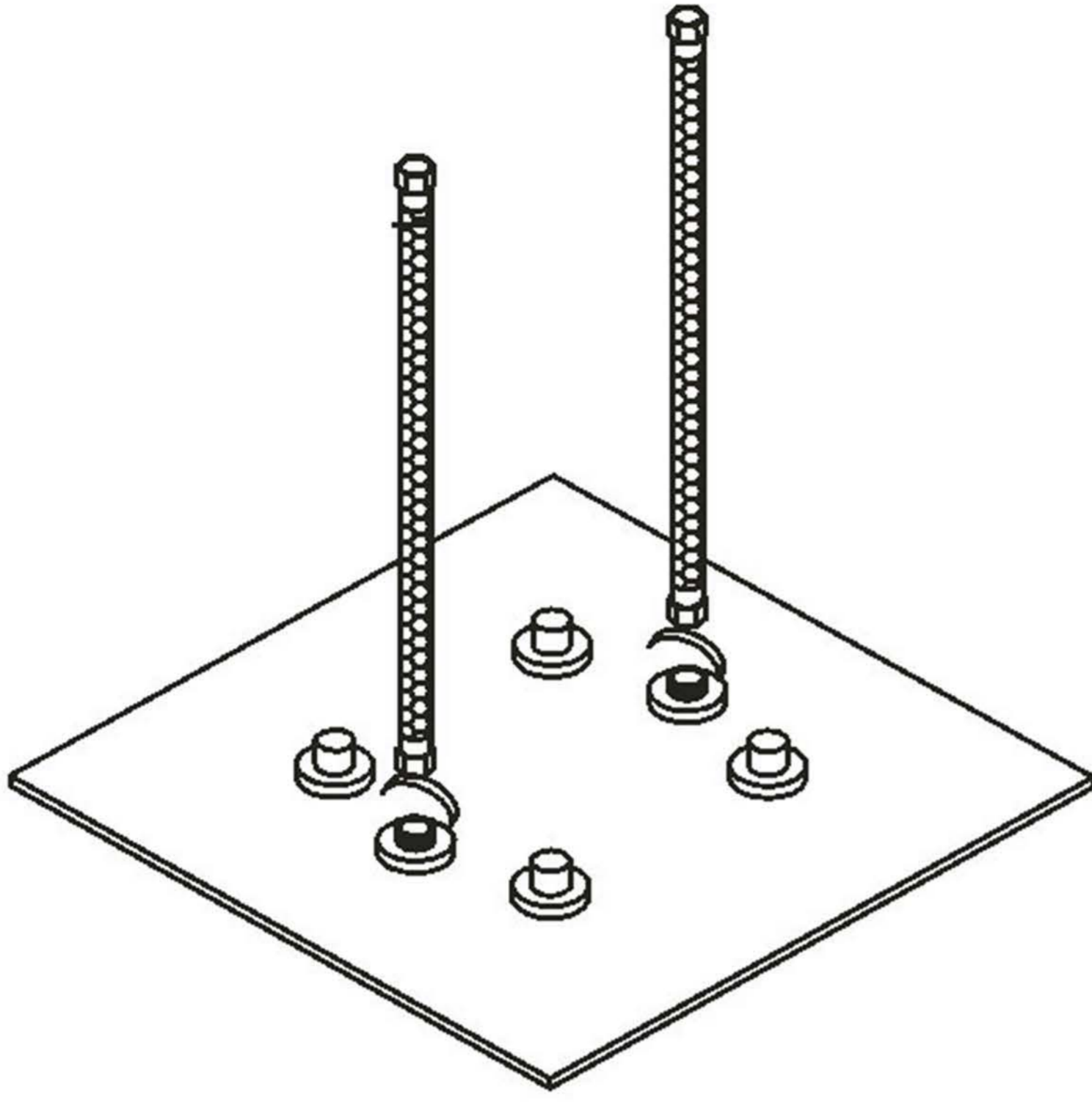


Hammer into the setting screw.



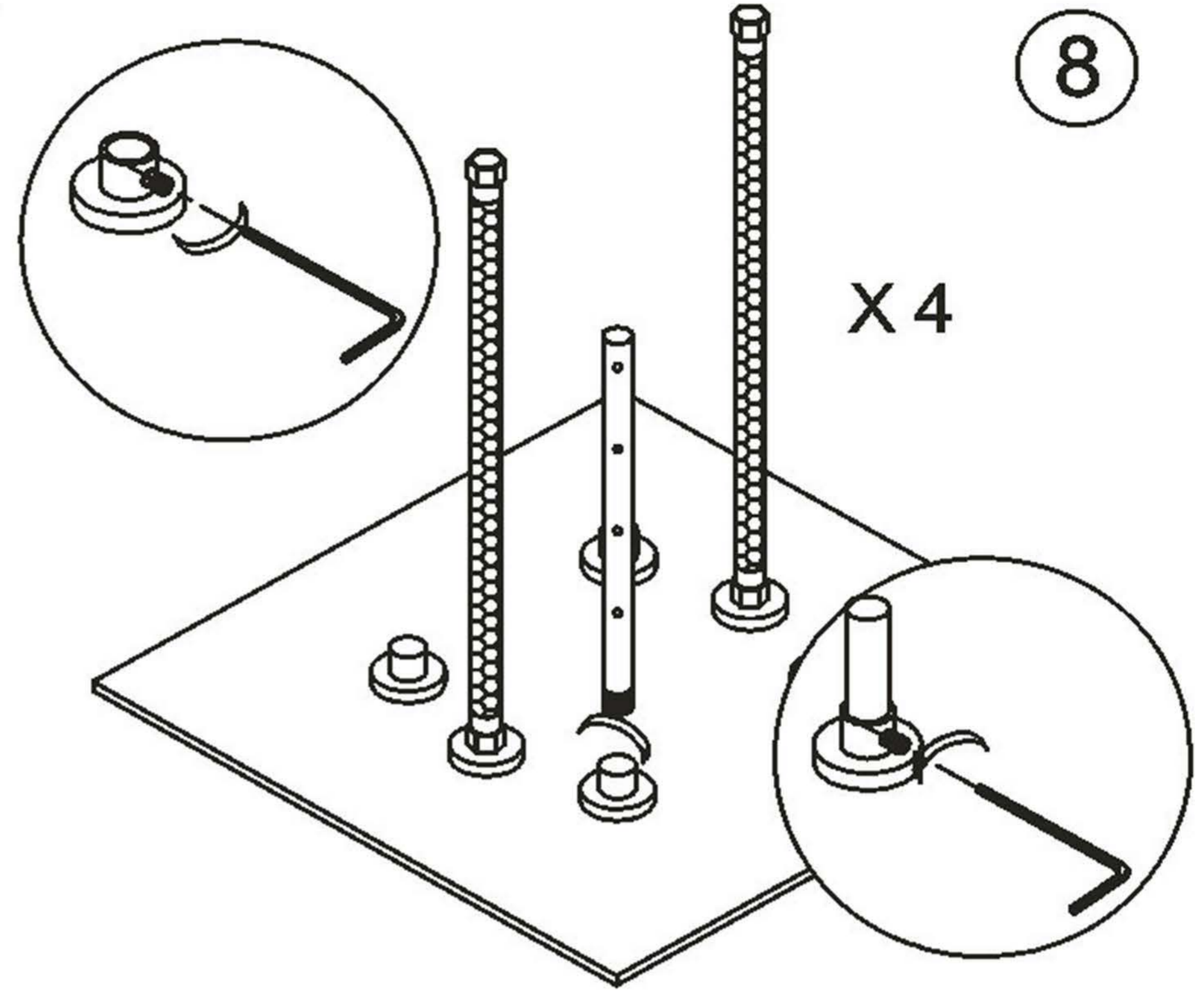
Fix the shower arm as above figure.

7

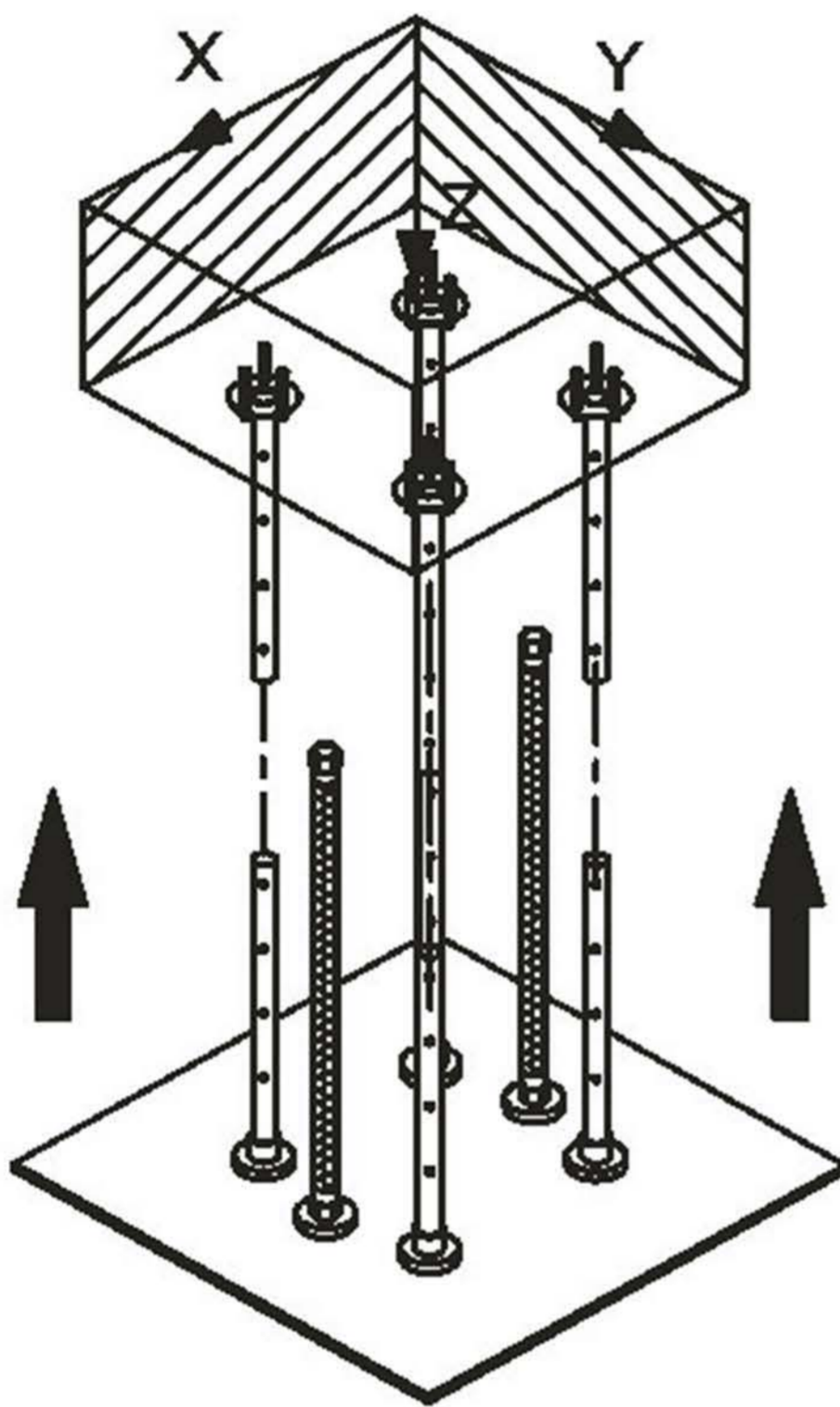


Connect the ②Hose inlet water pipe.

8

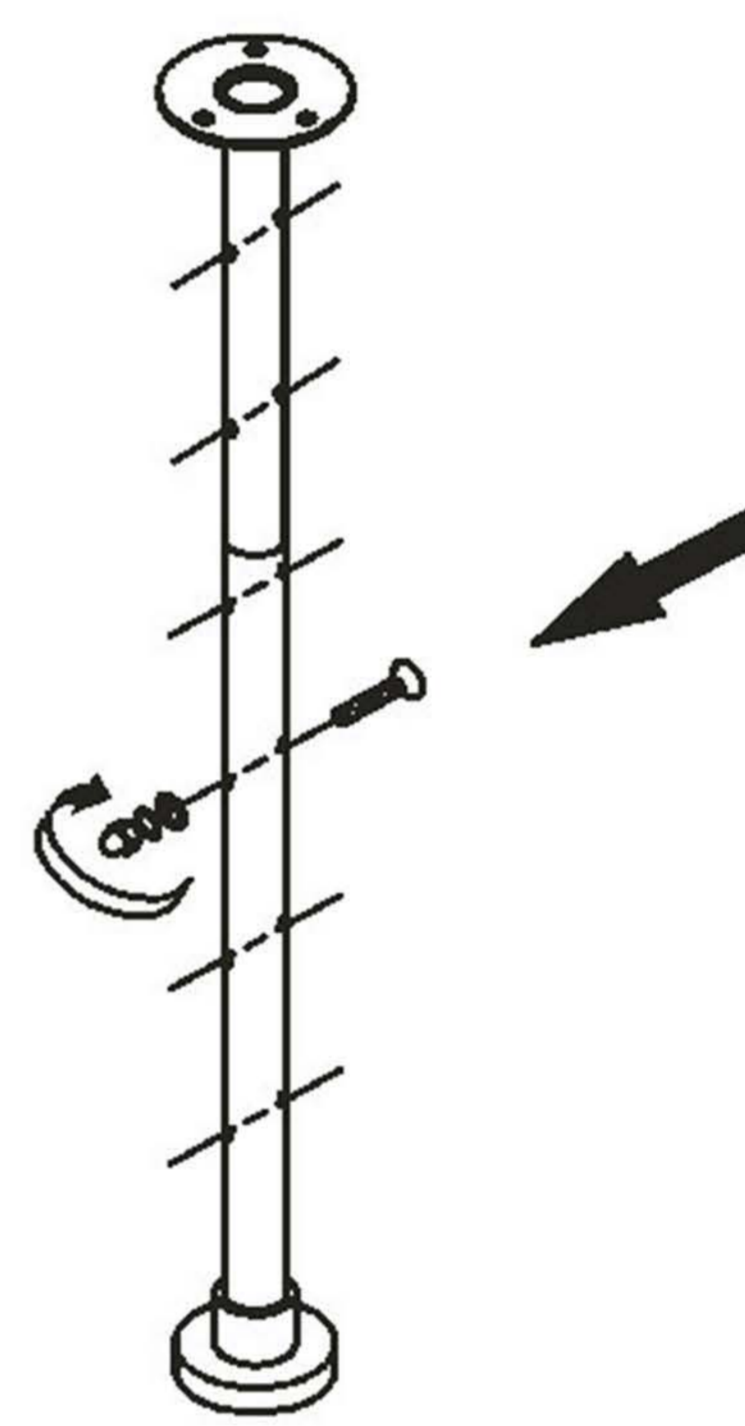


9

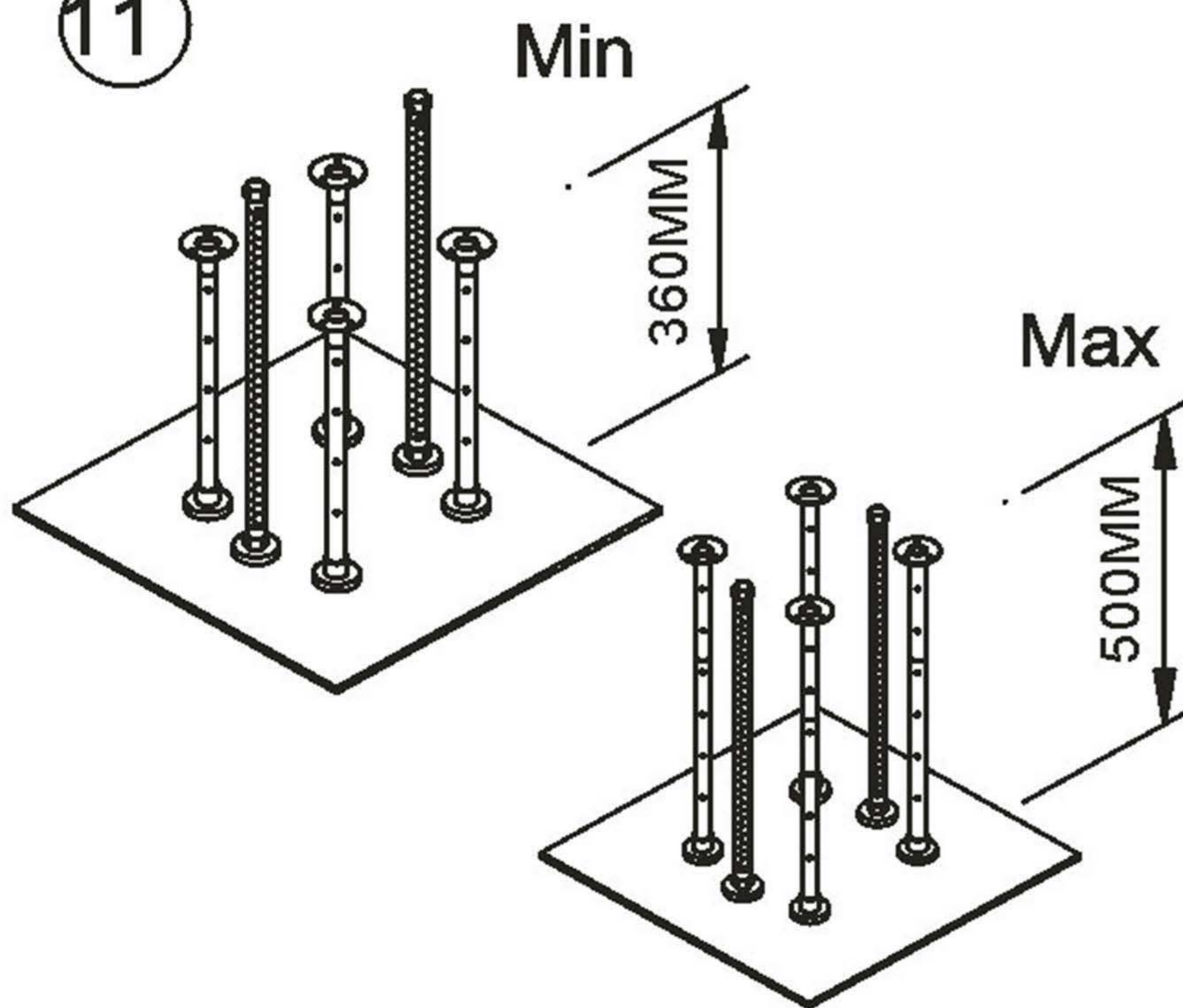


Install the showerhead according to the left figure, fix the showerarm with screw according to the right figure.

10

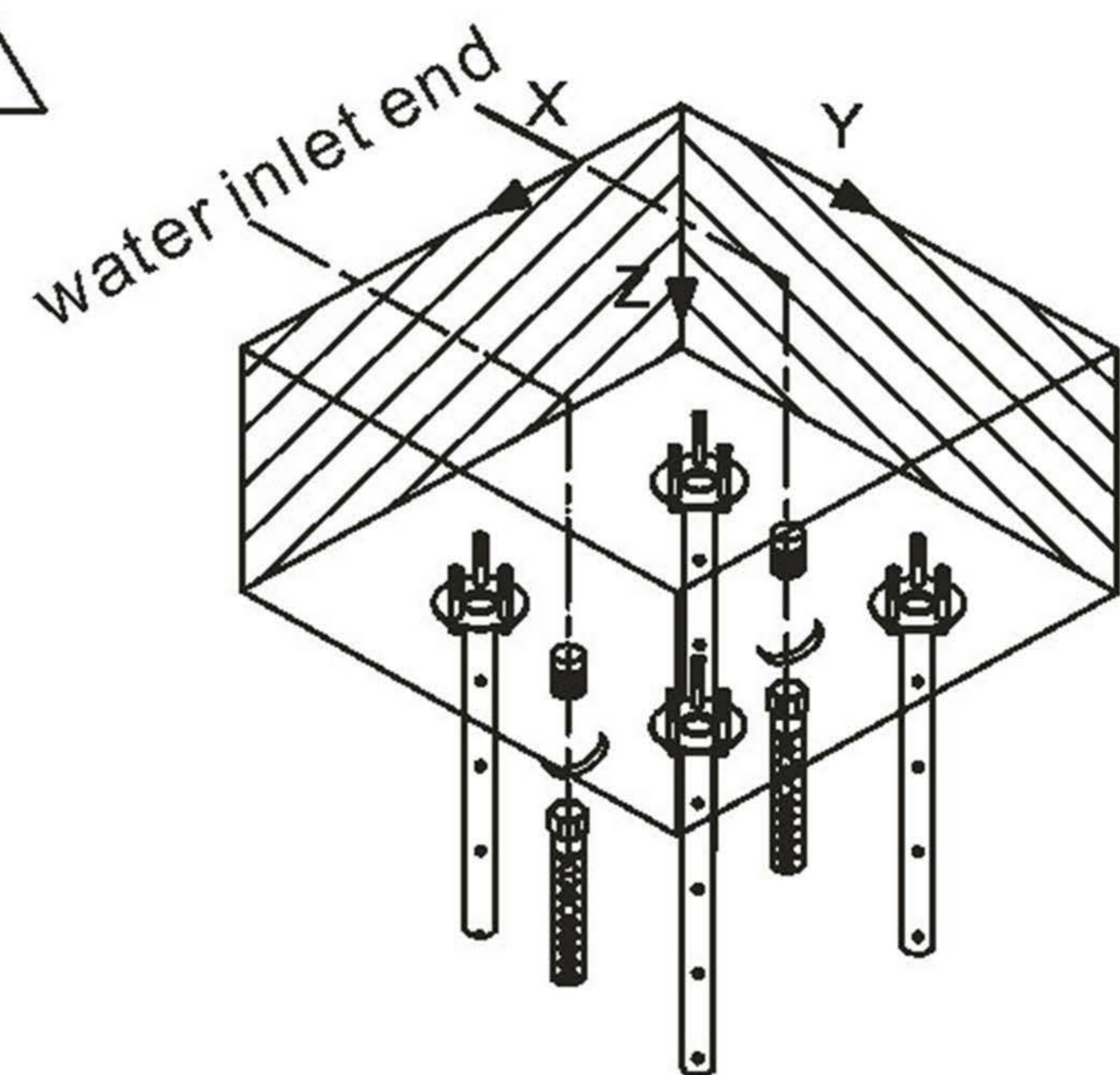


11



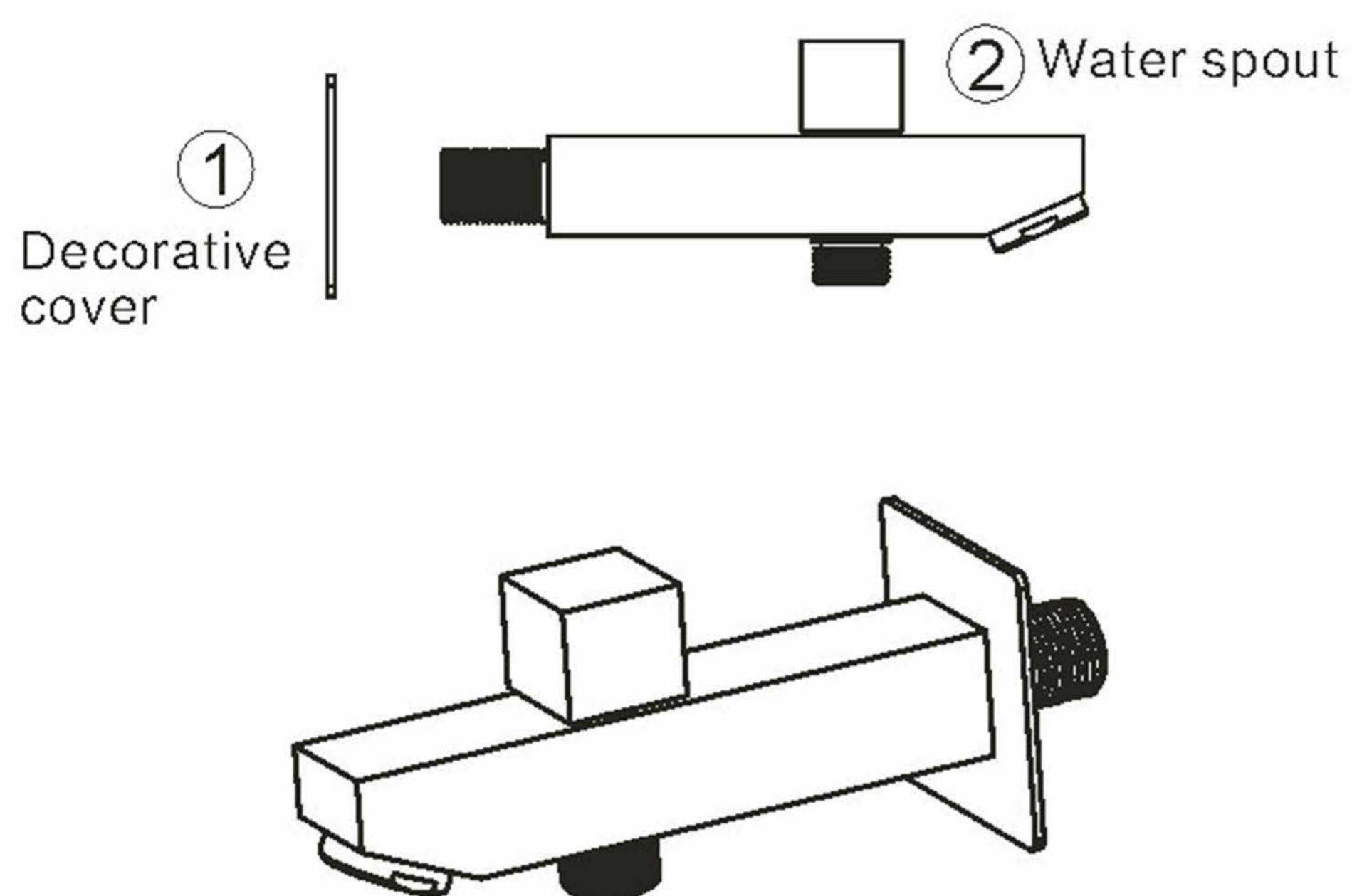
Adjust the showerhead height (refer to Figure ⑩after confirming the height).

12



The water inlet end of two-function showerhead is connected with the control valve.

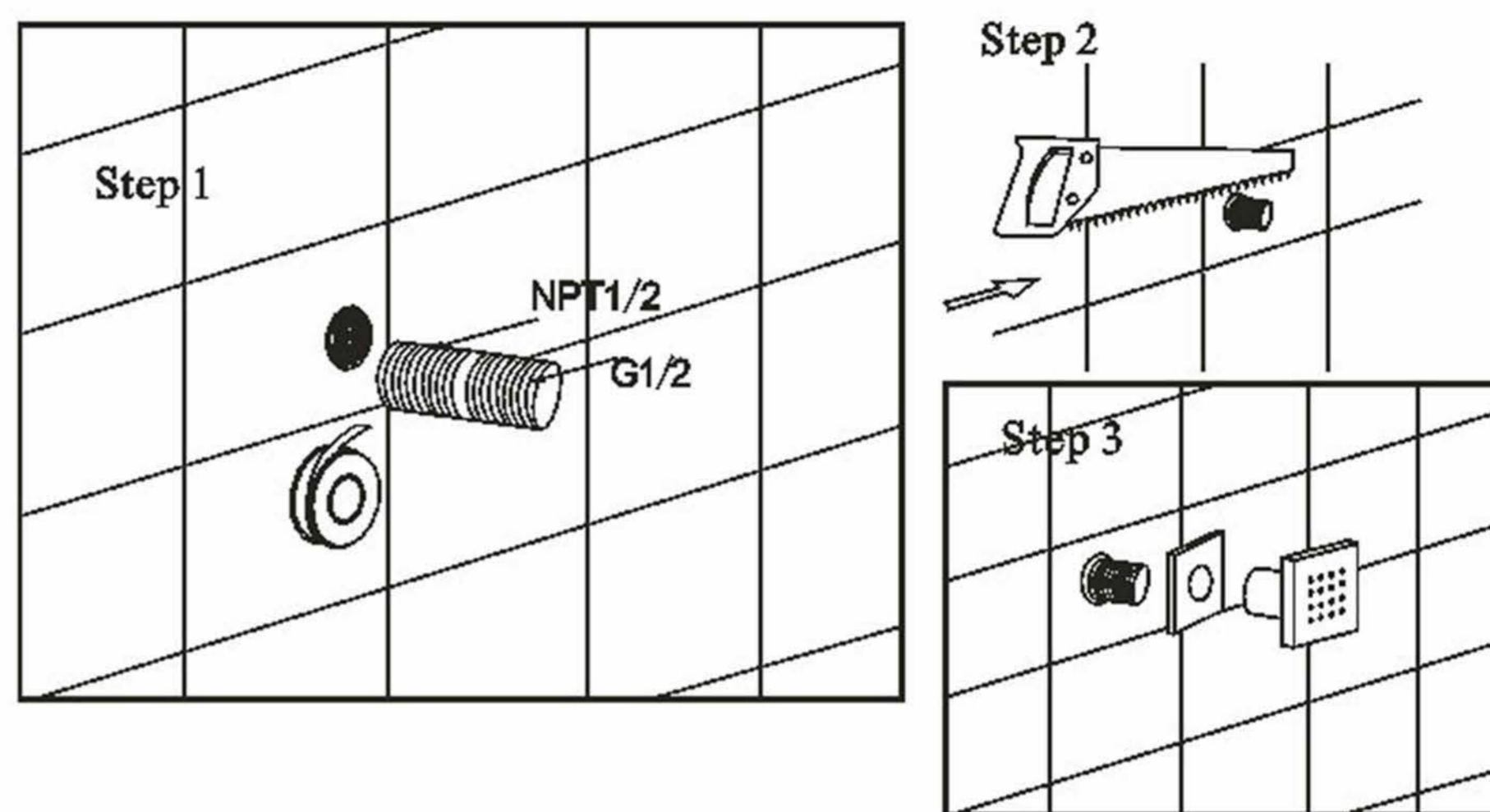
◆ Water spout installation



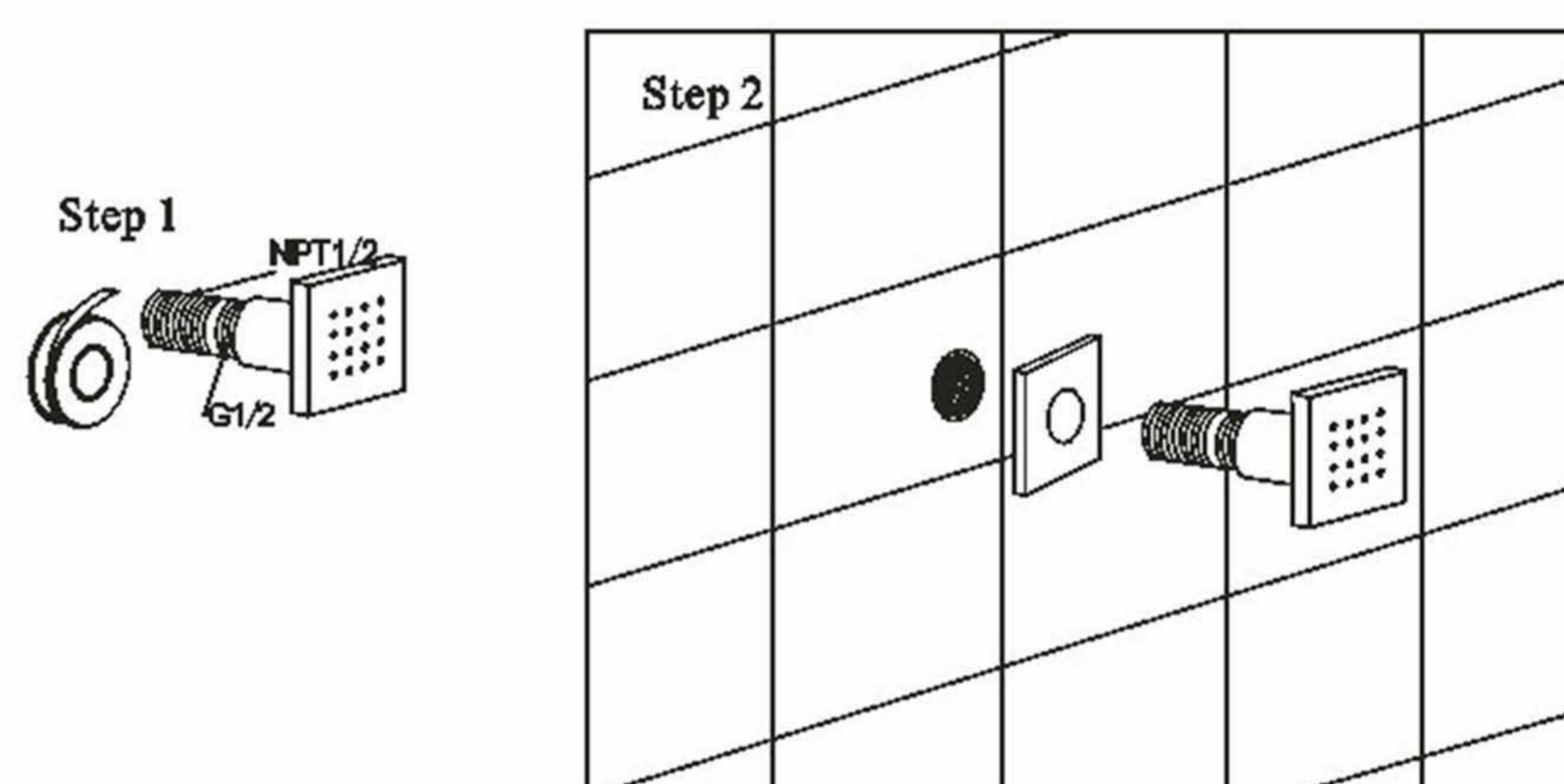
- ③ —  Cup
- ④ —  Screw
- ⑤ —  Shunt switch
- ⑥ —  Rubber washer

Install the decorative cover under the water spout, and then tighten it into the wall using the waterproof tape.

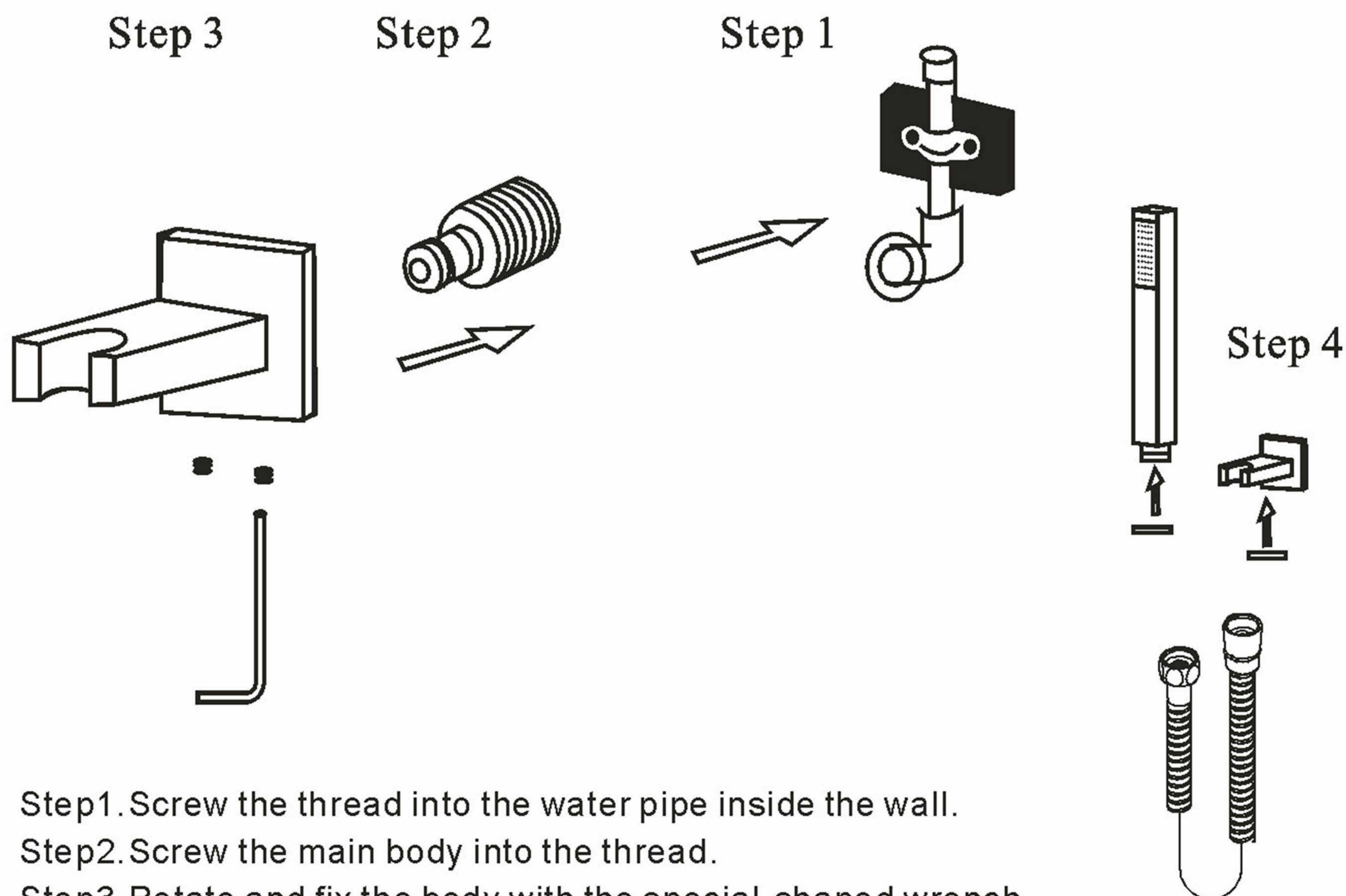
◆ Body jet installation



Step 1. Wrap the threaded pipe of NPT1/2 with Teflon tape and screw it into the wall.
 Step 2. Cut off excess part with a saw.
 Step 3. Put on the decoration cap, then screw the massage shower in.



◆ Install the hand shower holder



Step 1. Screw the thread into the water pipe inside the wall.
 Step 2. Screw the main body into the thread.
 Step 3. Rotate and fix the body with the special-shaped wrench.
 Step 4. Connect hand shower and the hose.

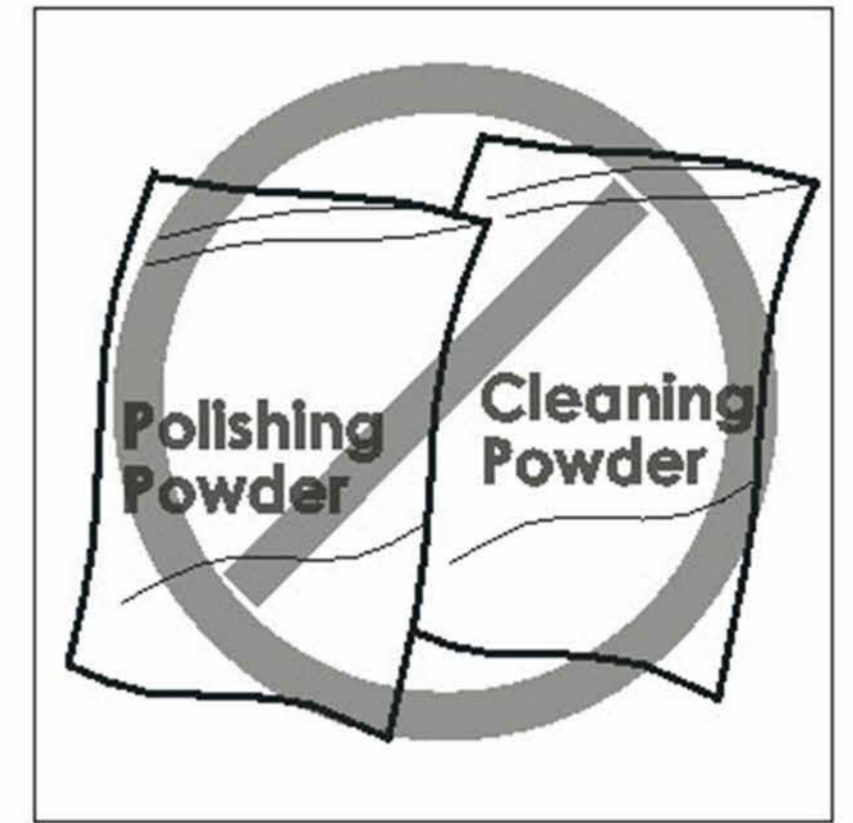
Care and Maintenance

In order to keep the mixer surface bright , please clean the mixer regularly.

Rinse faucet with clean water and wipe with soft cotton cloth.

Avoid using cleaning powder , harsh cleaning chemicals, brushes, and cloth with coarse surface to prevent scratching and corrosion.

Do not use acid cleaner to clean the faucet as it may cause surface corrosion of the faucet. If the faucet comes into contact with harmful acid substances, please rinse it with water immediately.



If a large-scale clean-up is necessary, follow these procedures:

1: Use clean water and soft cloth to remove dirt on the surface as much as possible.

2: Use one of the following cleaners to remove dirt on the surface

Mild liquid cleaner.

Colorless glass cleaner, powder cleaner which does not have abrasive function and can be dissolved completely.

Polish liquid which does not have abrasive function.

3: After cleaning, remove the cleansing agent with clean water completely and wipe with soft cotton cloth.