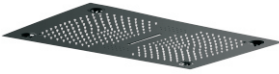
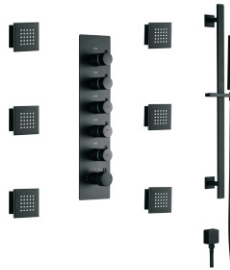
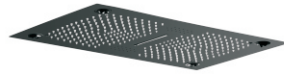


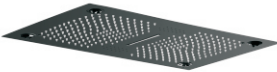
THERMOSTATIC SHOWER Series INSTALLATION GUIDE



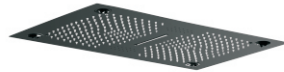
6037



6237



6236



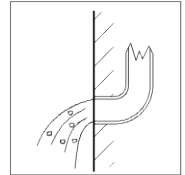
6209

CONTENT

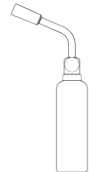
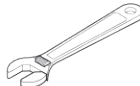
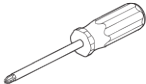
1. Installation Condition	1
2.5 Functions Luxury Thermostatic Shower Faucet (Model:6037 & 6237)	2
3. 5 Functions Luxury Thermostatic Digital Display Shower Faucet (Model:6236 & 6209)	8
4. Shower Head Installation	14
5. Body Jets Installation	20
6. Lifing Rod Installation	21
7. Care And Maintenance	22

◆ **INSTALLATION CONDITION**

1. Check the Accessories List to verify that all parts are complete in this package.
2. Do not disassemble the main body by yourself.
3. Connect inlet pipes to supply valves.
4. Make sure inlet pipes and supply valves have been installed and cleaned, with no impurities in the pipeline.
5. After installation, check all joints for leakages.
6. Do not leave the rain shower system exposed to a severely corrosive environment.



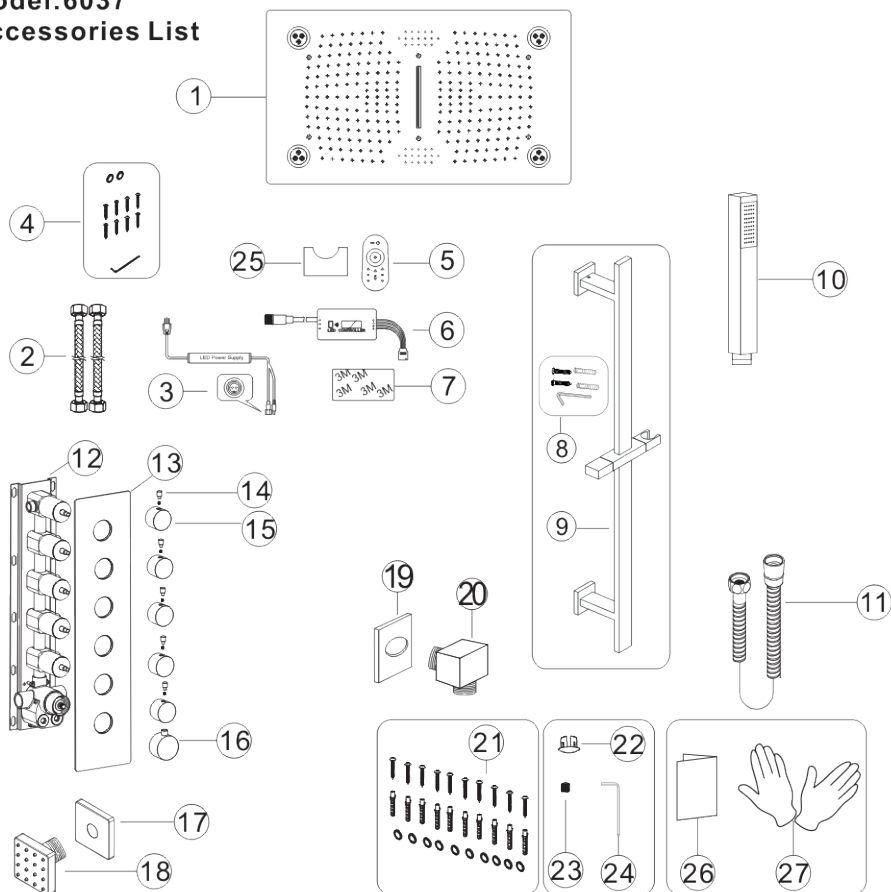
YOU MAY NEED:



◆ 5 Functions Luxury Thermostatic Shower Faucet

Model:6037

Accessories List



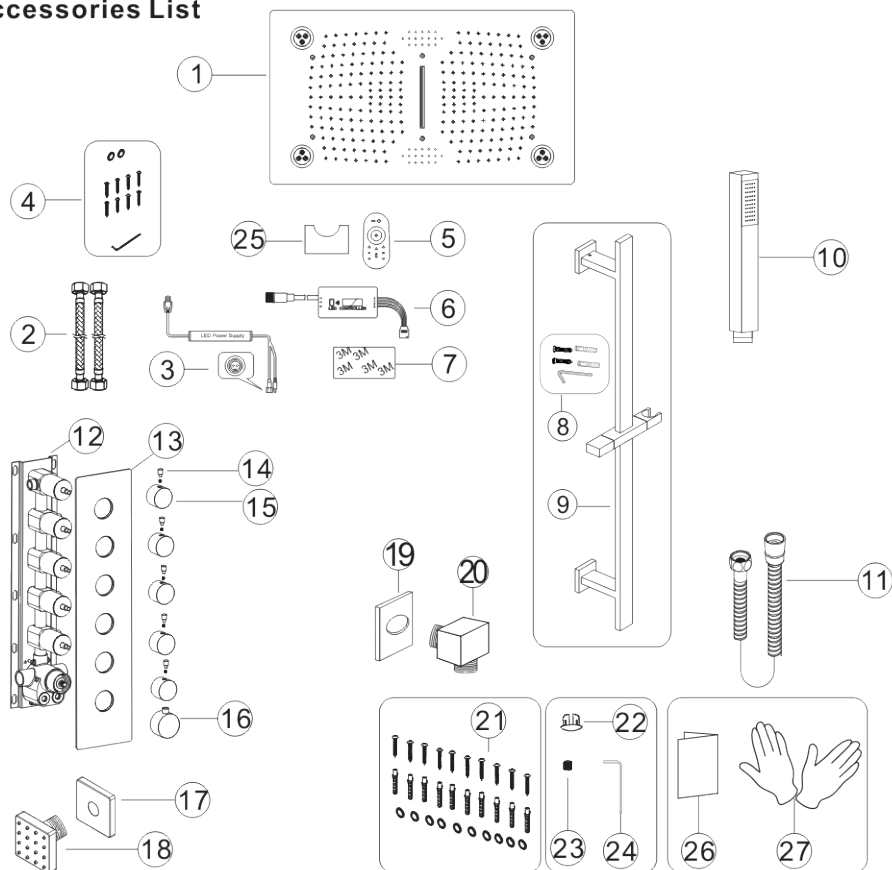
No.	Part name	Qty	No.	Part name	Qty	No.	Part name	Qty
1	Shower head body	1	12	Main body	1	23	Handle screw	1
2	Corrugated pipe	2	13	Panel	1	24	Handle Wrench	1
3	Water proof power supply	1	14	Water diverter rod	5	25	Controller pedestal	1
4	Shower head parts	1set	15	Water diverter	5	26	Instruction manual	1
5	LED Controller	1	16	Handle	1	27	Gloves	2
6	Wifi controller	1	17	Body jet cup	3			
7	Wifi controller tape	1	18	Body jet	3			
8	Lifting rod parts	2	19	Cup	1			
9	Lifting rod	1	20	Connector	1			
10	Shower hand	1	21	Valve gasket parts	10			
11	Shower hose	1	22	Handle cup	1			

WARNING: Choking hazard. Please keep all small parts and plastic bags out of the reach of children.

◆ 5 Functions Luxury Thermostatic Shower Faucet

Model:6237

Accessories List

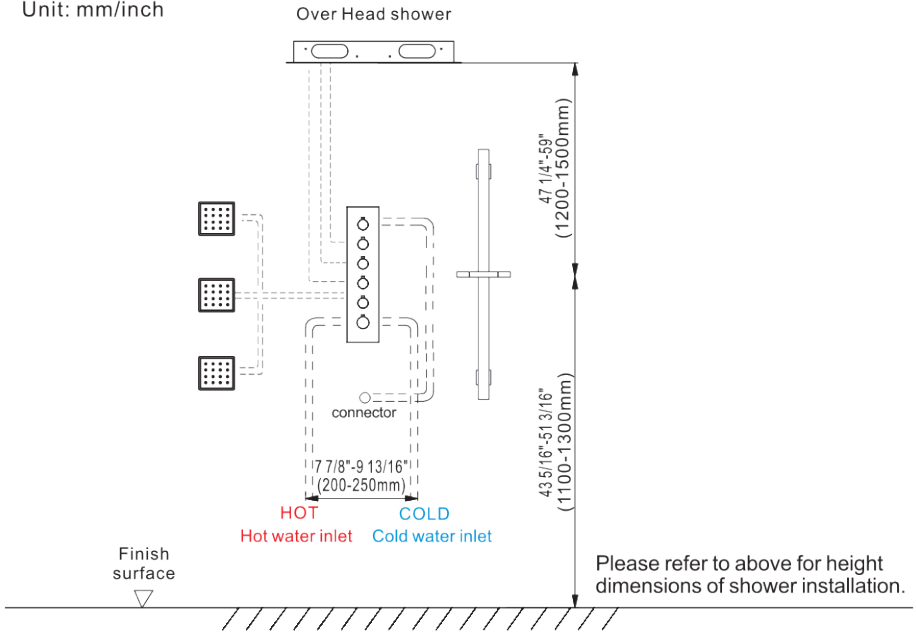


No.	Part name	Qty	No.	Part name	Qty	No.	Part name	Qty
1	Shower head body	1	12	Main body	1	23	Handle screw	1
2	Corrugated pipe	2	13	Panel	1	24	Handle Wrench	1
3	Water proof power supply	1	14	Water diverter rod	5	25	Controller pedestal	1
4	Shower head parts	1set	15	Water diverter	5	26	Instruction manual	1
5	LED Controller	1	16	Handle	1	27	Gloves	2
6	Wifi controller	1	17	Body jet cup	6			
7	Wifi controller tape	1	18	Body jet	6			
8	Lifting rod parts	2	19	Cup	1			
9	Lifting rod	1	20	Connector	1			
10	Shower hand	1	21	Valve gasket parts	10			
11	Shower hose	1	22	Handle cup	1			

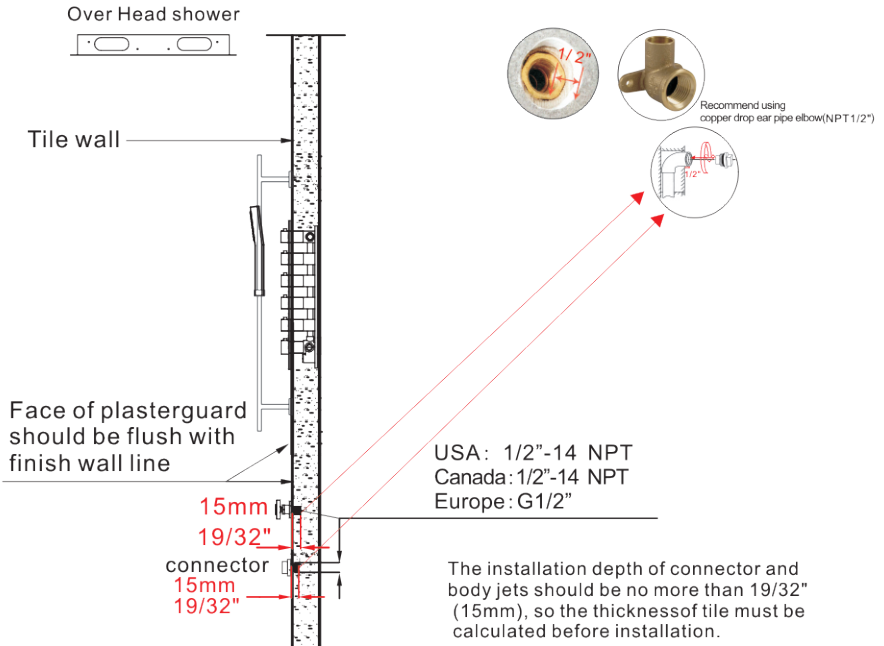
WARNING: Choking hazard. Please keep all small parts and plastic bags out of the reach of children.

◆ **Model:6037 Installation Shower Set Size & Water Pipe Line Reference**

Unit: mm/inch



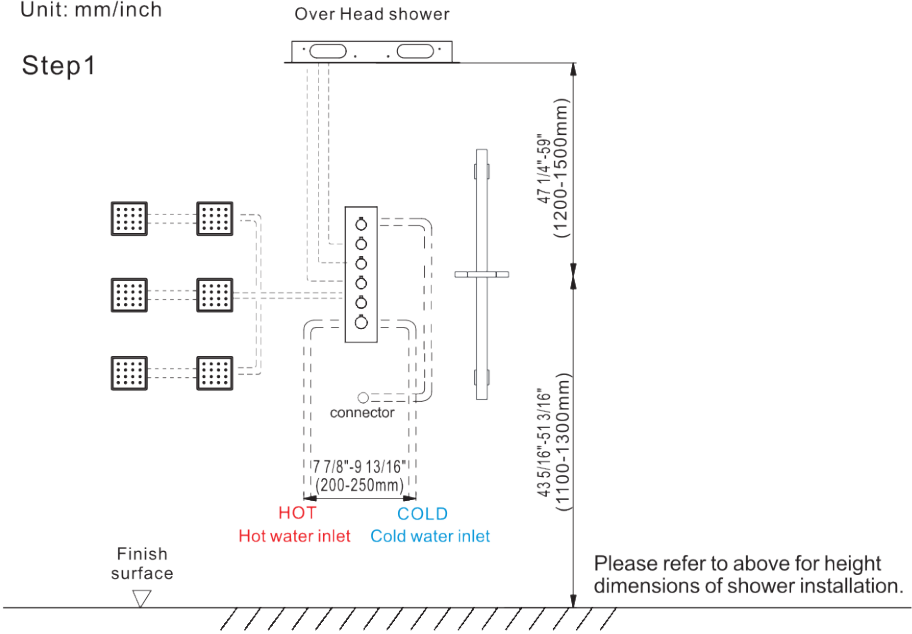
◆ **Model:6037& 6237 Installation Depth of Connector & Body Jets**



◆ Model:6237 Installation Shower Set Size & Water Pipe Line Reference

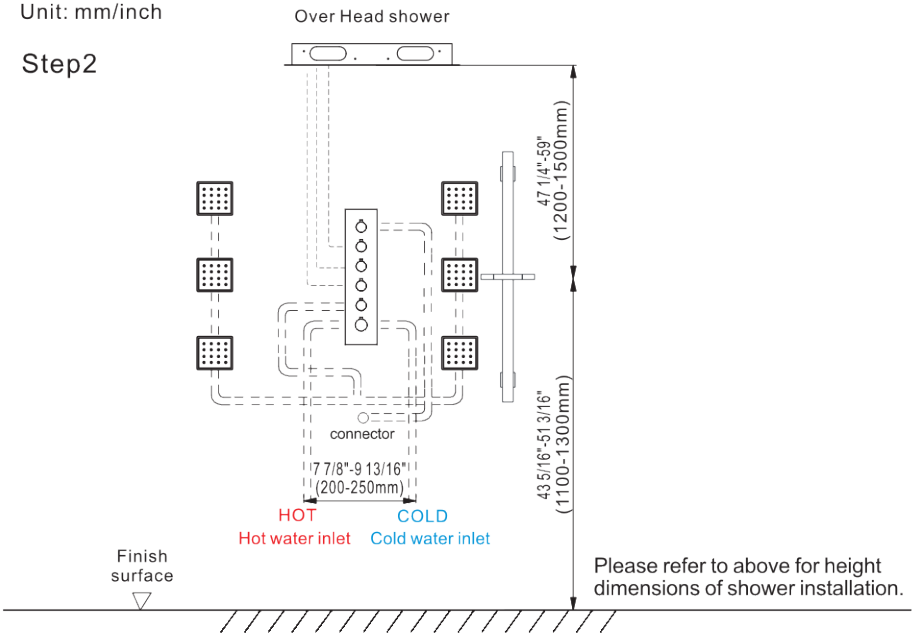
Unit: mm/inch

Step1



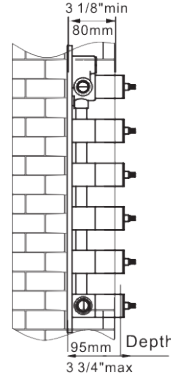
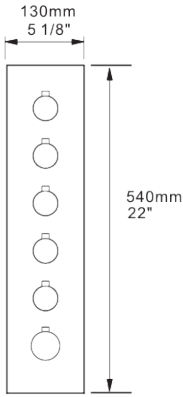
Unit: mm/inch

Step2



◆ Installation Depth of Main Body

Unit:mm/inch



⚠ The depth of main body should be in the thickness range of wall tile

Notice: 1. The installation depth of main body should be no less than 3 1/8"(80mm) and no more than 3 3/4"(95mm), including the thickness of tile. Other wise,the panel cannot be installed.

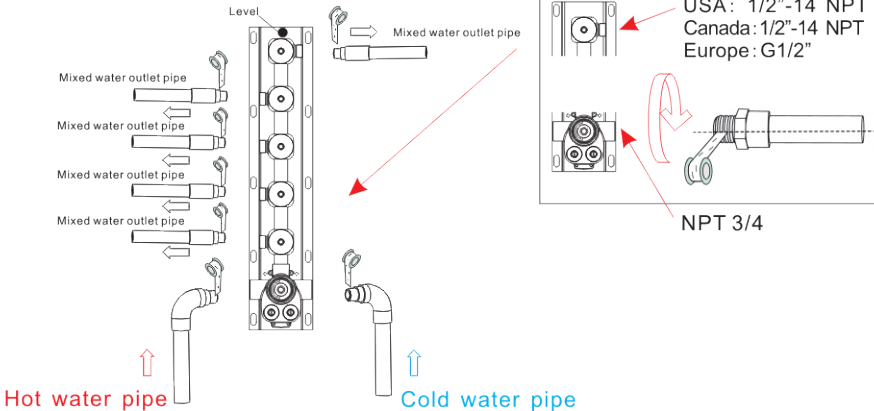
2. The opening size of ceramic tile shall be smaller than the panel size

◆ Piping Instructions Before Tiling



Warning: must install hot water and cold water inlet strictly as instructions.

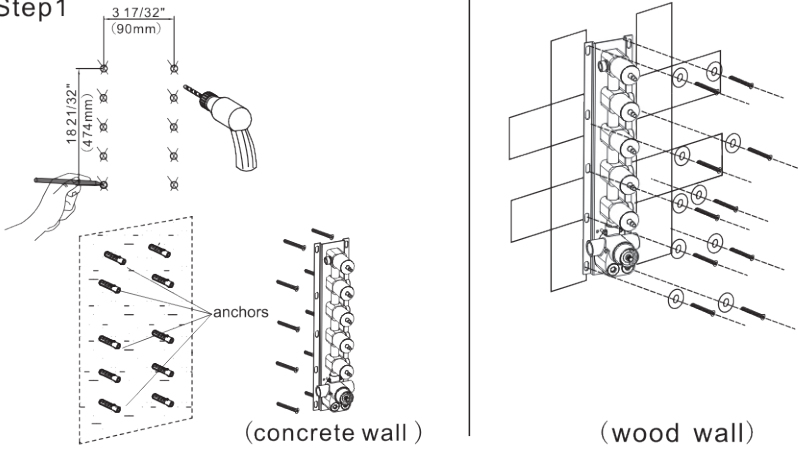
Wrap enough teflon tape



1. As shown in the figure, the inlet and outlet pipes are pre-buried. Please pay attention to the correct direction of installing the pre-buried main body, and make sure that the mark level on the top of the installation box is facing upward.
2. Install the hot and cold water inlet pipes and five mixed water outlet pipes connected to shower head, hand shower holder and body jet pipes separately.
3. Before tiling, turn on the water to test whether the left and right inlet pipes are tightly connected without leakage. Then, adjust the flow switch to be on to check the mixed outlet pipes for leakages.

◆ Main Body Valve Installation

Step1



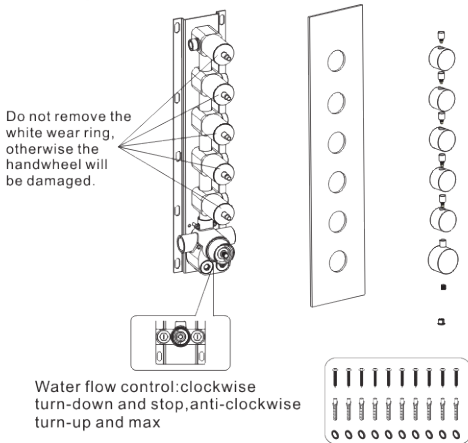
1. Make marks according to the size of the main body valve and then drill anchors into the wall (concrete wall)

2. Lock main body to wall directly with screws (wood wall)

▲ Please note that the level meter should be parallel with the wall, otherwise the panel cannot be installed.

◆ Main Body valve installation

Step2

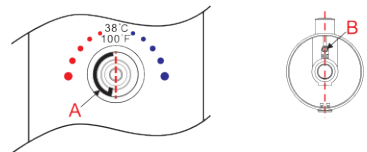


Precautions for handwheel installation

※1: The line can't misplace, it should be kept in a line, otherwise the water temperature of 100°F or 38°C will not be correct.



※2: Please ensure that A Plastic locating ring and B handwheel locating pin kept in the same line with 100°F or 38°C. Otherwise, the water temperature will be wrong.

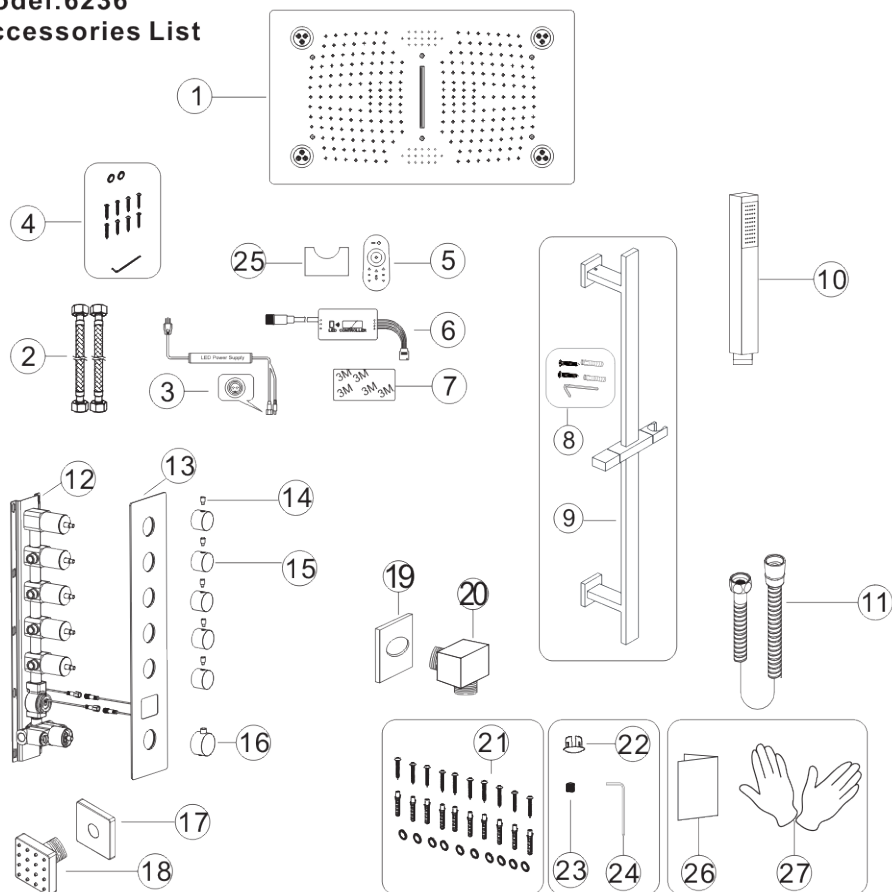


1. Please install panel, water diverters and water diverter rods step by step
2. Install the handle with the screw and handle cap.

◆ 5 Functions Luxury Thermostatic Digital Display Shower Faucet

Model:6236

Accessories List



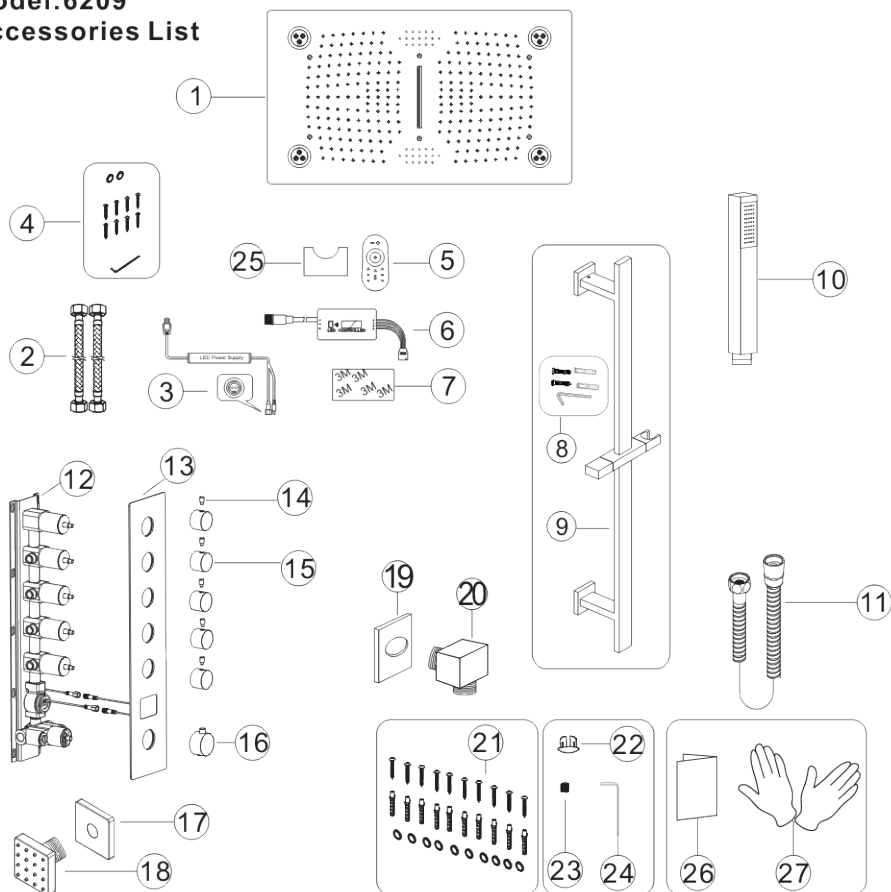
No.	Part name	Qty	No.	Part name	Qty	No.	Part name	Qty
1	Shower head body	1	12	Main body	1	23	Handle screw	1
2	Corrugated pipe	2	13	Panel	1	24	Handle Wrench	1
3	Water proof power supply	1	14	Water diverter rod	5	25	Holder Wrench	1
4	Shower head parts	1set	15	Water diverter	5	26	Instruction manual	1
5	LED Controller	1	16	Handle	1	27	Gloves	2
6	Wifi controller	1	17	Body jet cup	6			
7	Wifi controller tape	1	18	Body jet	6			
8	Lifting rod parts	2	19	Cup	1			
9	Lifting rod	1	20	Connector	1			
10	Shower hand	1	21	Valve gasket parts	10			
11	Shower hose	1	22	Handle cup	1			

WARNING: Choking hazard. Please keep all small parts and plastic bags out of the reach of children.

◆ 5 Functions Luxury Thermostatic Digital Display Shower Faucet

Model:6209

Accessories List

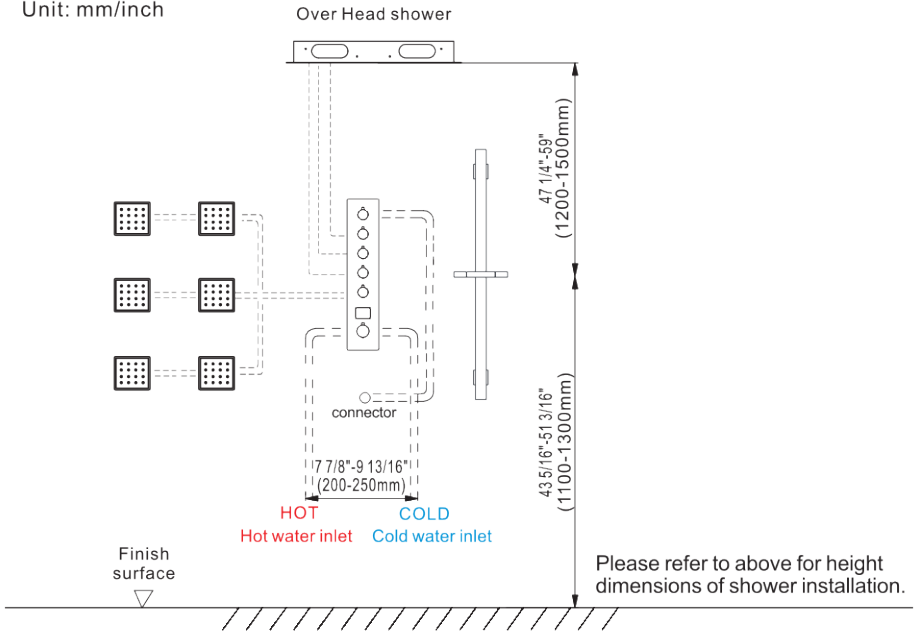


No.	Part name	Qty	No.	Part name	Qty	No.	Part name	Qty
1	Shower head body	1	12	Main body	1	23	Handle screw	1
2	Corrugated pipe	2	13	Panel	1	24	Handle Wrench	1
3	Water proof power supply	1	14	Water diverter rod	5	25	Controller pedestal	1
4	Shower head parts	1set	15	Water diverter	5	26	Instruction manual	1
5	LED Controller	1	16	Handle	1	27	Gloves	2
6	Wifi controller	1	17	Body jet cup	6			
7	Wifi controller tape	1	18	Body jet	6			
8	Lifting rod parts	2	19	Cup	1			
9	Lifting rod	1	20	Connector	1			
10	Shower hand	1	21	Valve gasket parts	10			
11	Shower hose	1	22	Handle cup	1			

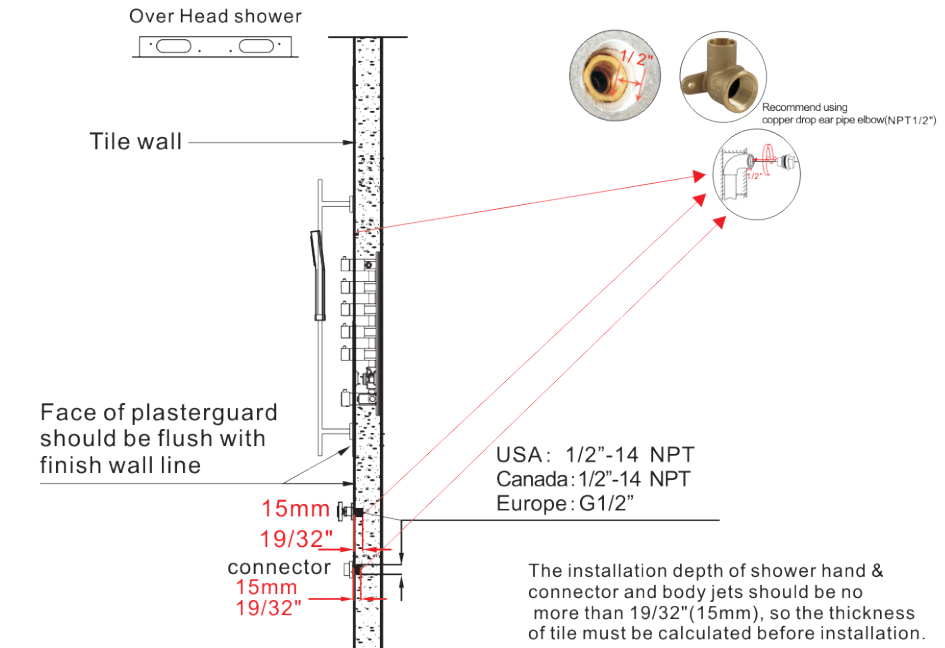
WARNING: Choking hazard. Please keep all small parts and plastic bags out of the reach of children.

◆ **Model:6236 Installation Shower Set Size & Water Pipe Line Reference**

Unit: mm/inch



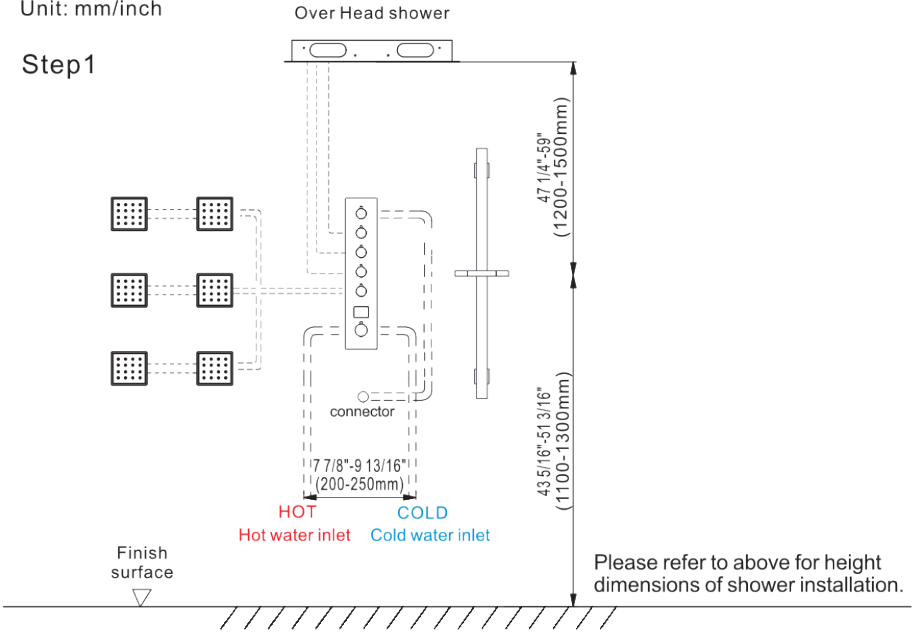
◆ **Model:6236& 6209 Installation Depth of Connector & Body Jets**



◆ **Model:6209 Installation Shower Set Size & Water Pipe Line Reference**

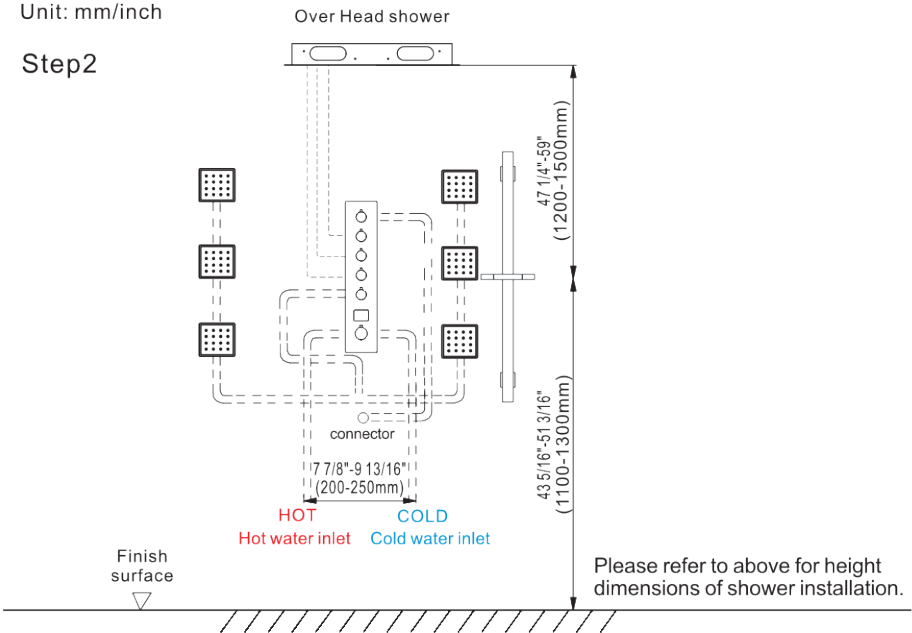
Unit: mm/inch

Step1



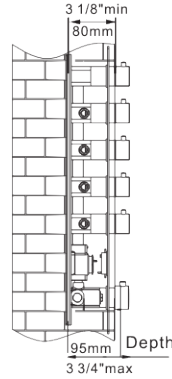
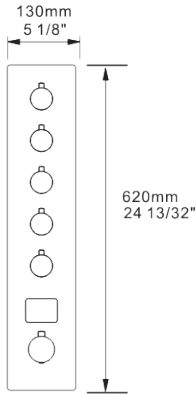
Unit: mm/inch

Step2



◆ Installation Depth of Main Body

Unit:mm/inch



! The depth of main body should be in the thickness range of wall tile

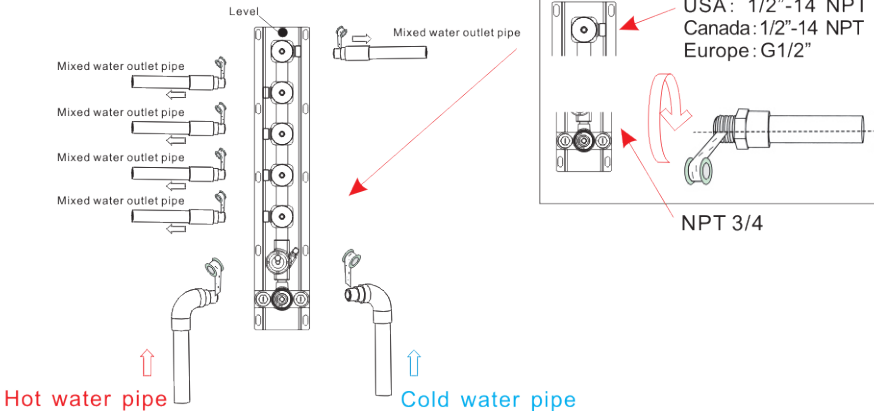
- Notice:** 1. The installation depth of main body should be no less than 3 1/8"(80mm) and no more than 3 3/4"(95mm), including the thickness of tile. Other wise,the panel cannot be installed.
2. The opening size of ceramic tile shall be smaller than the panel size

◆ Piping Instructions Before Tiling



Warning: must install hot water and cold water inlet strictly as instructions.

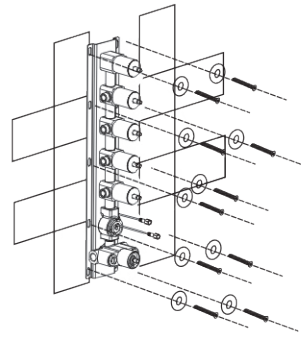
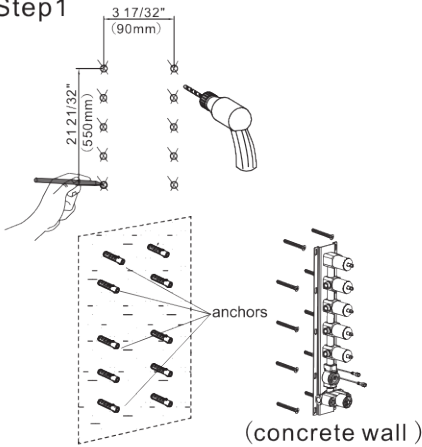
Wrap enough teflon tape



- As shown in the figure, the inlet and outlet pipes are pre-buried. Please pay attention to the correct direction of installing the pre-buried main body, and make sure that the mark level on the top of the installation box is facing upward.
- Install the hot and cold water inlet pipes and five mixed water outlet pipes connected to shower head, hand shower holder and body jet pipes separately.
- Before tiling, turn on the water to test whether the left and right inlet pipes are tightly connected without leakage. Then, adjust the flow switch to be on to check the mixed outlet pipes for leakages.

◆ Main Body Valve Installation

Step1



(concrete wall)

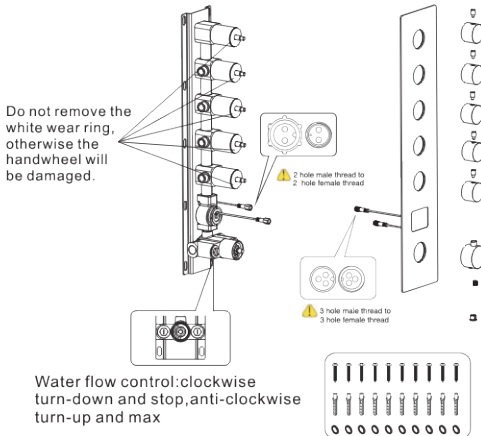
(wood wall)

1. Make marks according to the size of the main body valve and then drill anchors into the wall (concrete wall)
2. Lock main body to wall directly with screws (wood wall)

▲ Please note that the level meter should be parallel with the wall, otherwise the panel cannot be installed.

◆ Main Body valve installation

Step2

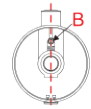
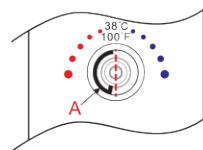


Precautions for handwheel installation

※1: The line can't misplace, it should be kept in a line, otherwise the water temperature of 100°F or 38°C will not be correct.



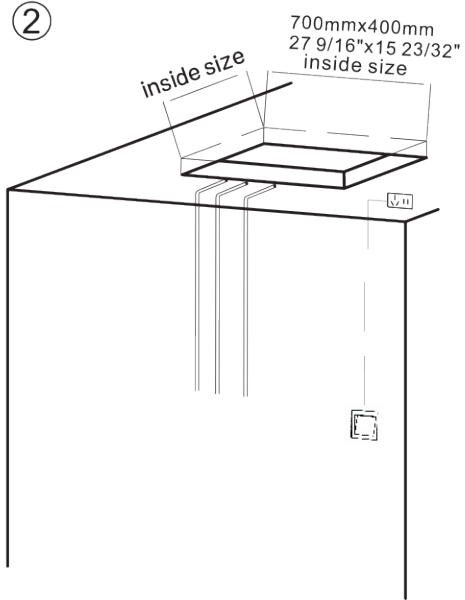
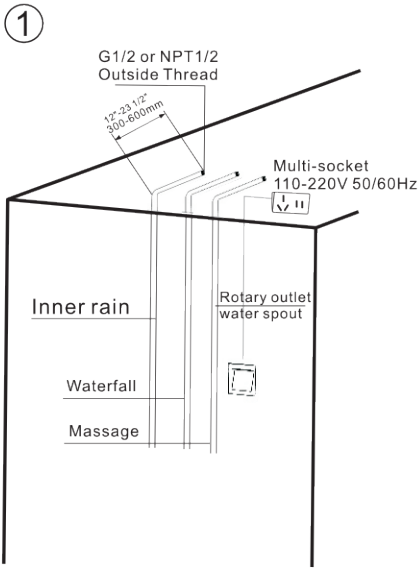
※2: Please ensure that A Plastic locating ring and B handwheel locating pin kept in the same line with 100°F or 38°C. Otherwise, the water temperature will be wrong.



1. Please install panel, water diverters and water diverter rods step by step
2. Install the handle with the screw and handle cap.

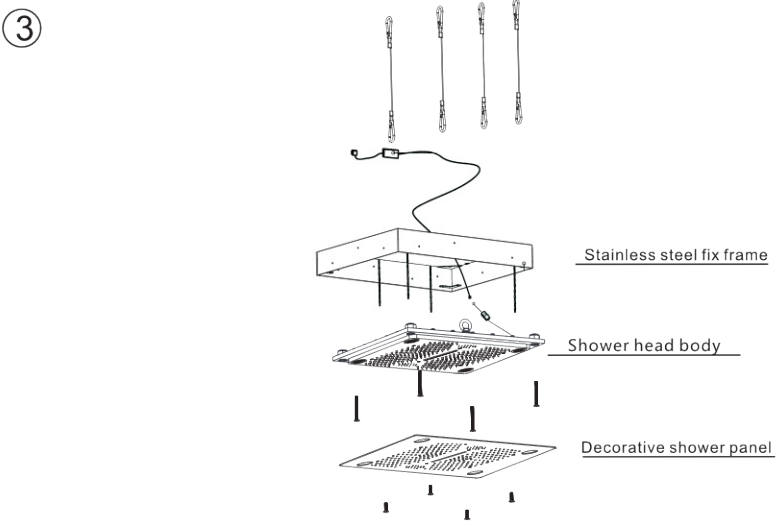
◆ Plumbing Layout of Shower Head

◆ Holes on Ceiling



Install the power switch in the appropriate position, lay out water pipeline and connect it to the main body.

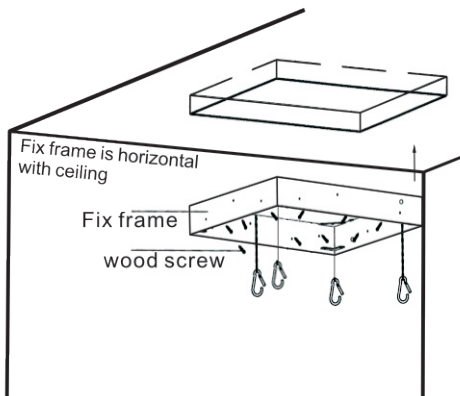
◆ Shower Head Exploded View



According to the mark (Remove Install) on the top of shower head panel, respectively unscrew the decorative shower panel, shower head body and fix frame.

◆ Fix Frame Installation

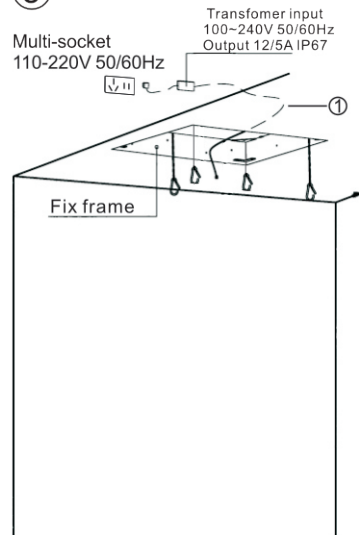
④



Fasten the fix frame to the wooden frame with 8 screws.

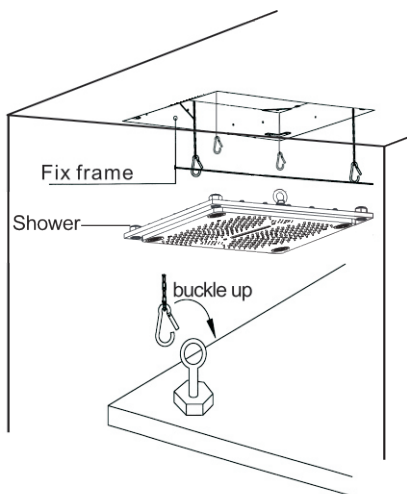
◆ Layout for Power

⑤



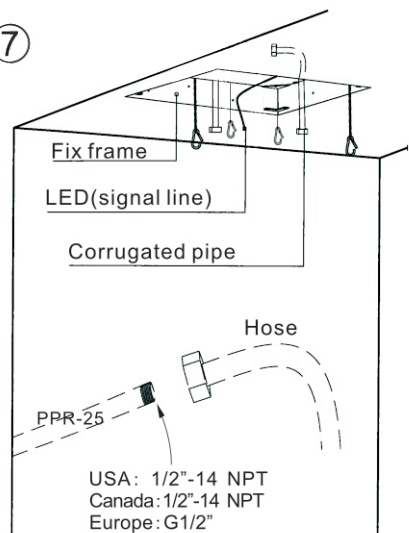
◆ Shower Head Body Installation

⑥



◆ Layout for Water Pipe

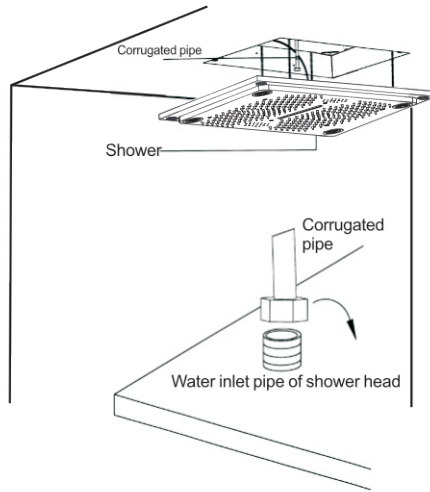
⑦



Connect one end of the corrugated pipe to the embedded PPR water pipe and the other end to the water inlet pipe on the back of shower head.

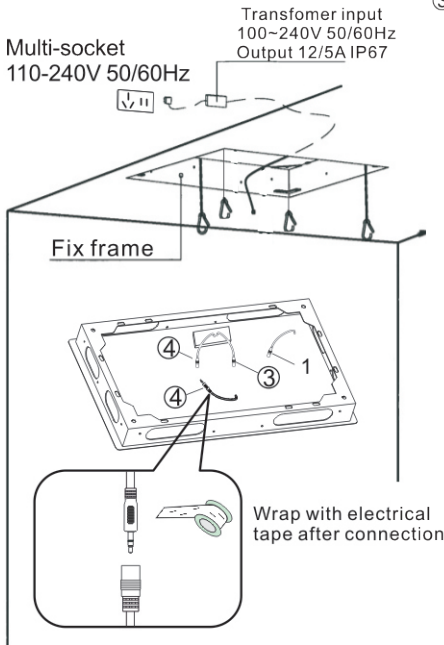
◆ Water Inlet Pipe Connection

⑧

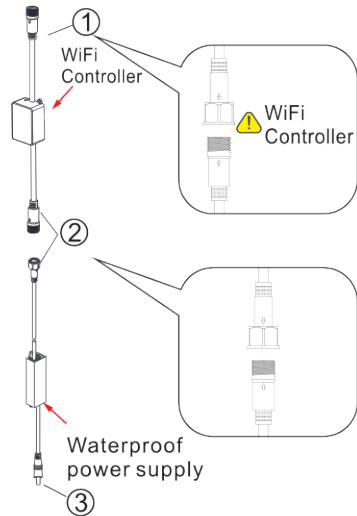


◆ LED (Single Line) Connection

⑨

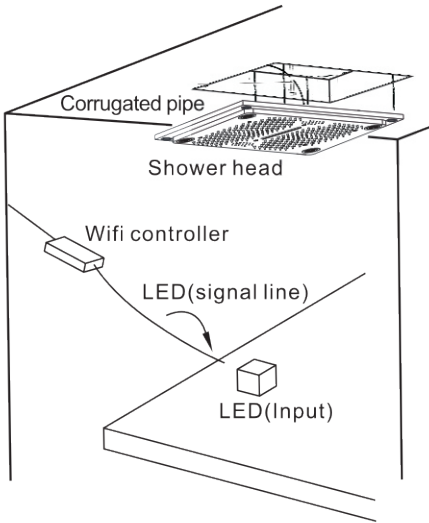


- ① to ① wifi controuer wrap it with adhesive tape to prevent it from falling off.
- ② to ② connect the Power supply and WiFi.
- ③ to ③ connect the Power supply and sound.



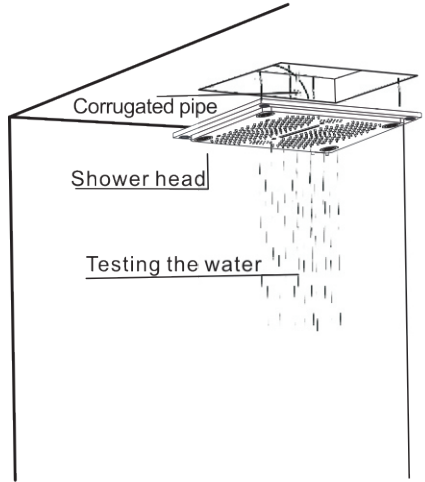
◆ LED (Single Line) Connection

⑩



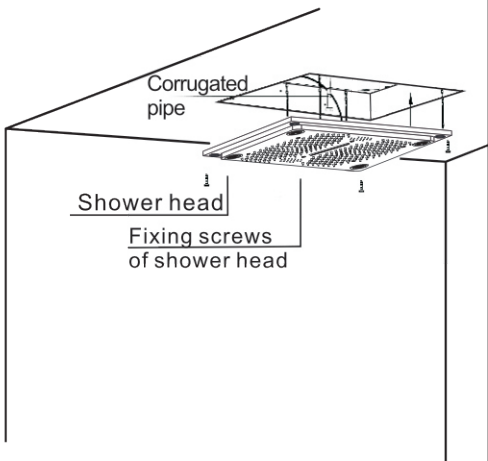
◆ Water Testing

⑪



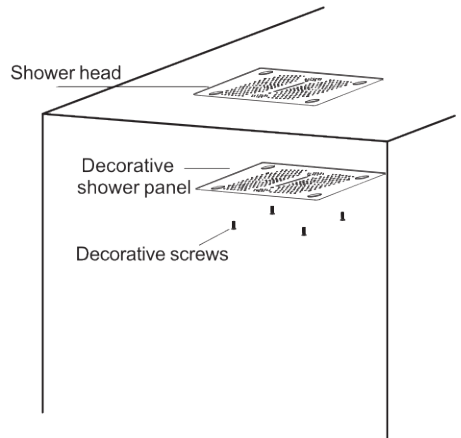
◆ Shower Head Installation

⑫



◆ Decorative Shower Panel Installation

⑬



◆ LED Touch Remote Instruction

Main parameter:

Panel controller:

Working Temp.: -20~60°C

Supply Voltage: DC12-24V

Size: L50*W35*H23mm
 1 15/16"*1 6/16"*14/16"

Output: 3 channels

Output Current: <2A(each channel)

Connection mode: common anode

Touch Remote:

Working voltage: 1.5V*3V

Emission current: 10mA

Working Current: 300uA

Standby Current: 3uA

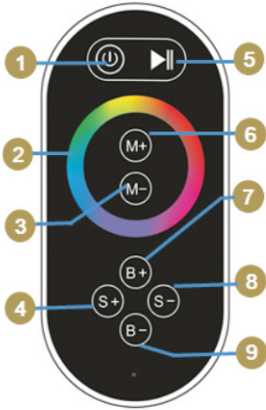
Standby time: 6 months

Control Distance: 20M

Color pulley point: 60



Touch remote has 9 touch keys, with each functioning as follows:



- ① Turn ON/OFF
- ⑤ Mode Switch
- ② Color Touch Ring
- ③/⑥ Color Temperature adjusting
- ④/⑧ Dynamic Speed adjusting
- ⑦/⑨ Dynamic Brightness adjusting

Mode:

NO.	FUNCTION	REMOTE
1	Static red	Brightness is adjustable Speed is unadjustable
2	Static green	
3	Static blue	
4	Static purple	
5	Static blue-green	
6	Static yellow	
7	Static white	
8	R G B Jumping	Brightness is adjustable Speed is adjustable
9	R G B Gradual	
10	7-Colors Jumping	
11	7-Colors Gradual	

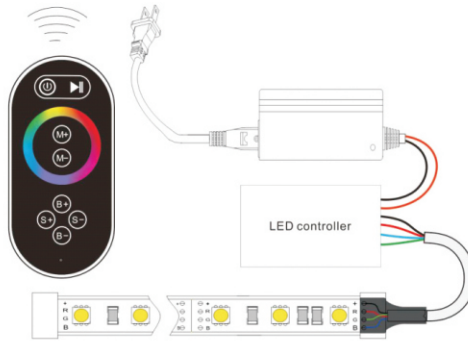
2. Power supply management:

The remote will enter the standby state (untouchable state) when pressed for more than 20s. If it happens, please slightly shake it once and then the remote will come back to the normal working state (touchable state).

3. Indicator light instruction:

- 3.1. The remote is idle or sending signal when the PWR is bright; when the PWR is off, it will enter the standby state.
- 3.2. When RF is bright, it means the remote is sending signal; off means there is no signal sending.

Controller connections shown:



Remarks:

- 1.This product should be commissioned and installed by qualified personnel.
- 2.This product can not be waterproof, need to avoid sun and rain, if installed outdoors, please use waterproof box.
- 3.Good heat dissipation conditions will extend the life of the LED controller, please install the product in a well-ventilated environment.
- 4.Please do not install or use such products in lightning, thunder, strong magnetic or high voltage applications.
- 5.Please check whether the output voltage of the LED power supply used meets the product voltage range requirements.
- 6.The diameter of the wire used must be sufficient to load the connected LED luminaire, and ensure that the wiring is firm, to avoid the wire overheating or poor contact triggers the accident.
- 7.Before power-on debugging, ensure that all wiring is correct to avoid damage to the luminaire due to wiring errors.

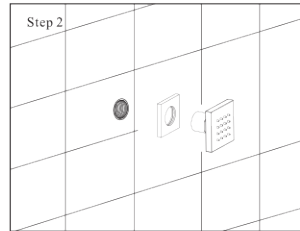
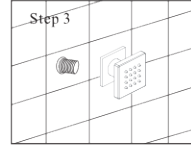
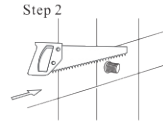
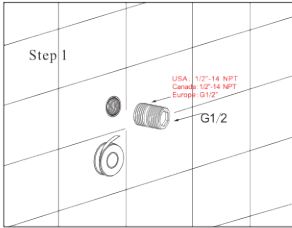
◆ **Music Connection Description**

TUSE YOUR OWN MOBILE PHONE TO FREELY CONTROL YOUR FAVORITE MUSIC

The image shows a hand holding a smartphone. The screen displays a music player interface with a play button, a progress bar, and the song title 'Nothin Like The First Time' by 'LADY ANTELLA'. The background features a colorful audio waveform. Below the phone is a Bluetooth logo and the text: 'TURN ON THE PHONE'S BLUETOOTH PAIRING TOP SPRAY BLUETOOTH ENJOY THE BATH'.

Turn on the Bluetooth of your mobile phone and find the name of the shower head Bluetooth then connect it. So that you can start playing wonderful music.

◆ Body Jets Installation



Step 1. Wrap the threaded pipe of NPT1/2 with Teflon tape and screw it into the wall.

Step 2. Cut off excess part with a saw.

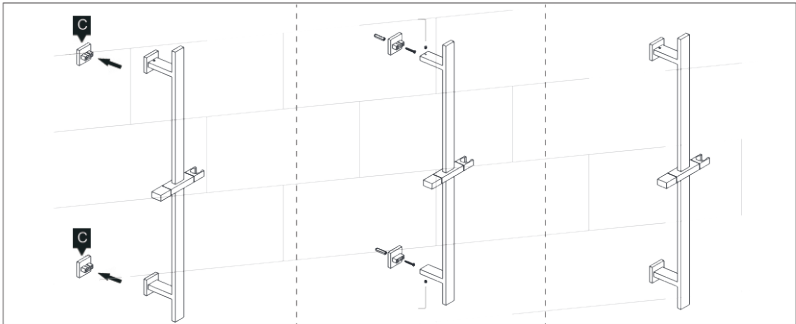
Step 3. Screw the massage body jet onto the wall.

⚠ The opening size of ceramic tile shall be smaller than the decorative cup of body jet size, otherwise it will not be installed

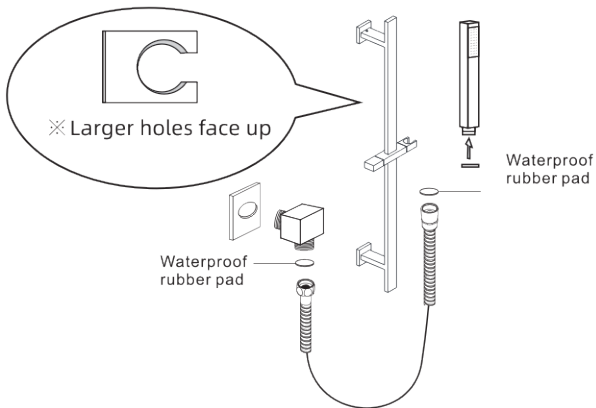
◆ LIFING ROD INSTALLATION



1. Mark the punch position with a pen, drill holes with a 6mm electric drill, knock the pellets in. Lastly, Place the base and screw in the screws.



2. Put the Shower Elevator Rack into the base, then Tighten the screw, done.



Step1. The connector to be wrapped with teflon tape, Screw the thread into the water pipe inside the wall.

Step2. Install the rubber pad on the shower hose and connect it with the connector.

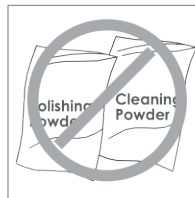
◆ CARE AND MAINTENANCE

In order to keep the mixer surface bright , please clean the mixer regularly.

Rinse faucet with clean water and wipe with soft cotton cloth.

Avoid using cleaning powder , harsh cleaning chemicals, brushes, and cloth with coarse surface to prevent scratching and corrosion.

Do not use acid cleaner to clean the faucet as it may cause surface corrosion of the faucet. If the faucet comes into contact with harmful acid substances, please rinse it with water immediately.



◆ IF A LARGE-SCALE CLEAN-UP IS NECESSARY, FOLLOW THESE PROCEDURES

1: Use clean water and soft cloth to remove dirt on the surface as much as possible.

2: Use one of the following cleaners to remove dirt on the surface

Mild liquid cleaner.

Colorless glass cleaner, powder cleaner which does not have abrasive function and can be dissolved completely.

Polish liquid which does not have abrasive function.

3: After cleaning, remove the cleansing agent with clean water completely and wipe with soft cotton cloth.