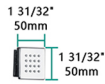
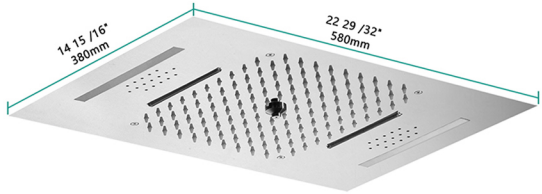


# LED MUSIC THERMOSTATIC SHOWER INSTALLATION GUIDE



Model: CSLED6680

◆ INSTALLATION CONDITION



1.Refer to the 《Standard Part List》 when unpacking ,  
check all parts available .

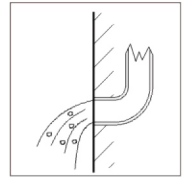
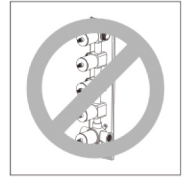
2.Do not disassemble mixer body by yourself.

3.Connect inlet hoses to supply valves.

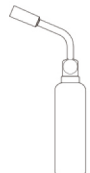
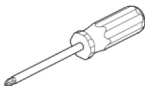
4.Make sure inlet pipes and supply valves have been  
installed and cleaned, also ensure no impurities in  
pipeline.

5.After installation , check all joints for leakages.

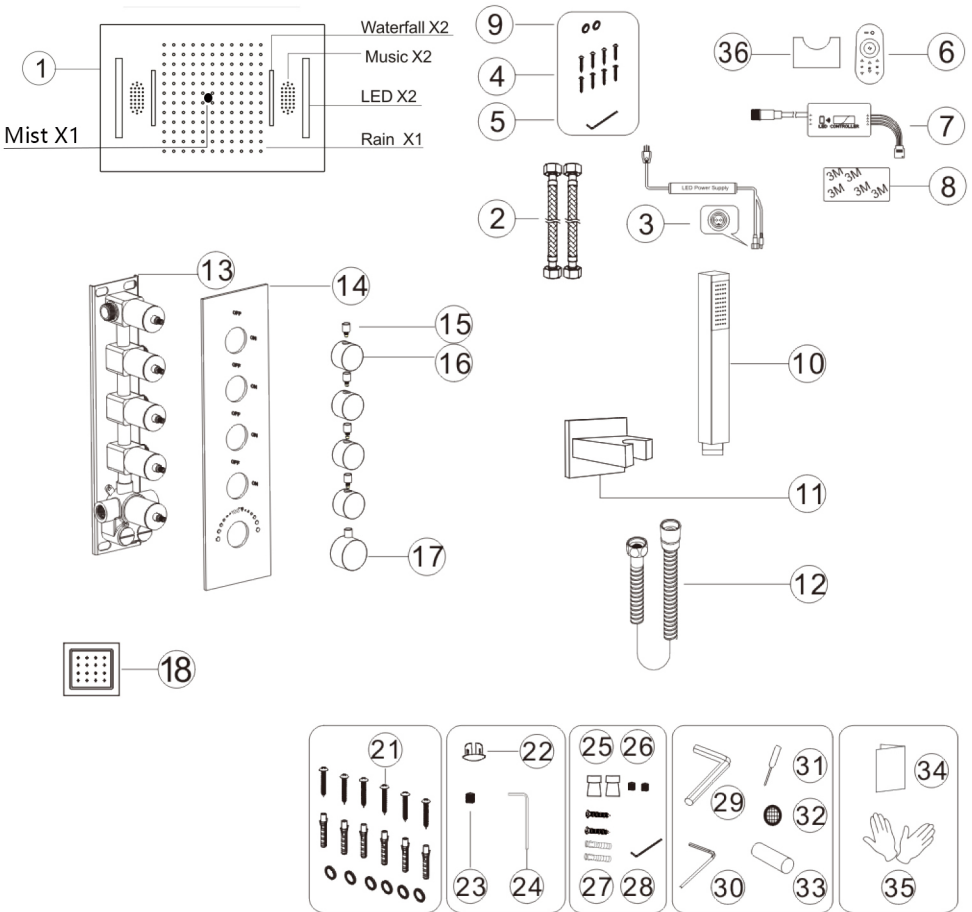
6.Suggest don't fit the faucet in the severely corrosive environments.



**YOU MAY NEED:**

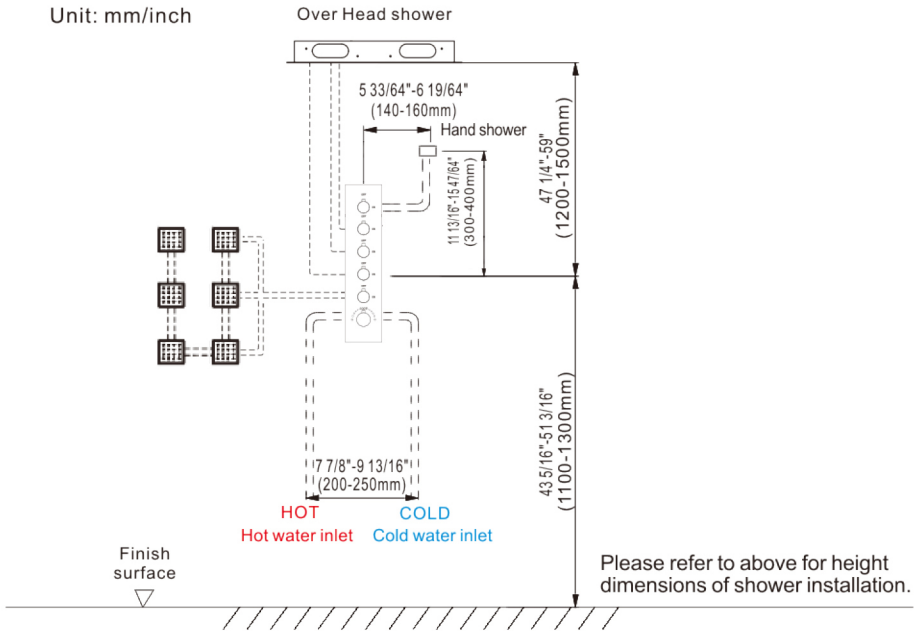


# ◆ PRODUCT LIST

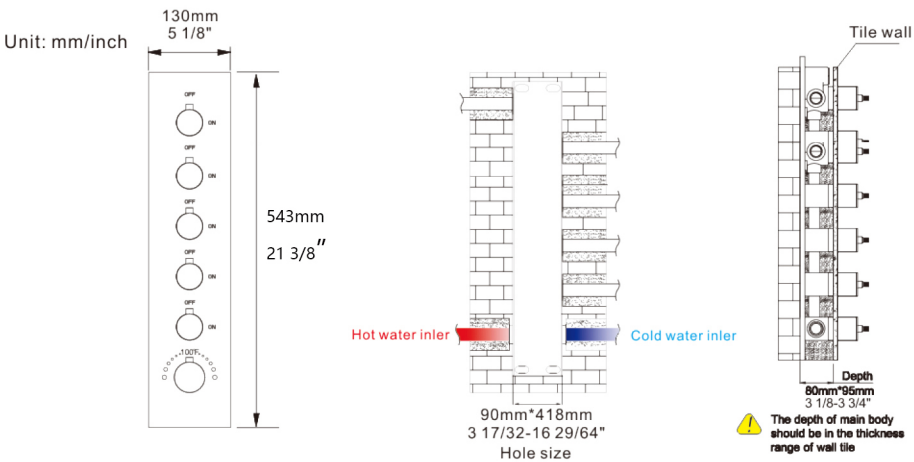


No.	Part name	Qty	No.	Part name	Qty	No.	Part name	Qty
1	Shower head body	1	13	Main body	1	25	Holder pipe	2
2	Corrugated pipe	2	14	Panel	1	26	Holder spare screw	2
3	Water proof power supply	1	15	Water diverter rod	4	27	Holder installation screw	2
4	Shower head screw	8	16	Water diverter	4	28	Holder Wrench	1
5	Shower head wrench	1	17	Handle	1	29	H10 Wrench	1
6	Controller	1	18	Body jet	6	30	H3.0 Allen key	1
7	Wifi controller	1	19		1	31	Screw driver	1
8	Wifi controller tape	1	20		1	32	Filter	3
9	Spare rubber washer	2	21	Main body gasket parts	6	33	Body jet pipe	3
10	Shower hand	1	22	Handle cup	1	34	Instruction manual	1
11	Hand shower holder	1	23	Handle screw	1	35	Gloves	2
12	Shower hose	1	24	Handle Wrench	1	36	Controller pedestal	1

## ◆ INSTALLATION SHOWER SET SIZE & WATER PIPE LINE REFERENCE

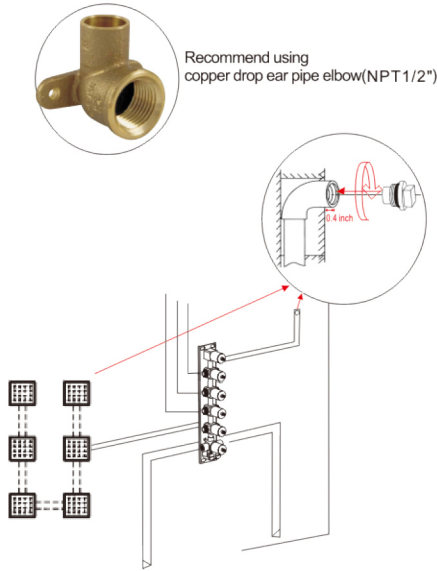


## ◆ INSTALLATION DEPTH OF MAIN BODY



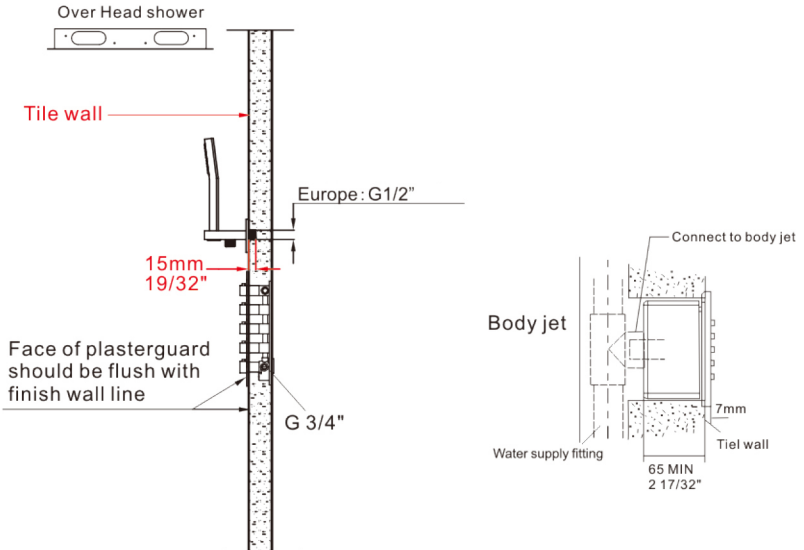
- 1: Including the thickness of ceramic tile is less than or equal to the thickness of valve 3 3/4"(95mm), so the thickness of tile must be calculated before installation.
- 2: Installation Main body depth not less than 3 1/8"(80mm)min and not more than 3 3/4"(95mm) Max. Otherwise, the panel cannot be installed.
- 3: The hole size of the main body after tiling is smaller than the size of the panel.

◆ **CEILING MOUNTED INSTALLATION BEFORE TILING**



1: Recommend using Copper drop ear pipe elbow (NPT 1/2 )  
 USA: 1/14 NPT 2 -Canada: 1/2"-14 NPT Europe: G1/2"

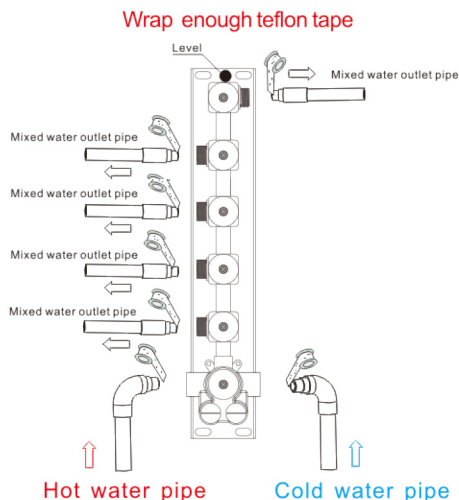
◆ **INSTALLATION DEPTH OF SHOWER HOLDER & BODY JET**



The installation depth of shower holder can't over 19/32" (15mm) so the thickness of tile must be calculated before installation.

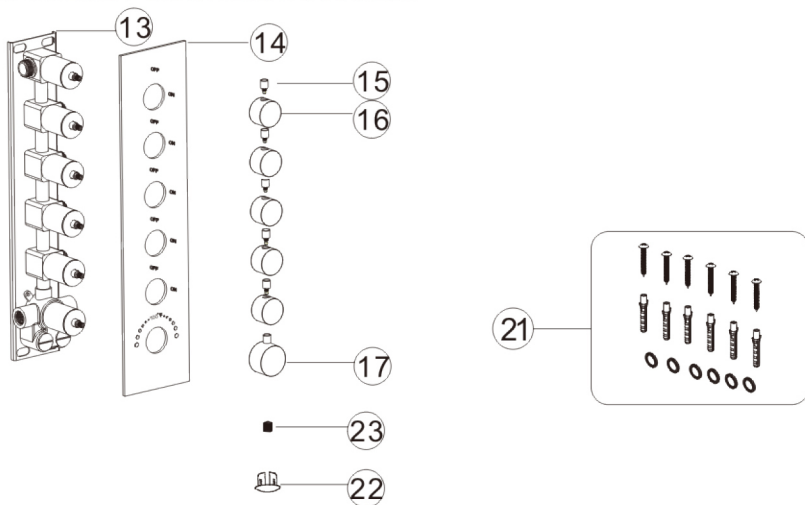
## ◆ MAIN BODY CONNECTING PIPE SCHEMATIC DIAGRAM

 Warning: must install hot water and cold water inlet strictly as instructions.



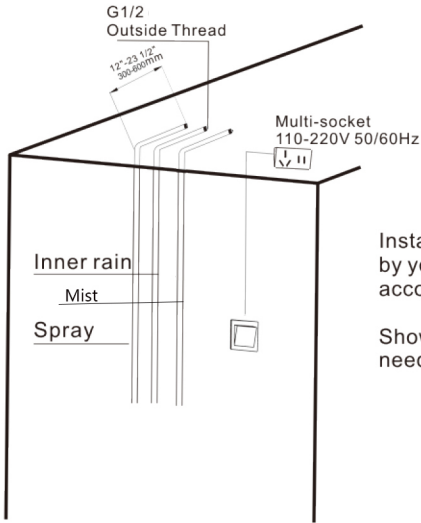
1. As shown in the figure, the inlet and outlet pipes are pre-buried, pay attention to the correct direction of installing the pre-buried main body, and make sure that the mark level on the top of the installation box is facing upward.
2. Install the hot and cold water inlet pipes, Shower head and hand shower holder body jet pipes. Turn on the water source to test whether the left and right inlet pipes are tightly connected without leakage. After the test, adjust the flow switch to be on to test whether the mixed outlet pipe. The connection is tight and there is no leakage.

## ◆ MAIN BODY VALVE INSTALLATION



Use <sup>21</sup> Valve gasket spare parts and to fixed <sup>13</sup> Main body on the wall and then install <sup>14</sup> Panel <sup>17</sup> Hand <sup>23</sup> Hand screw and <sup>22</sup> Hand cup <sup>16</sup> Water diverter <sup>15</sup> Water diverter rod in the correct order.

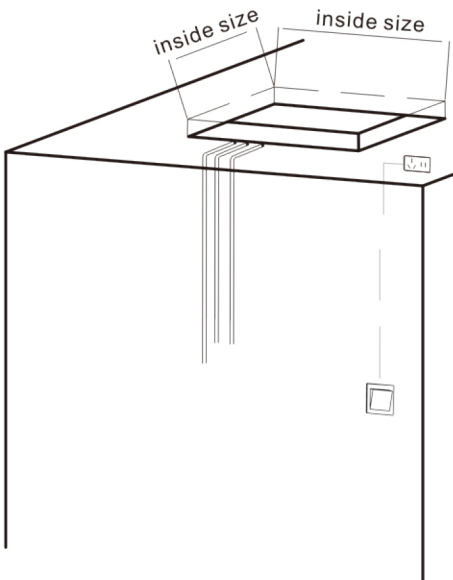
## ◆ Shower head power/water pipe-layout



Install the power switch in the appropriate position by yourself. Water pipes should be arranged according to the showerhead function.

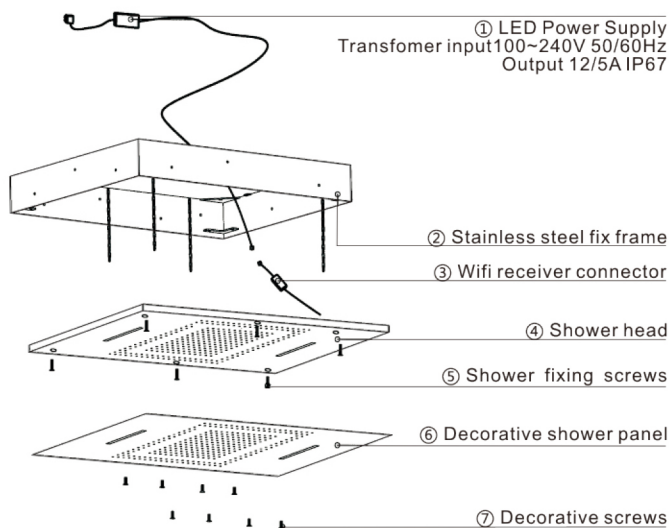
Shower head, 3 inlet pipes need to be laid out, Waterfall and Inner rain and mist.

## ◆ Shower head holes on ceiling



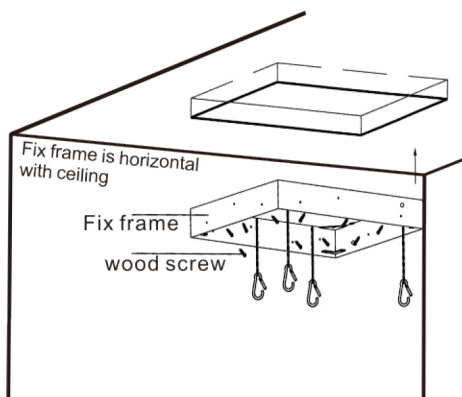
Shower head  
Shower hole inside size 385x385mm  
15 5/32" \* 15 5/32"

## ◆ Shower head intelligent exploded view

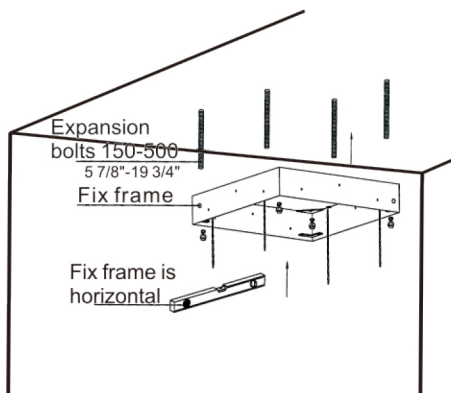


Respectively to unscrew ⑦ Decorative screws, separate ⑥ Decorative shower panel and ④ Shower head; Respectively to unscrew ⑤ Shower fixing screws, separate ④ Shower head and ② Stainless steel fix frame.

### ◆ Shower head installation fixed frame A:



### ◆ Shower head installation fixed frame B:



There are two methods to fix ② Stainless steel fix frame.

A: Use screws to fix directly;

B: Use of expansion bolts 150-500mm 5 7/8"-19 3/4".



## ◆ Touch Remote Instruction

### Main parameter:

#### Panel controller:

Working Temp.: -20~60°C

Supply Voltage: DC12-24V

Size: L50\*W35\*H23mm

1 15/16" \* 1 6/16" \* 14/16"

Output: 3 channels

Output Current: <2A (each channel)

Connection mode: common anode

#### Touch Remote:

Working voltage: 1.5V\*3V

Emission current: 10mA

Working Current: 300uA

Standby Current: 3uA

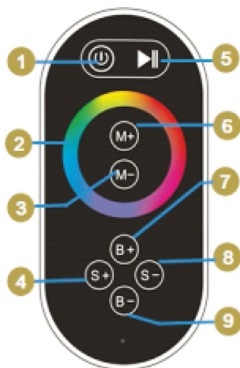
Standby time: 6 months

Control Distance: 20M

Color pulley point: 60



Touch remote has 9 touch keys, with each functioning as follows:



- ① Turn ON/OFF
- ⑤ Mode Switch
- ② Color Touch Ring
- ③/⑥ Color Temperature adjusting
- ④/⑧ Dynamic Speed adjusting
- ⑦/⑨ Dynamic Brightness adjusting

### 2. Power supply management:

The remote will enter the standby state (untouchable state) when pressed for more than 20s. If it happens, please slightly shake it once and then the remote will come back to the normal working state (touchable state).

### 3. Indicator light instruction:

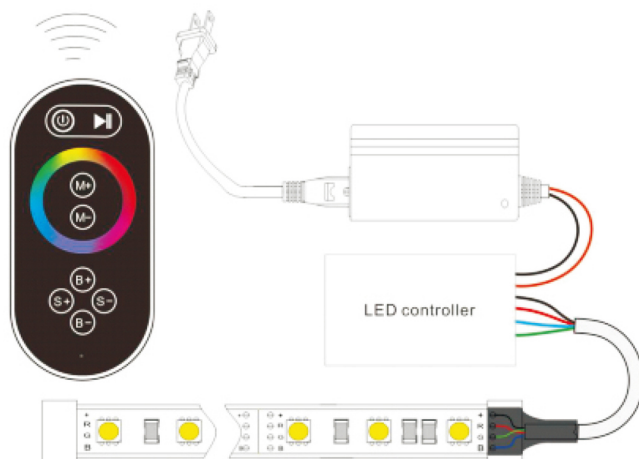
3.1. The remote is idle or sending signal when the PWR is bright; when the PWR is off, it will enter the standby state.

3.2. When RF is bright, it means the remote is sending signal; off means there is no signal sending.

Mode:

NO.	FUNCTION	REMOTE
1	Static red	Brightness is adjustable Speed is unadjustable
2	Static green	
3	Static blue	
4	Static purple	
5	Static blue-green	
6	Static yellow	
7	Static white	
8	R G B Jumping	Brightness is adjustable Speed is adjustable
9	R G B Gradual	
10	7-Colors Jumping	
11	7-Colors Gradual	

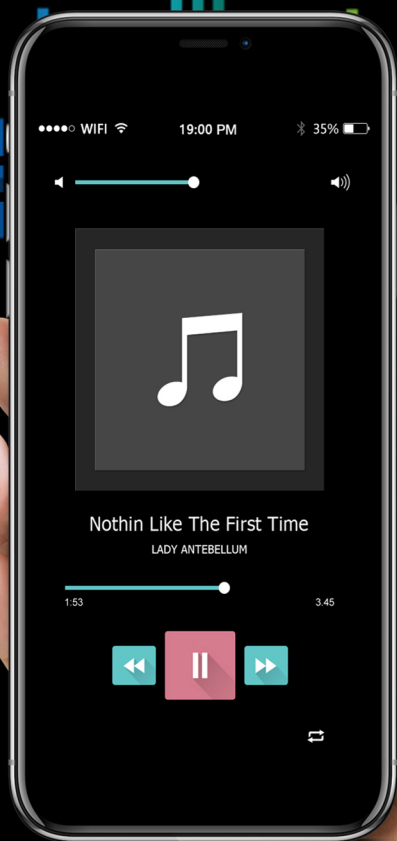
Controller connections shown:



**Remarks:**

1. This product should be commissioned and installed by qualified personnel.
2. This product can not be waterproof, need to avoid sun and rain, if installed outdoors, please use waterproof box.
3. Good heat dissipation conditions will extend the life of the LED controller, please install the product in a well-ventilated environment.
4. Please do not install or use such products in lightning, thunder, strong magnetic or high voltage applications.
5. Please check whether the output voltage of the LED power supply used meets the product voltage range requirements.
6. The diameter of the wire used must be sufficient to load the connected LED luminaire, and ensure that the wiring is firm, to avoid the wire overheating or poor contact triggers the accident.
7. Before power-on debugging, ensure that all wiring is correct to avoid damage to the luminaire due to wiring errors.

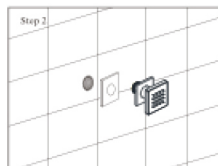
# TUSE YOUR OWN MOBILE PHONE TO FREELY CONTROL YOUR FAVORITE MUSIC



TURN ON THE PHONE'S BLUETOOTH PAIRING  
TOP SPRAY BLUETOOTH  
ENJOY THE BATH

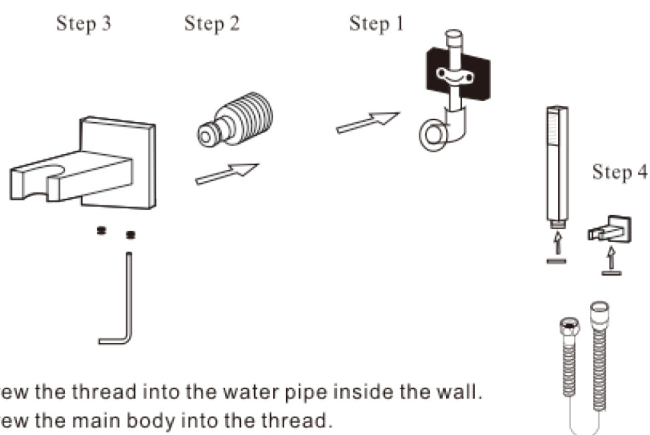
# ACCESSORIES INSTALLATION

## ◆ Body Jets Installation



- Step 1. Wrap the threaded pipe of NPT1/2 with Teflon tape and screw it into the wall.  
Step 2. Cut off excess part with a saw.  
Step 3. Screw the massage body jet onto the wall.

## ◆ Hand Shower Holder Installation



- Step 1. Screw the thread into the water pipe inside the wall.  
Step 2. Screw the main body into the thread.  
Step 3. Rotate and fix the body with the special-shaped wrench.  
Step 4. Connect hand shower and the hose.

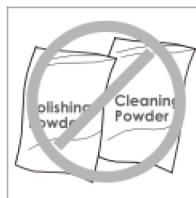
## ◆ CARE AND MAINTENANCE

In order to keep the mixer surface bright , please clean the mixer regularly.

Rinse faucet with clean water and wipe with soft cotton cloth.

Avoid using cleaning powder , harsh cleaning chemicals, brushes, and cloth with coarse surface to prevent scratching and corrosion.

Do not use acid cleaner to clean the faucet as it may cause surface corrosion of the faucet. If the faucet comes into contact with harmful acid substances, please rinse it with water immediately.



---

### ◆ IF A LARGE-SCALE CLEAN-UP IS NECESSARY, FOLLOW THESE PROCEDURES:

1: Use clean water and soft cloth to remove dirt on the surface as much as possible.

2: Use one of the following cleaners to remove dirt on the surface

Mild liquid cleaner.

Colorless glass cleaner, powder cleaner which does not have abrasive function and can be dissolved completely.

Polish liquid which does not have abrasive function.

3: After cleaning, remove the cleansing agent with clean water completely and wipe with soft cotton cloth.