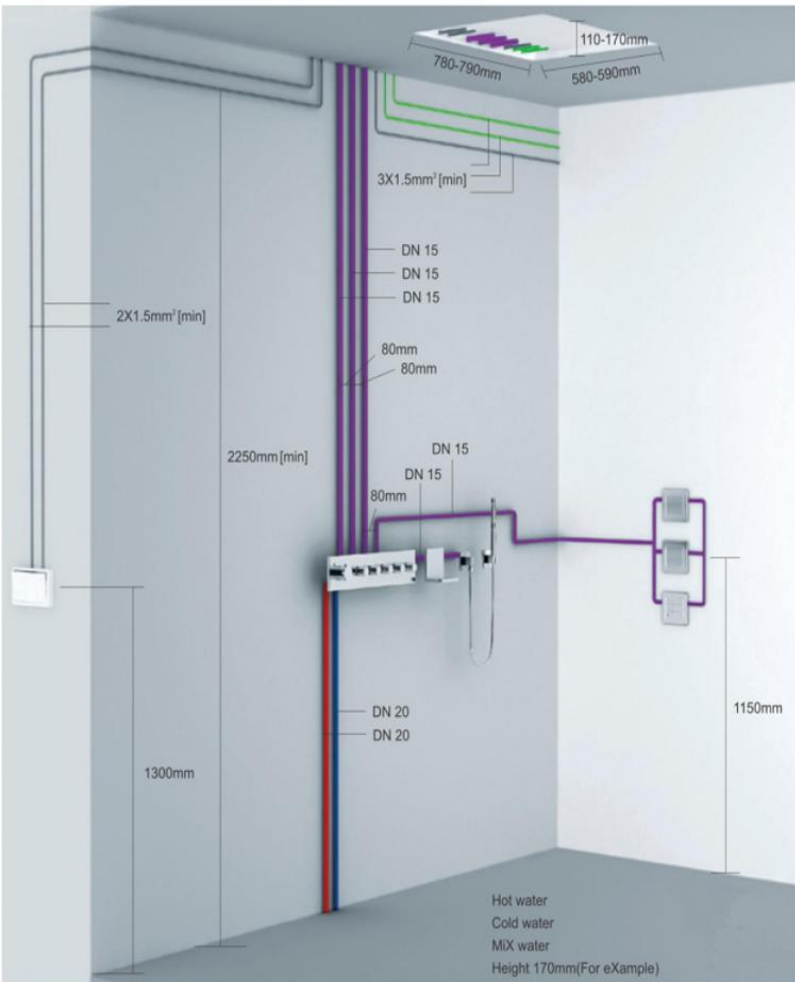


Installation Manual For 23"x31" LED Music Shower System With Body Jets



Project Condition

Requirements of bathroom

1. Wet and dry area must be separated and the electronic switch should must be installed in dry area.
2. The area of bathroom should be watertightness and decorated by anti-skidding tile.

Project Condition

Requirements of building

3. Ceiling thickness should be strong enough to install the 3201 luXurious shower head which net weight is 25KG and reaches above 35KG when shower.
4. Ceiling height should be above 2.3M that can not affect the shower and the aesthetic effects.
5. Wall thickness should be above 15CM that make sure the pre-hidden and installation of facuet.

Requirements of drainage

6. Water supply

The biggest work pressure:0.8Mpa The perfect work pressure:15 °-65°
The highest water temperature:70C °The perfect water temperature:15C°-65C°

The number of shower people is determined the lowest hot water supply that everyone can fully enjoy the shower.

The lowest hot water supply of this shower system should be at least above 250L.

7. The connection pipe of input and output water.

Two 3/4 (cold,hot) input water pipe Five 1/2 miXed water output pipe.

Attention: All water pipe must be washed the deposit before connect all components of shower system(faucet, shower head and body shower) in order to avoid damage and block.

8. Drainage system

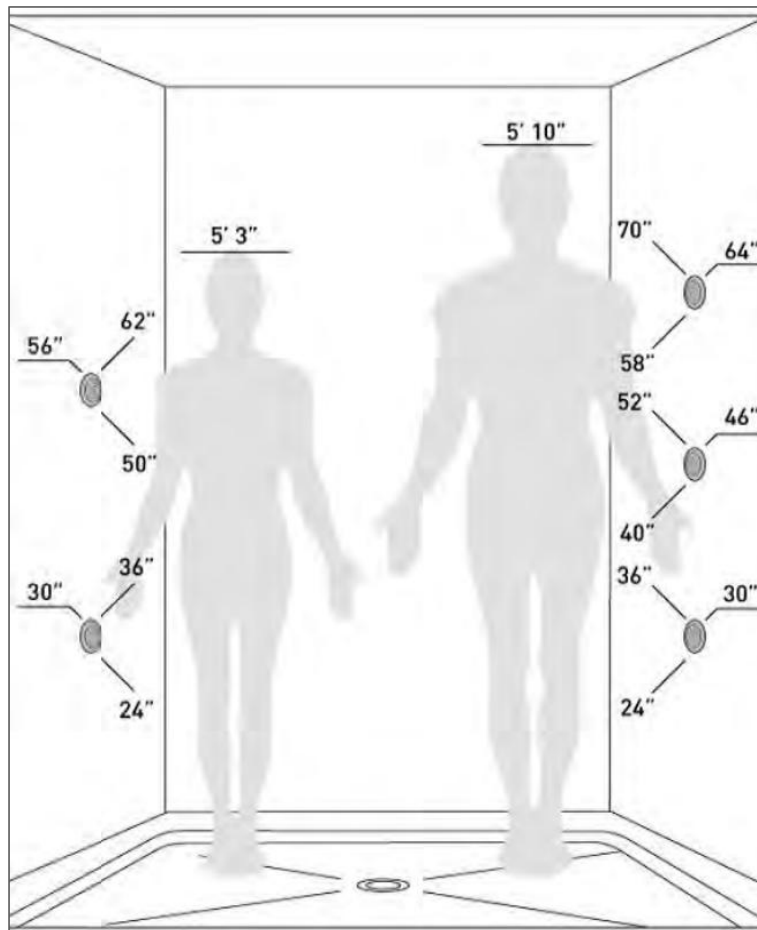
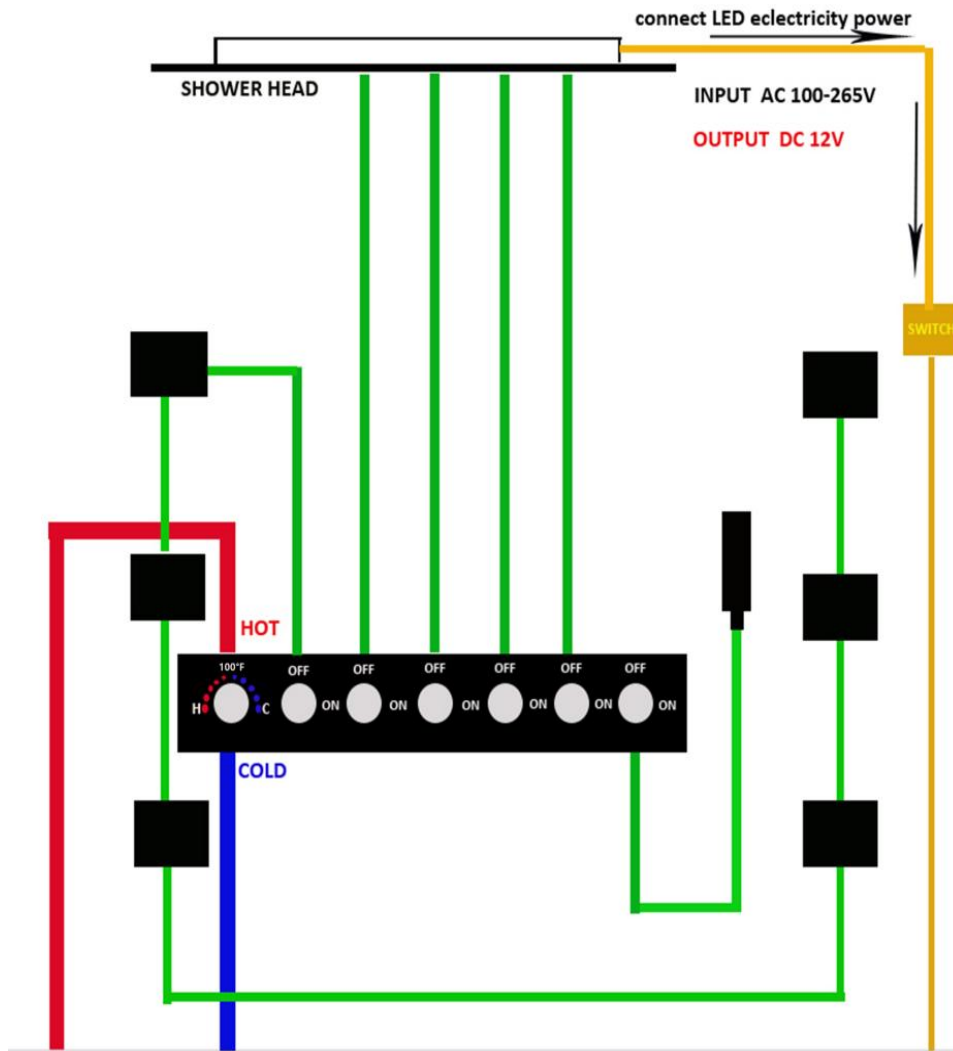
The lowest tonage of drainage system is above 60L.

Requirements of power

9. Power line :5X1.5mm

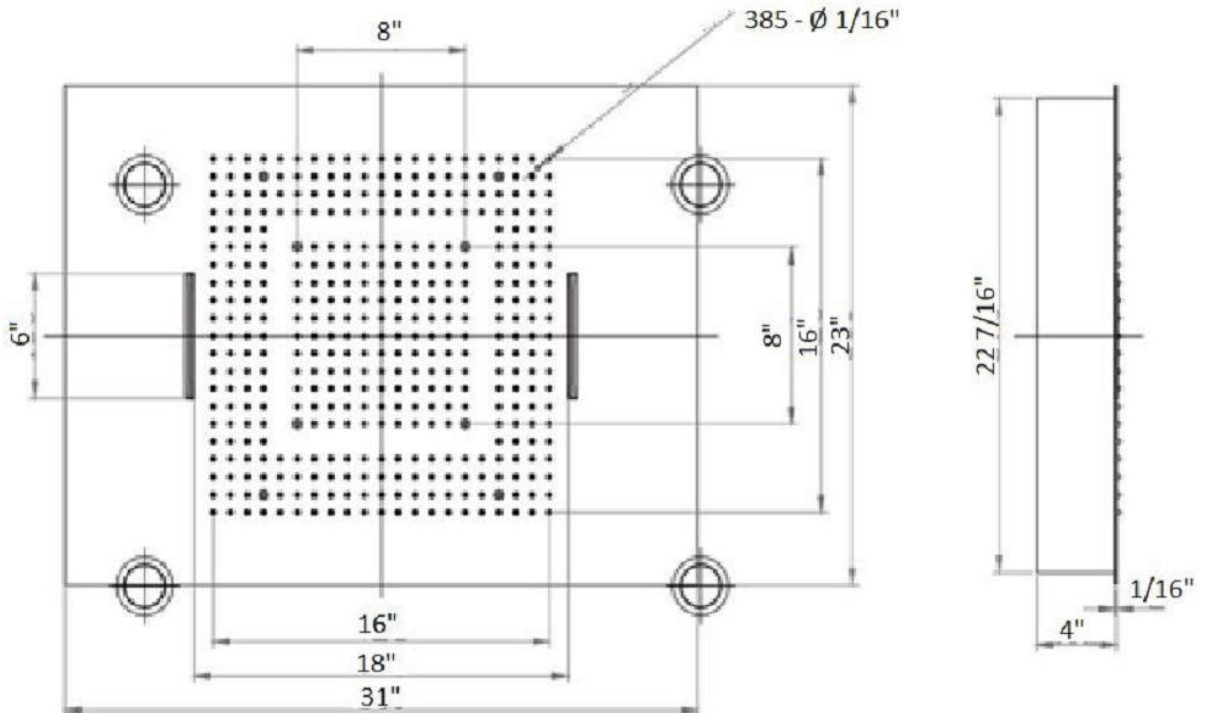
10. Power control switch must be installed in dry area.

Note:Install power fault protection device with 30MA rated current and there is inside power transformer(Change to 12V safe power) of LED shower head .

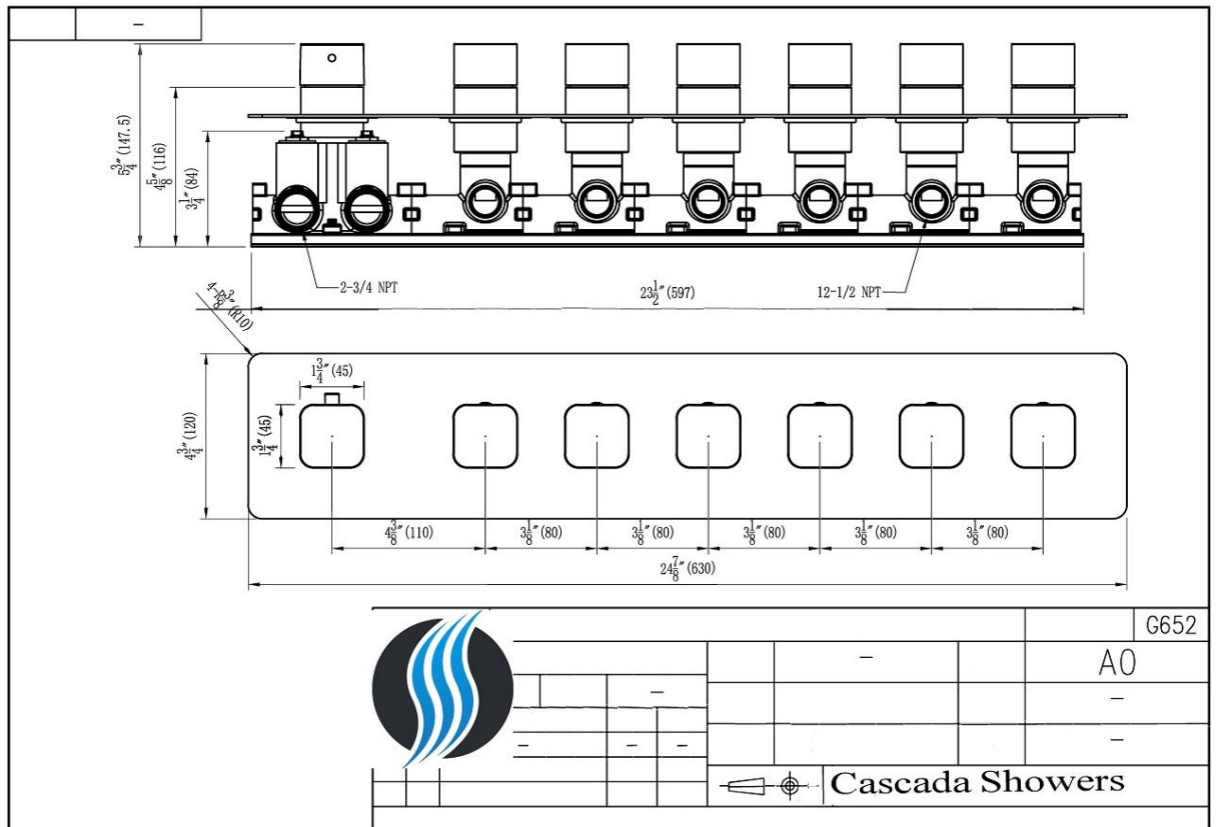


Product Dimension:

Shower Head

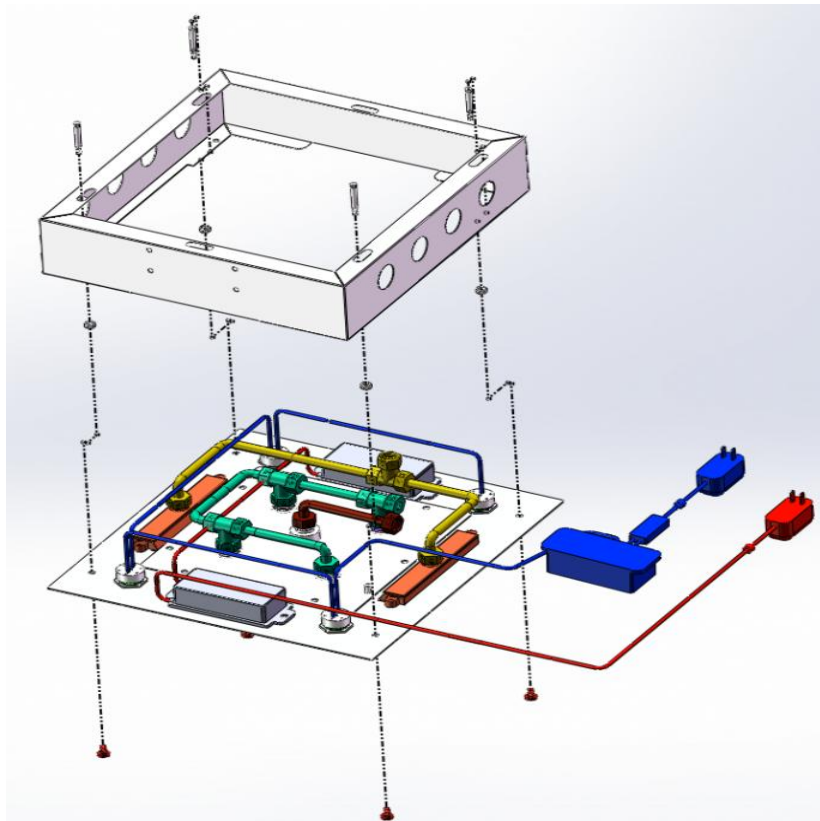
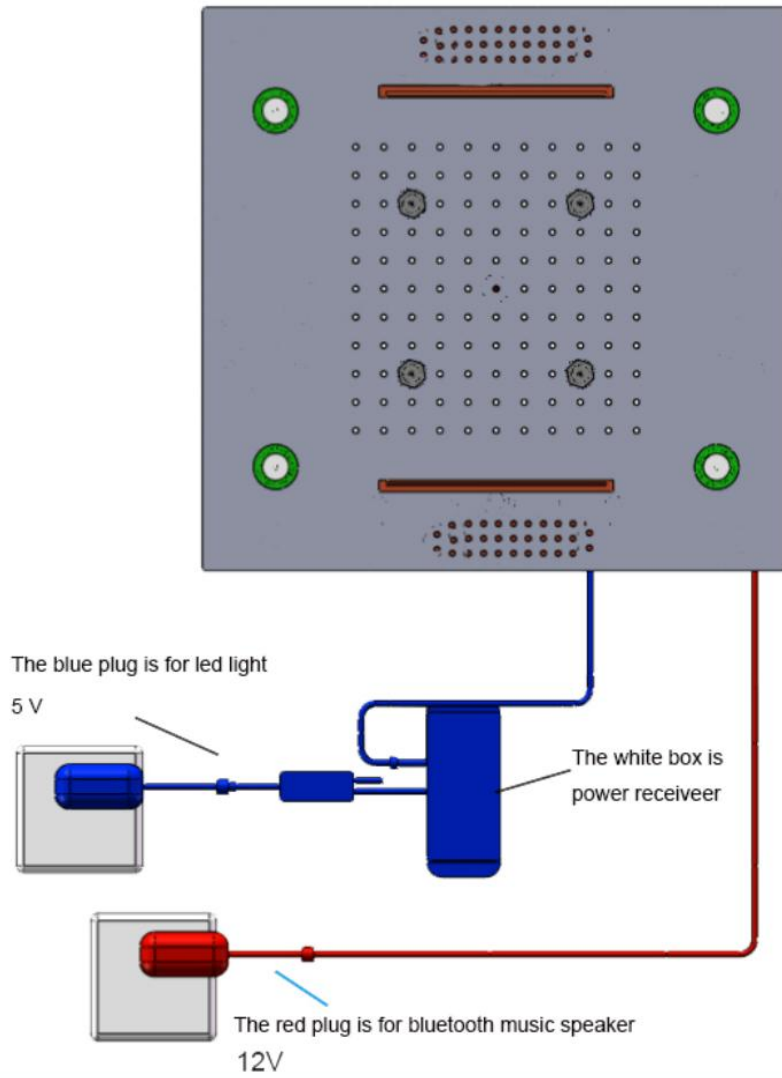


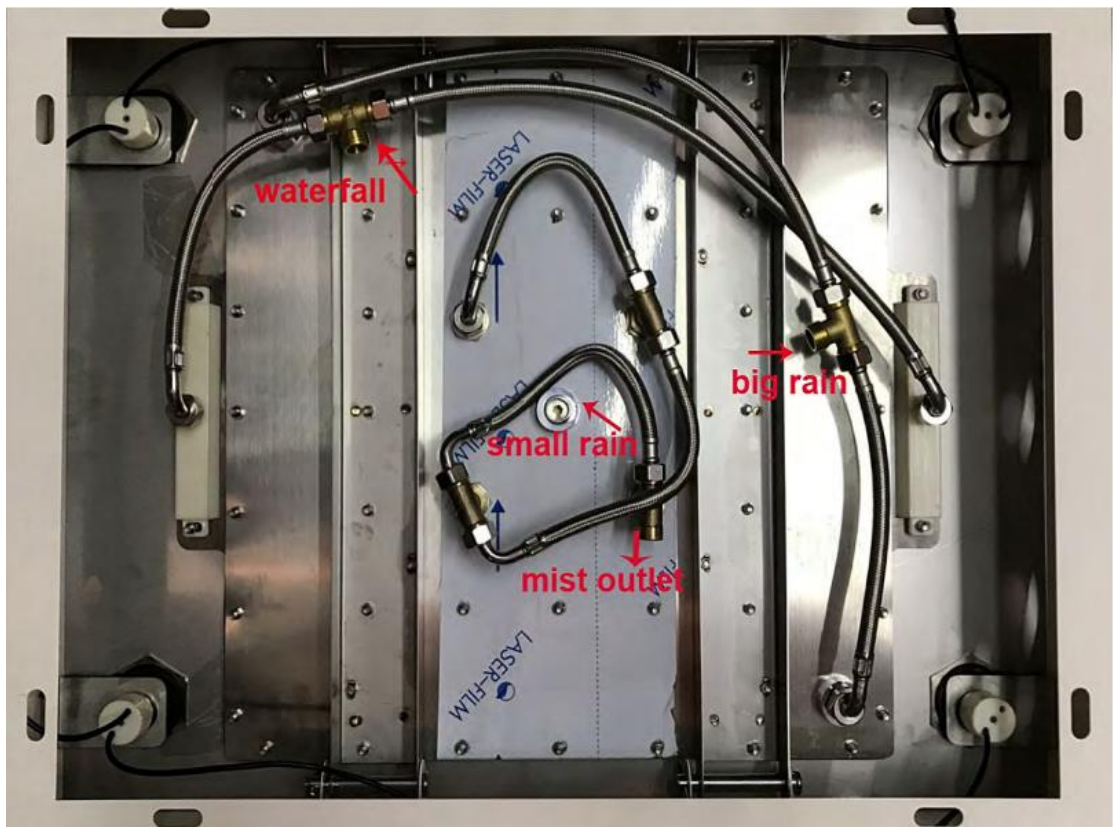
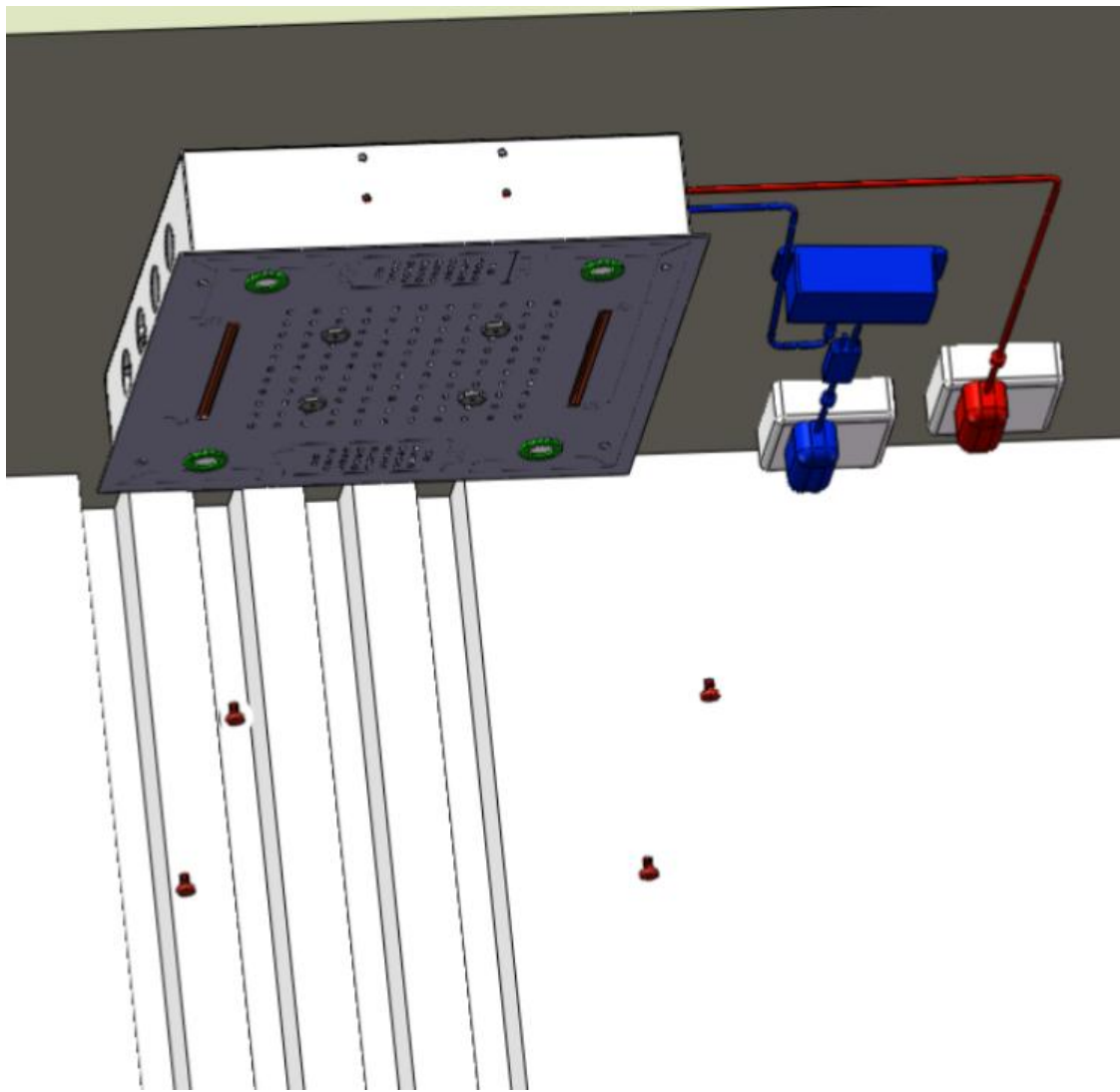
Valve Mixer





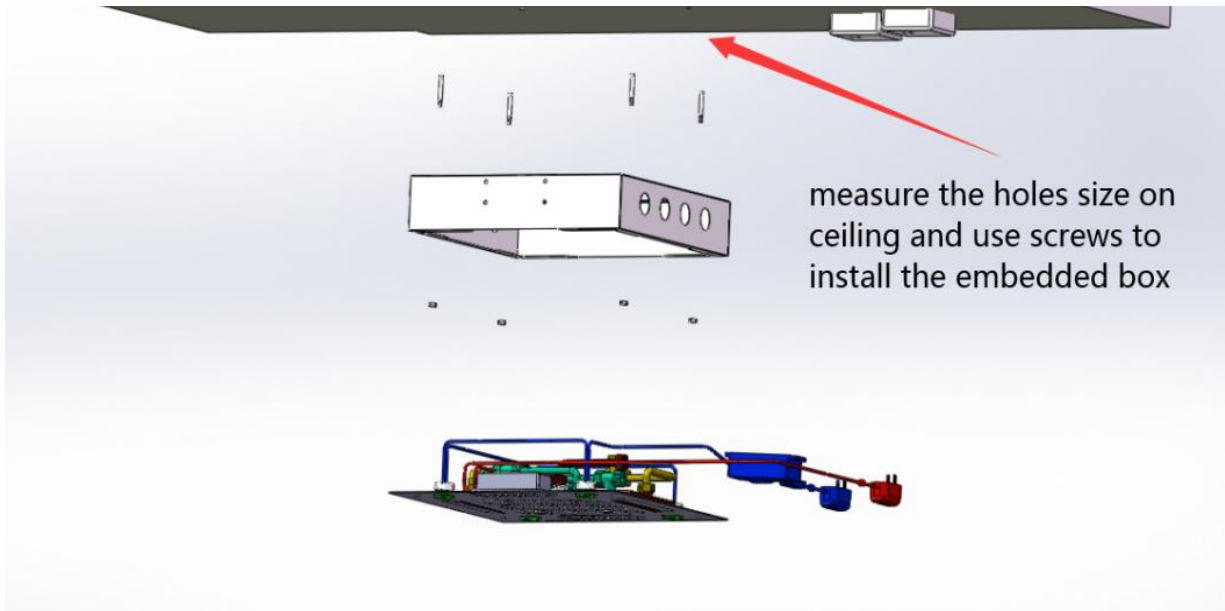
Shower Head Installation:





Shower head installation steps:





1. According to the size of shape on the mounting bracket, check the location of the installed in ceiling. Measure the holes size for the embedded box and draw the location on the ceiling.

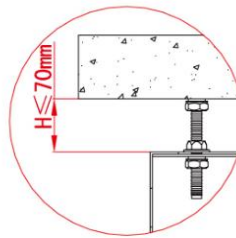
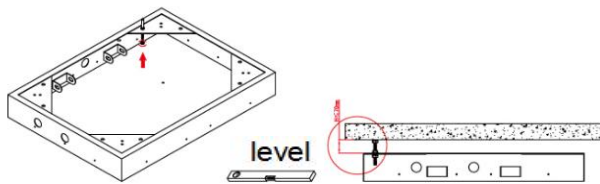
2. After fix the embedded box on ceiling, connect the water pipes through the holes of the shower head.

3. Then assemble the main body of shower head to the embedded box, connect the water pipes to the water outlets of the shower head

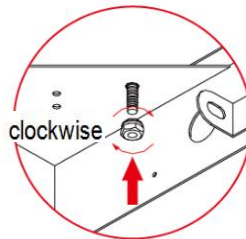
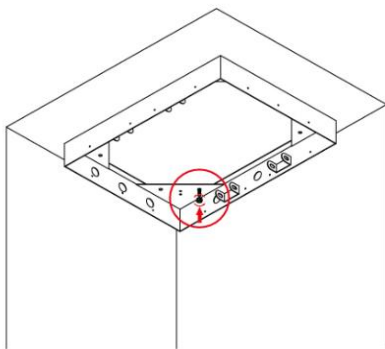
Note: Please clean the water pipes and test the functions when connect water pipes.

4. Need to connect the electricity power to the shower head for led lights. Need to stick out the signal receiver.

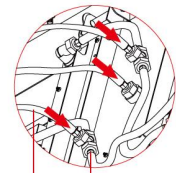
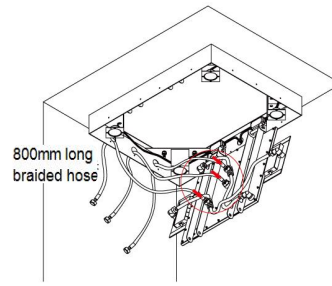
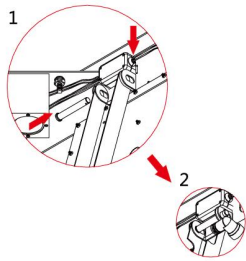
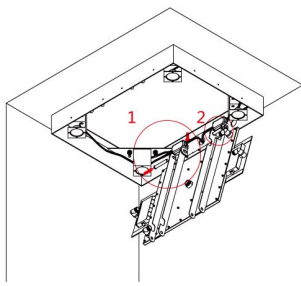
5. For bluetooth music speaker, the bluetooth device is " **SPEAKER5.0** ", turn on the bluetooth in phone to connect it.



Through the two hexagonal nuts adjust the distance between the mounting bracket and the ceiling, and keep the mounting bracket on level



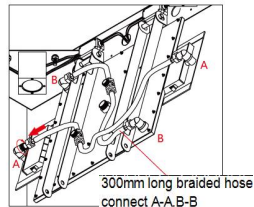
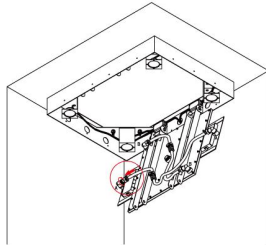
Use explosion screw fixed mounting bracket on ceiling, pay attention to the explosion screw can adjust the height, and use level adjust the mounting bracket to level



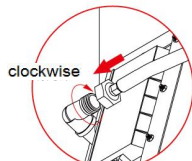
800mm long braided hose tee joint connector

6 Lift up the shower head, aimed at the hole of bolt, according to the chart shows plug in bolt.

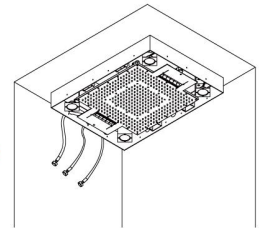
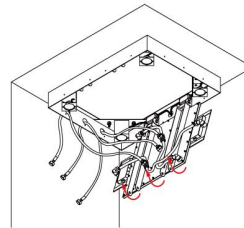
7 Connect 3pcs 800mm water hose to 2 tee joints and G1/2" joint in the middle, then put another side of the shower hose through the through hole at the side of the mounting frame.



300mm long braided hose connect A-A, B-B

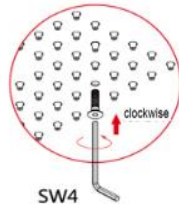
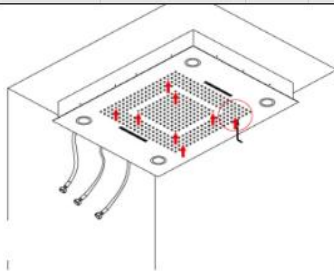


clockwise

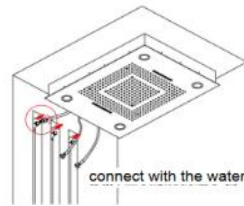


8 Connect 300mm long waterhose and tee joint, then put the water hose connect on the water inlet connector.

9. Cover the shower body, and loaded bolt.

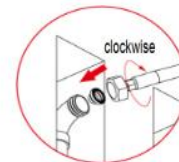


SW4

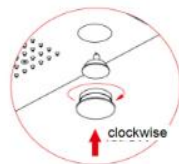
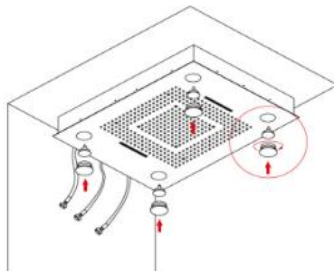


connect with the watertub in wall

10 Install the decorative panel, use SW4 hexagen wrench tighten 8 screws.



clockwise



clockwise

12. Connect the 3 braided hoses with the embed mixed water inlet pipe Bury and seal the wall, and finally finish the shower head installation.

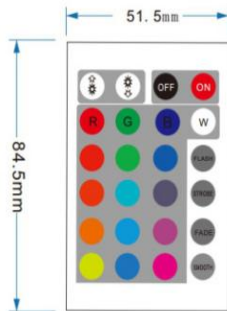
11 .Fitted four lamp cups, then screw up 4 decoration covers

Note: 1. Before connect water hose and watertube, cleaning the pipes, prevent impurities from water pipes clogging flower is aspersed;
2. When connect watertube, put a G1/2" filternet in water hose, filtering impurities.

For LED light:

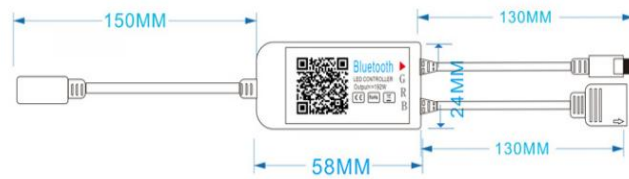
1. Usually user changes led lights by remote controller

Size parameters



H=7mm

Name	Parameter
Operating temperature	-20-60°C
Input voltage	DC5V-24V
Output circuit	3 circuits
Output current	≤12A
Output Power	92W
Connection method	Android 4.0, Apple 4S and above
Receive distance	Indoor 8-10 meters
Support language	English, Chinese (other languages available According to mobile phone system function settings)



H=10MM

Remote control display



Infrared remote control

The key functions correspond to the following table:

RGB brightness +/ Dynamic mode speed+	RGB brightness -/ Dynamic mode speed-	Shut down	Boot
Static red	Static green	Static blue	Static white
Static rose	Static turquoise	Static sapphire	Seven colors jump
Static orange	Static cyan	Static purple gray	Seven colors flashing
Static goose yellow	Static sky blue	Static sauce purple	Seven-color gradient
Static yellow	Static cyan	Static purple	White light gradient

2. Control led light by smart phone(but only for Apple phones)

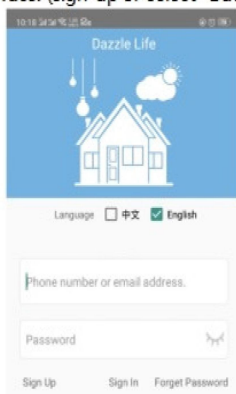
Please download "Dazzle Life" App Firstly

- ▶ Scan the following QR code to download the app.

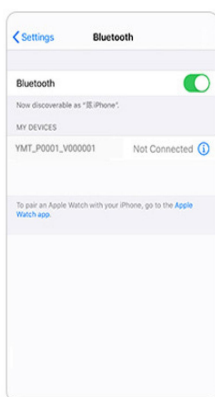


- ▶ Sign up

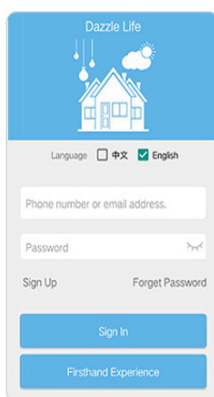
a) First use can register user or directly click taste fresh experience to enter the control interface. (sign up or select 'Guest' to use)



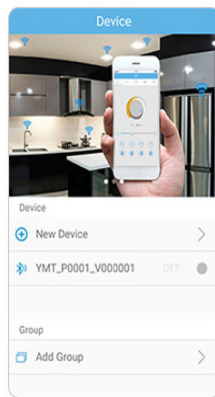
Bluetooth connection operation instruction steps:



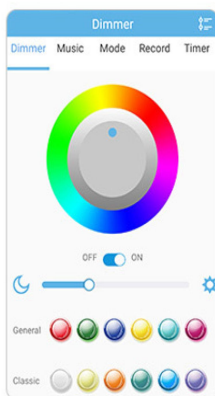
① Turn on Bluetooth



② Launch Dazzle life



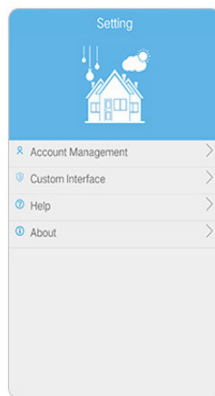
③ Adding devices and groups



④ Change LED color and brightness



⑤ Adjust speed mode



⑥ Make related settings

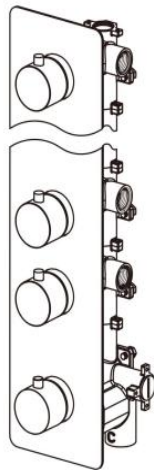
3. For led app:

NOTE:

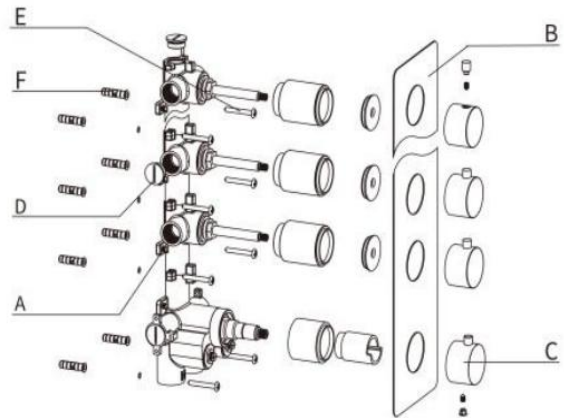
1. The power supply voltage of this product is DC5V-24V, which should not be connected to other voltages.
2. The lead wires should be correctly wired according to the colors and labels provided in the wiring diagram.
3. This product cannot be overloaded.
4. If you cannot search the LED controller and cannot connect with the Bluetooth device, please turn it off in your phone settings turn on Bluetooth again, and then connect again.
5. If you cannot connect to the device for a long time or other abnormalities, please close the application and try restart.
6. Do not put the LED Bluetooth controller in a closed place with high temperature, humidity or water.
7. Non-professionals, please do not open the closed device at will.

Valve Installation

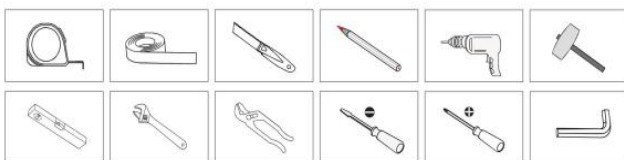
01/PRODUCT



03/SPARE PART LIST



02/TOOLS NOT INCLUDED



A		B		C	
				D	
				E	
				F	

04/ INSTALLATION

Chart1

Flush the water supply lines thoroughly to drain debris and impurities. Shut off the water before installation.

Chart2

Fix a wood plate to the two wood pipes for faucet installation.

Chart3

Mark the fixation positions according to the stainless steel plate under the valve.

Chart4

Fix the valve to the wood plate. Use the level gauge to test if the valve is in horizontal. Connect the pipelines with the valve according to the function symbols indicate on the plate. Block unused outlets with the caps provided.

— 03 —

Chart5

Turn on water to test the leakage

Chart6

Create a dry wall accordingly and brush with water proof glue and cement. Attention: before dry wall, please make sure all the chrome parts are well protected by the plastic covers.

— 05 —

— 04 —

Chart7

Put the tiles accordingly. (Make sure the surface is flat). Take out the handle protect covers and insert the decoration plate.

Chart8

Assemble all the handles on and fixed with allen key.

— 06 —

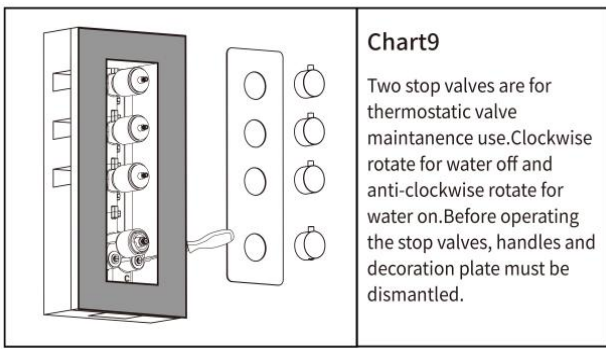


Chart 9

Two stop valves are for thermostatic valve maintenance use. Clockwise rotate for water off and anti-clockwise rotate for water on. Before operating the stop valves, handles and decoration plate must be dismantled.

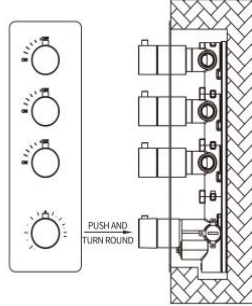
06 / FUNCTION

Temperature Setting

38°C/100°F is set by the factory
(Temperature tolerance is ±2°C/36°F)

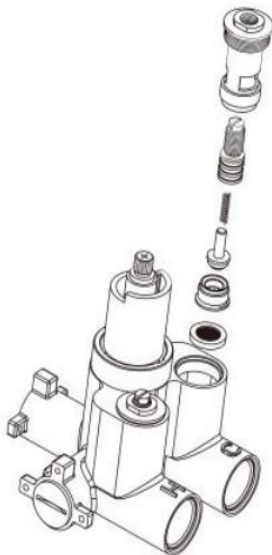
Temperature Adjusting

- Clockwise rotate the handle for cold water and anti-clockwise rotate for hot water.
- When the handle knob pointing at 38°C/100°F, push the knob and turn anti-clockwise to find your suitable hotter temperature.



Maintenance of filter/Stop Valve

- Function of the stop valve is to stop water backflow and water shut from water inlet supply for easy maintenance.
- Stop valve clean
Remove all the stop valve parts according to right chart.
Wash the filter and lightly grease the seals and put them back.

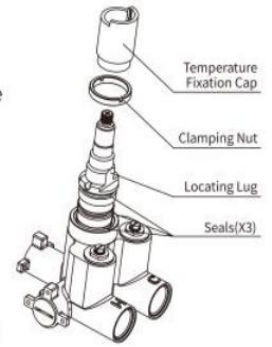


- When cold water inlet failures, the hot water will be stopped.

07 / MAINTENANCE

▲ Note

- To avoid damage, please remove all chrome parts before any maintenance takes place.
- The thermostatic cartridge should be trouble-free. But in case of failure, maintenance is very simple. Loose the cartridge clamping nut and pull the cartridge out with the temperature handle. (If the cartridge is very tight inside because of oil run out, use tools like pliers.)
- Wash the cartridge with vinegar and clean running water and make sure that any trapped debris has been removed. Dry and lightly grease the seals (only use silicone grease) and replace the cartridge.
- Making sure that the locating lug is located in the recess of the valve. Before putting back the handles and decoration plate, test if 38°C/100°F is correct by a thermometer. (Temperature tolerance is ±2°C/36°F).
- In case the cleaned cartridge is failed, replace the new thermostatic cartridge in the same way.

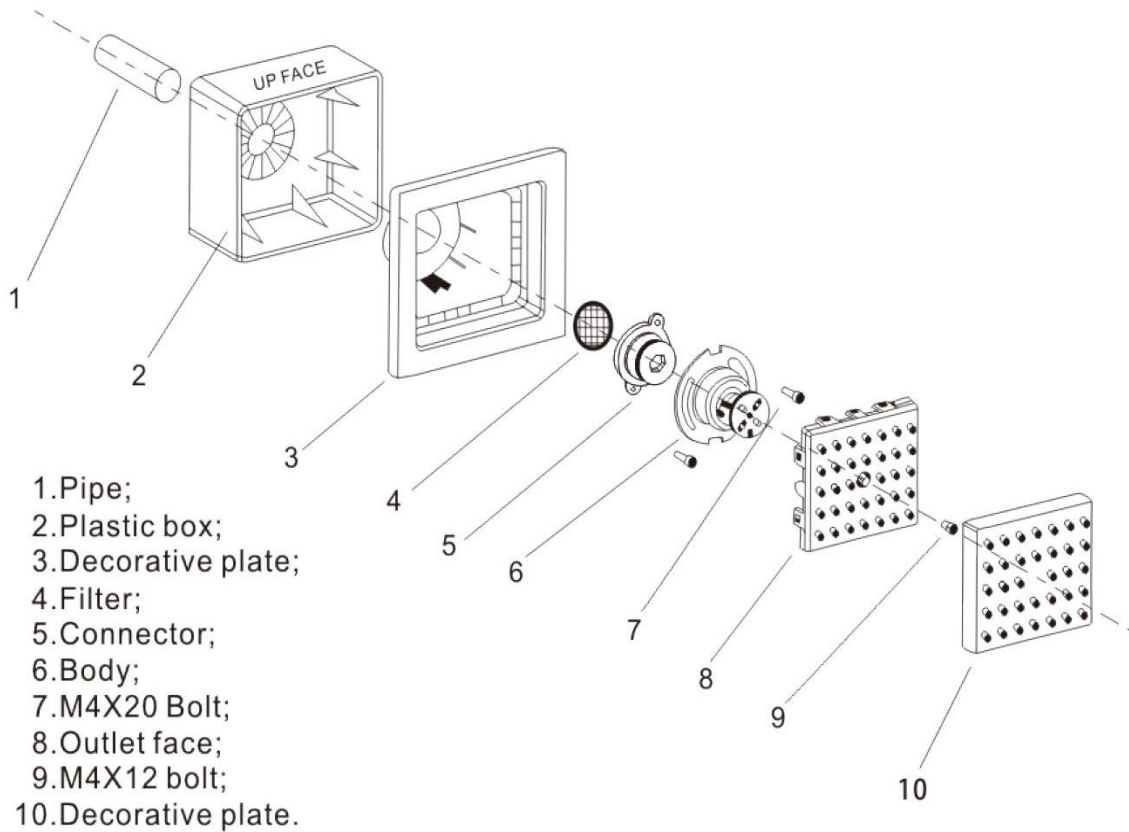


Problem Solve

Problem	Solution
No hot/cold water running when first installed	<ol style="list-style-type: none"> 1: Check if installation is wrong (Hot/cold water pipes misconnected). 2: Check inlet filters and incoming water pressure. 3: Check if the line marked on the thermostatic cartridge for 38°C/100°F setting is moved and adjust. 4: If above operation failed, change thermostatic cartridge.
Very low flow or no flow	<ol style="list-style-type: none"> 1: Check if water pressure is normal. 2: Check hot and cold water inlets and thermostatic cartridge filter if blocked with debris. 3: Turn-off the water to clean the dirty. 4: Change cartridges.
The water coming out cold for a while	Check if water pressure is normal.
Cold water tracking through the valve into the hot water system	Check and clean the check valve cartridges and filters located under the check valves.

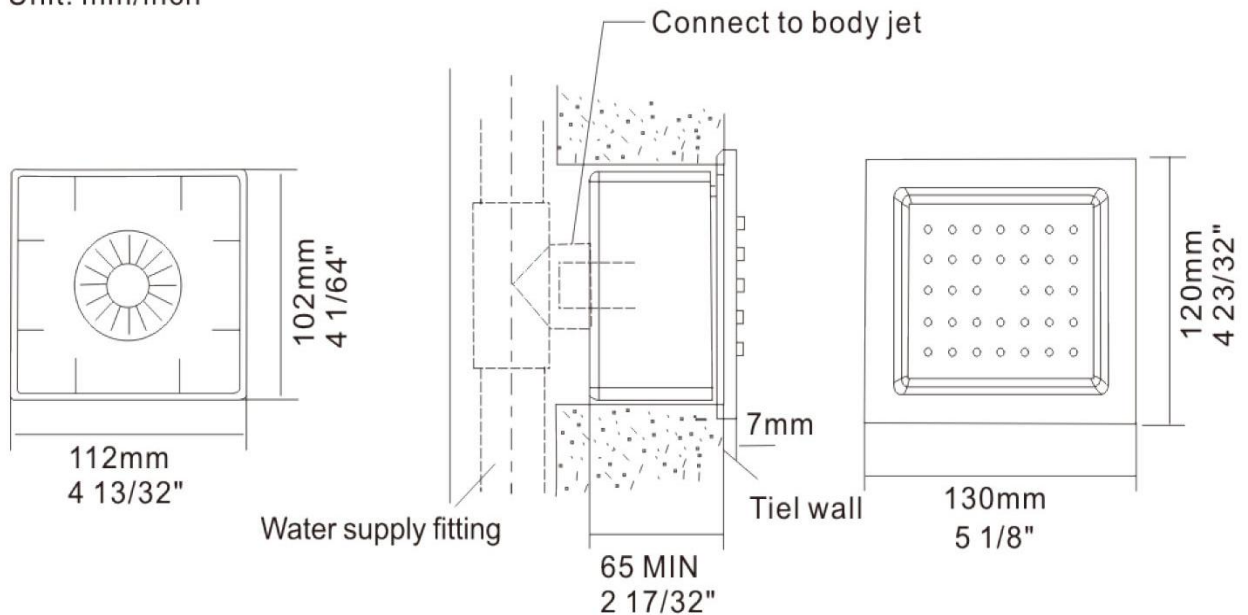
◆ Body jet Installation Instruction

◆ See the exploded drawing below:



◆ See the dimension drawing below:

Unit: mm/inch

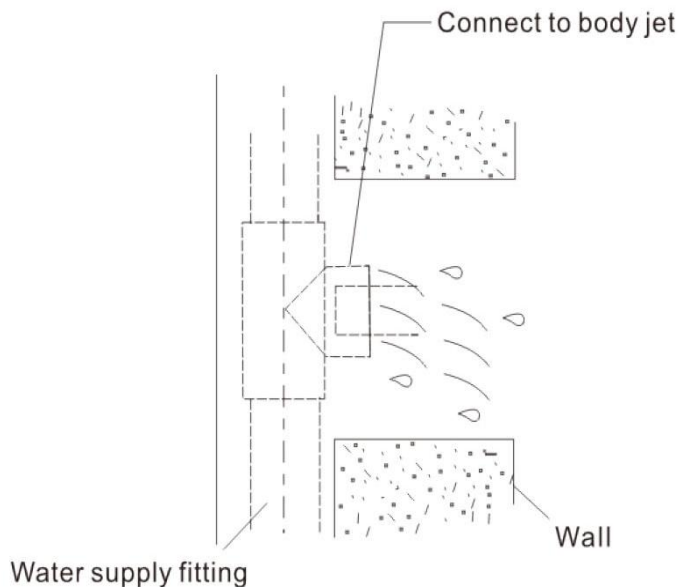


◆ See the installation steps as follows:

1 Preparation.

Before installation, you should pay attention to the three points as follow:

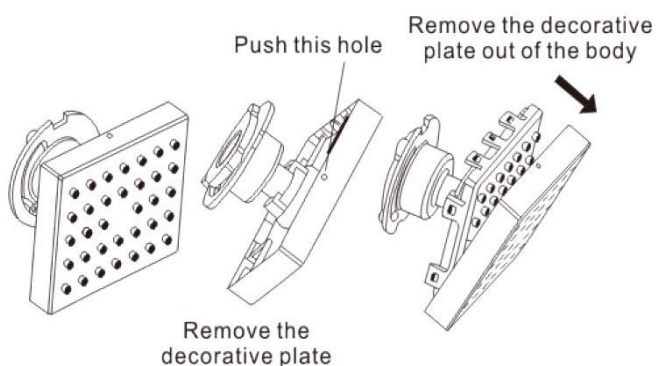
- 1.1 Check the new product for damage, if the product is suffered, please contact us;
- 1.2 Check the accessories whether complete in the packing;
- 1.3 Flush the water supply fittings;



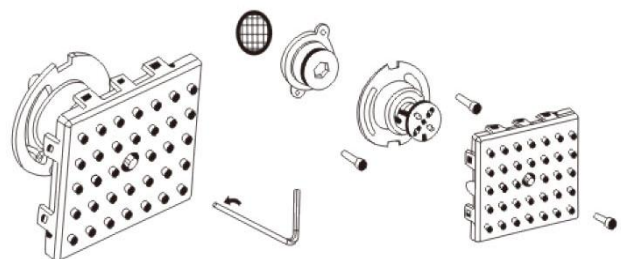
2 Installation

2.1 The new product is a combination before leaving the manufacturer, please disconnect the product before your installation as the illustrations below:

2.1.1



2.1.2



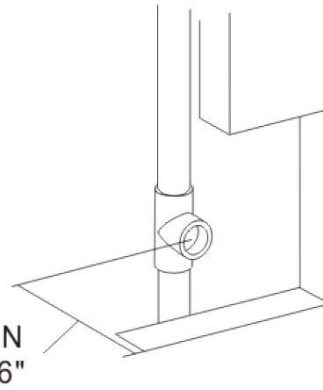
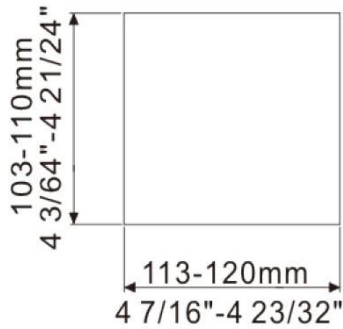
Remove the M4X12 screw and the outlet face

Remove the M4X20 screw and the connector body

2.2 Please see the installation illustrations below:

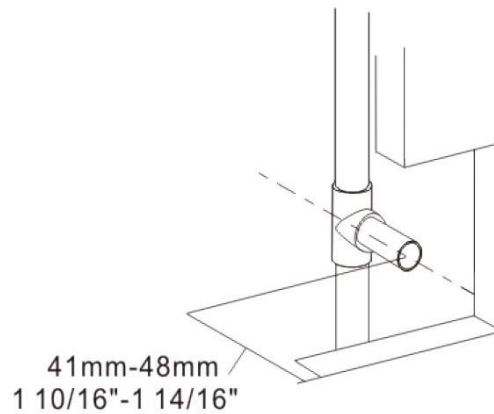
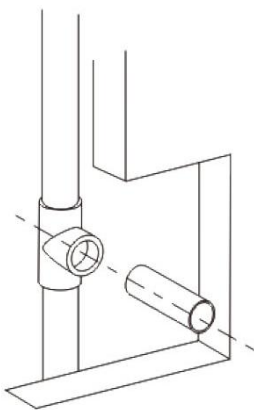
2.2.1

Unit: mm/inch



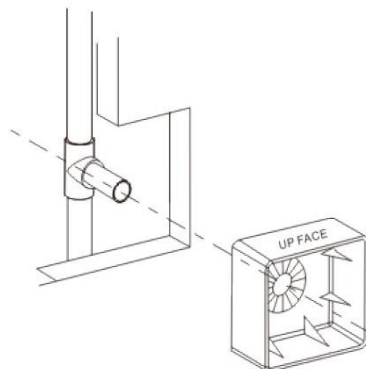
Notice: The distance between the water supply system and the finished wall be at least 65 mm.

2.2.2 Reference the size to drill the wall as above

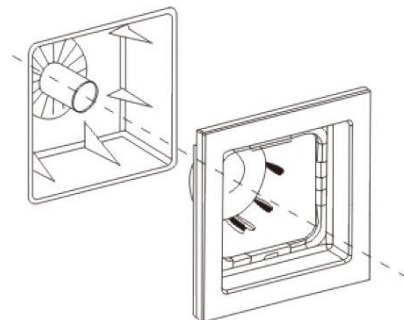


- Screw the pipe to the water supply fittings;
- The distance between end point of the pipe and finished wall shall be 41 mm (1 10/16"-1 14/16") to 48 mm (1 10/16"-1 14/16"), cut off the longest part;
- Then take off the pipe, screw the sealant tape to the pipe, screw to water supply fittings again;
- Turn on the water supply system to flush the pipe;
- Close the water supply system.

2.2.3



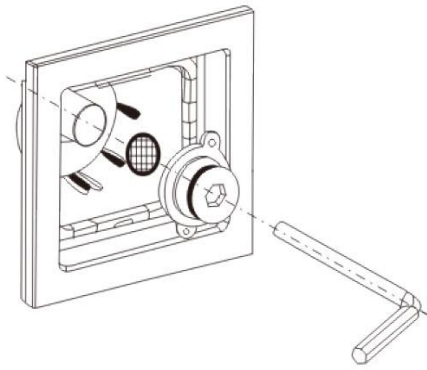
2.2.4



- Push the plastic box into the wall
- Make sure the one side which mark with "UP FACE" in the plastic box is in the top position.

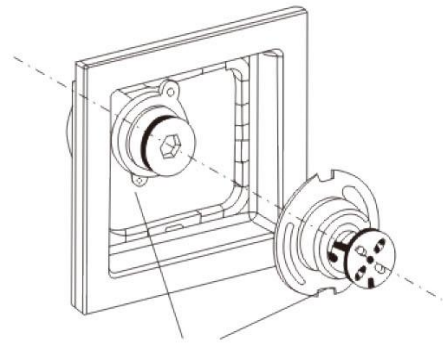
- Install the decorative plate assembly into the plastic box
- Make sure the position is correct.

2.2.5



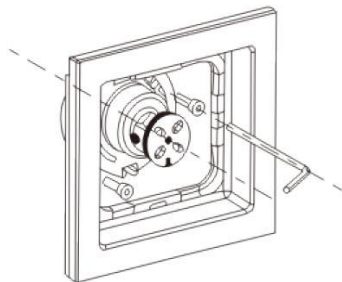
- Screw the connector into the pipe with H10wrench;
- Push the filter inside connector for seal and no need sealant tape;
- Be careful of the decorative plate assembly are not tighten.

2.2.6



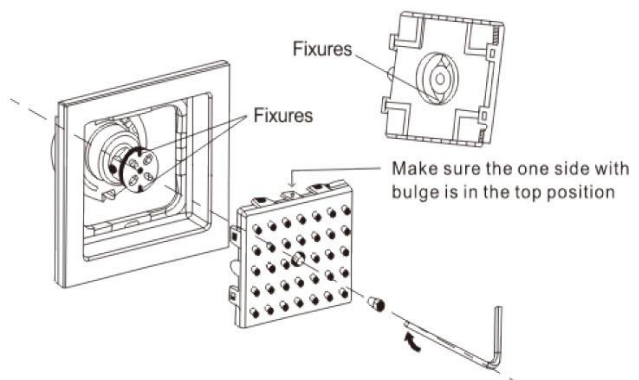
- Make sure the body connect to the connector is complete
- Install the body assembly to the connector;
- When finish installation, please check their connection is complete.

2.2.7



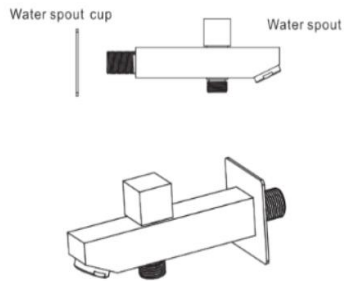
- Screw the M4X20 bolt into the body by Allen key;
- Make sure the body and the connector are tighten;
- Make sure the decorative plate is not move.

2.2.8



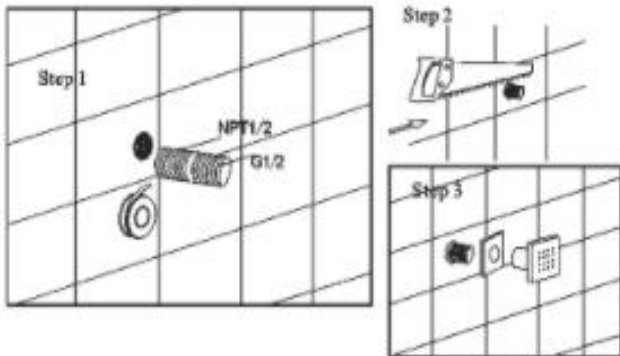
- Install the outlet face assembly to the body;
- Make sure the connection of body and outlet face assembly are complete;
- Screw the M4X12 bolt through the outlet face into the body, don't use excess force or else the outlet face will be damage.

Installation For Accessories

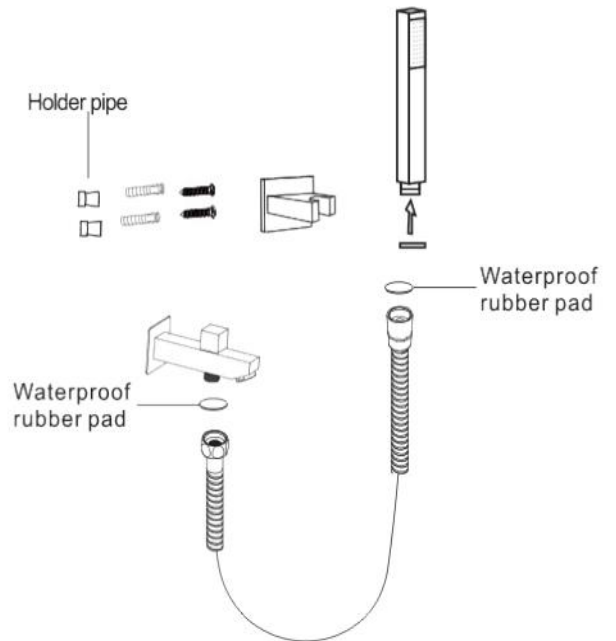
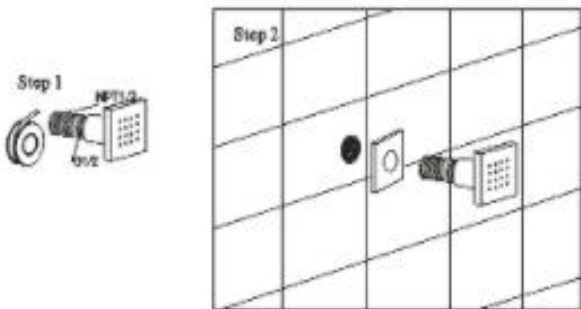


Install the decorative cover under the water spout, and then tighten it into the wall by using the waterproof tape

◆ Body jet installation



Step 1 Wrap the threaded pipe of NPT1/2 with Teflon tape and screw it into the wall.
 Step 2 Cut off excess part with a saw.
 Step 3 Put on the decoration cap, then screw the massage shower in.



Step 1. Using anchors to screw the holder pipe to the wall firstly
 Step 2. Remove two screws on the shower seat
 Step 3. Insert the shower seat into the copper fittings that have been installed on the wall and then fix the shower seat with 2 screws

Care and Maintenance

In order to keep the mixer surface bright, please clean the mixer regularly.

Rinse faucet with clean water and wipe with soft cotton cloth.

Avoid using cleaning powder, harsh cleaning chemicals, brushes, and cloth with coarse surface to prevent scratching and corrosion.

Do not use acid cleaner to clean the faucet as it may cause surface corrosion of the faucet. If the faucet comes into contact with harmful acid substances, please rinse it with water immediately.



**If a large-scale clean-up is necessary,
follow these procedures:**

1: Use clean water and soft cloth to remove dirt on the surface as much as possible.

2: Use one of the following cleaners to remove dirt on the surface

Mild liquid cleaner.

Colorless glass cleaner, powder cleaner which does not have abrasive function and can be dissolved completely.

Polish liquid which does not have abrasive function.

3: After cleaning, remove the cleansing agent with clean water completely and wipe with soft cotton cloth.



Sales: 1-800-766-7428

Technical Support: 1-718-532-4488

Return Address: 6841 Elm St. #7732
McLean, VA 22106
USA