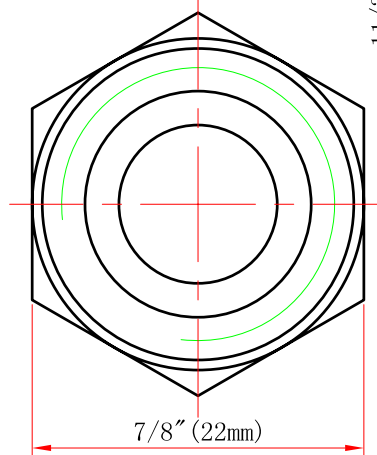
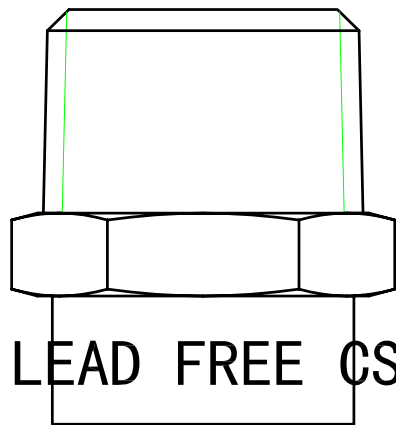
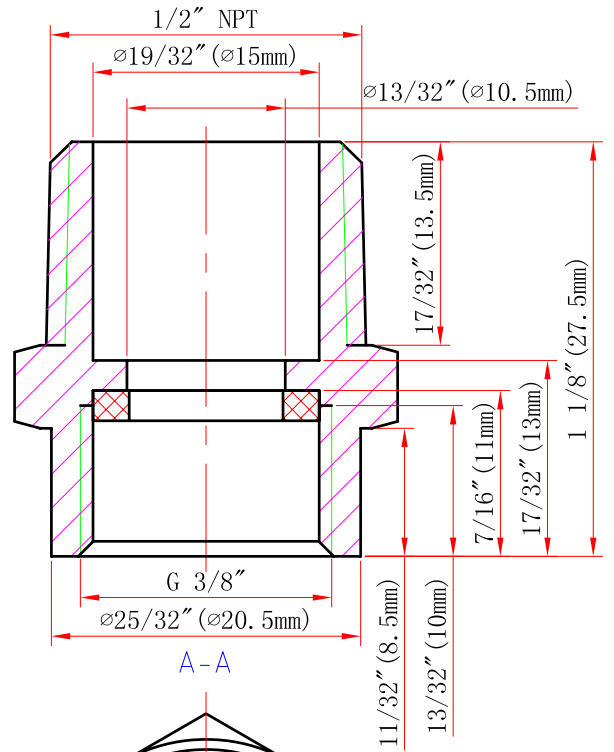
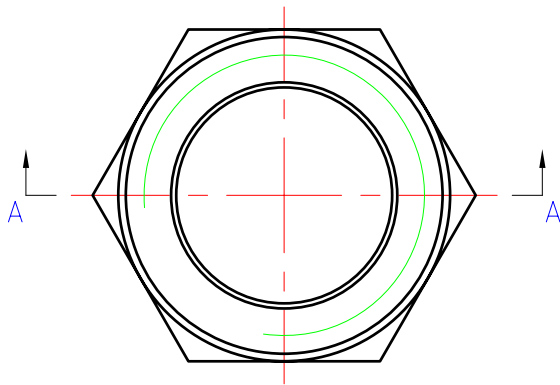


3/8" G (F) * 1/2" NPT (M)



Marrk	Number	Change file number	Signature	Date
Set a count				
Proofread				
Refine				
Batch				

LEAD FREE BRASS ADAPTER

3/8" G Female to 1/2" NPT Male

Cascada Showers

Graphing tagging Weight Example

Total Page Page

Part No:CSSL5616315