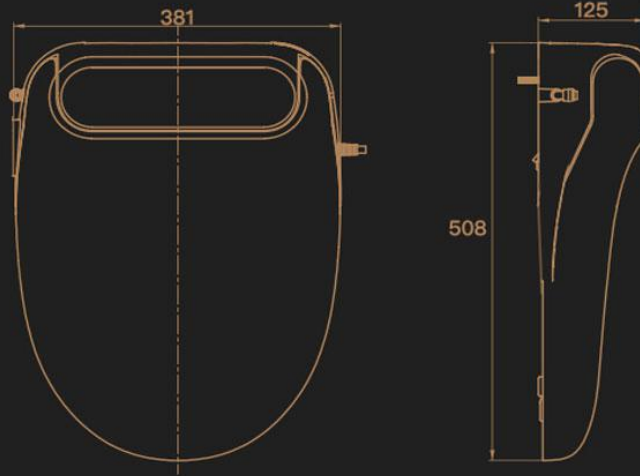






## SIZE

Unit / mm



## PRODUCT PARAMETERS

	Rated voltage	AC220V 50Hz
	Rated power	1680W
	Power cord length	1.5M
Flushing equipment	Water pressure range	0.06MPa (Dynamic)-50.75MPa (tatic)
	Water pressure control	Four gears adjustable
	Water temperature control	Four gears adjustable:33-39°C (Normal temperature file)
	Warm water heating power	1600W
	Safety devices	Temperature sensing control system / fuse Recoverable temperature switch
	General wash	0.5-0.9L-min(Water pressure $\geq$ 0.15MPa)
	Female wash	0.5-0.9L-min(Water pressure $\geq$ 0.15MPa)
	Seat temp equipment	Seat power consumption
Seat temp. control		Four gears adjustable:33-39°C (Normal temperature file)
Safety devices		Temperature sensing control system / fuse
Drying equipment	Drying power consumption	350W
	Drying temperature	Four gears adjustable:40-62°C
	Seat insurance	Four gears adjustable
Deodorization	Deodorant	3W
	Deodorizing power consumption	Catalyst deodorant box
	Weight	6KG

# CREATE A SMART LIFE

The country can delivery door In Germany like the brand for free! The country can delivery door In New York like other was committed! The country can delivery door In Germany like the brand for free! The country can delivery door In New York like other was committed!



Hot water



Side button



Mobile massage  
cleaning



Laxative  
function



Water temperature  
hot and cold massage



Intelligent  
deodorization



Self-cleaning  
nozzle



12V voltage  
protection



ABS antibacterial



Night mode

## Hygiene cleaning

Buttock cleaning  
Female cleaning  
Help cleaning  
Mobile cleaning  
Self-cleaning  
function  
Double nozzle

## Comfortable - enjoy

Position adjustment  
Water temperature  
regulation  
Seat temperature  
regulation  
Wind temperature  
regulation  
Help massage  
Night light  
Silent descent

## Intelligent Technology

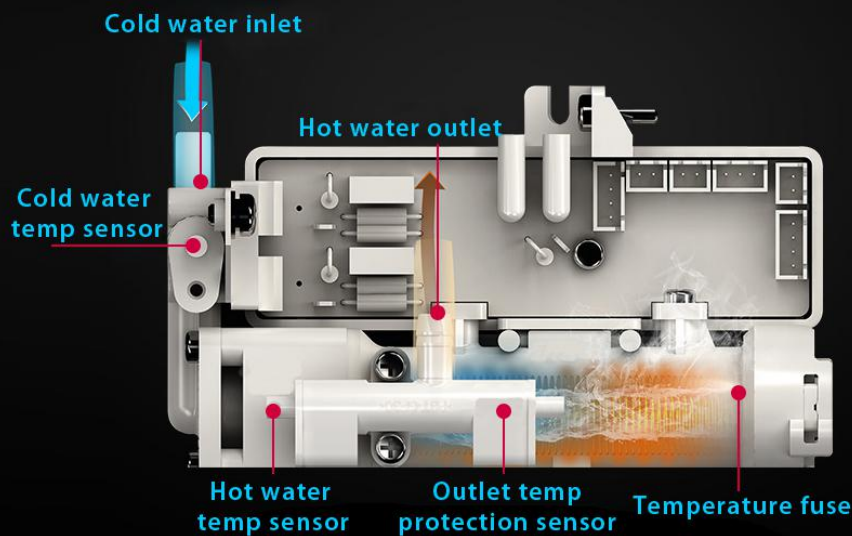
LED display  
Frequency conversion  
is hot  
Side panel  
Intelligent induction  
Waterproof design  
3D seat

## Safety and environmental protection

Smart power saving  
Intelligent deodorization  
Leakage Protection  
Drying protection  
Overcurrent protection  
Anti-freeze protection

# SAY GOODBYE TO WATER TANK HEATING

5th generation ceramic heating technology



Immediately  
hot

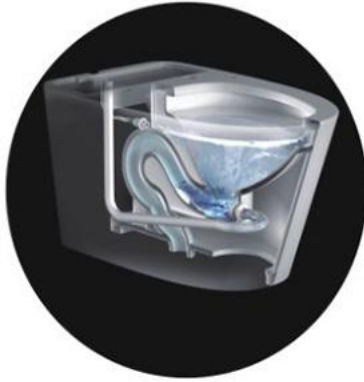
Stable water  
temp

Health and  
comfort

Energy  
saving

# TECHNICAL SYSTEM

Technical System Guarantee Valuable Experience



POWERFUL

## Powerfully Flushing

### Tankless Double Stream System:

Flushing water capacity always under 6L, Some models under 4.8L, ensure flushing effect and at same time save water

### Anti-sticking Glaze:

Anti-bacteria, easy to clean, not shed for long time use.



CONSTANT

## Constantly Performance

### Solenoid Valve Flushing:

Not affected by external water pressure, more steady and comfortable while using.

### Constant Current Stabilizer:

Guarantee water not splash while flushing, be clean and hygienic.



FRESH

## Fresh Space

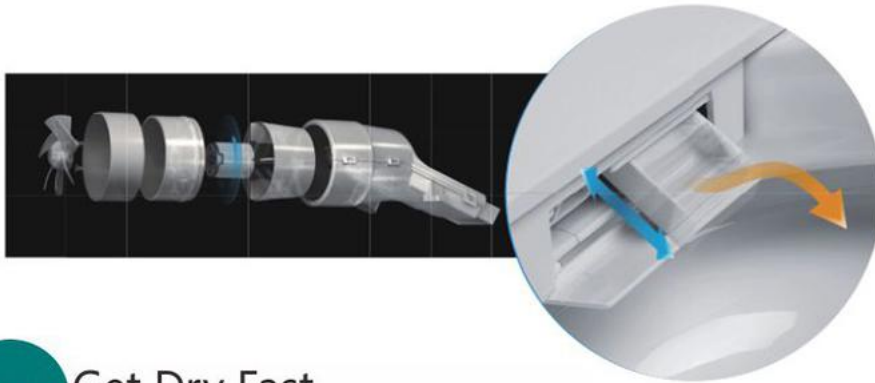
### Durable Activated Carbon Deodorizer:

Eradicate odor

### Constant Current Device:

Low noise, long working life.





## Get Dry Fast

**Imported Big Volume Dryer Motor:**  
Not only speed-up, but also can adjust temper

**The Hidden Air Outlet Design:**  
Clean and artistic.



## Denoise Deeply, Cleaning in Quiet

**Double Valve Drainage Control:**  
Minimize flushing noise

**Tankless Design:**  
Compact and fashion.

**Auto Adjust Water Pressure:**  
To ensure good scouring effect when water pressure changed.





DELICATE

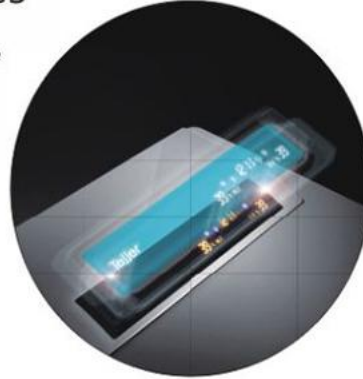
## Boutique Configuration, High Grade Accessories

### Imported Components:

Adopt Germany control chip, japan motor drive parts and distance measuring sensor, operate steadily, sense accurately

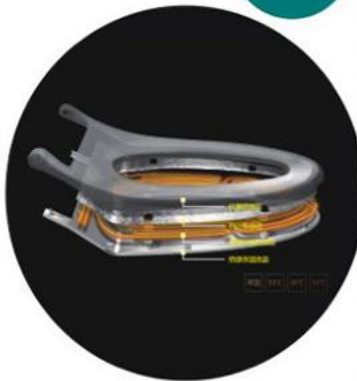
### Large LED Display:

Colorful, wide vision, can real-time display smart toilet operation status.



WARM

## From The Inner Core, Passing Warmth Layer By Layer



### Safety Toilet Seat Design:

Toilet seat is consist of antibacterial layer, insulating layer, sensor layer, heat source layer, and insulation cover , Warm and comfortable, safe in use;

### Antibacterial Nano-materials:

Prevent breeding bacteria effectively.

### Temperature Adjustable:

The temperature can be adjust by remote control and mobile.

