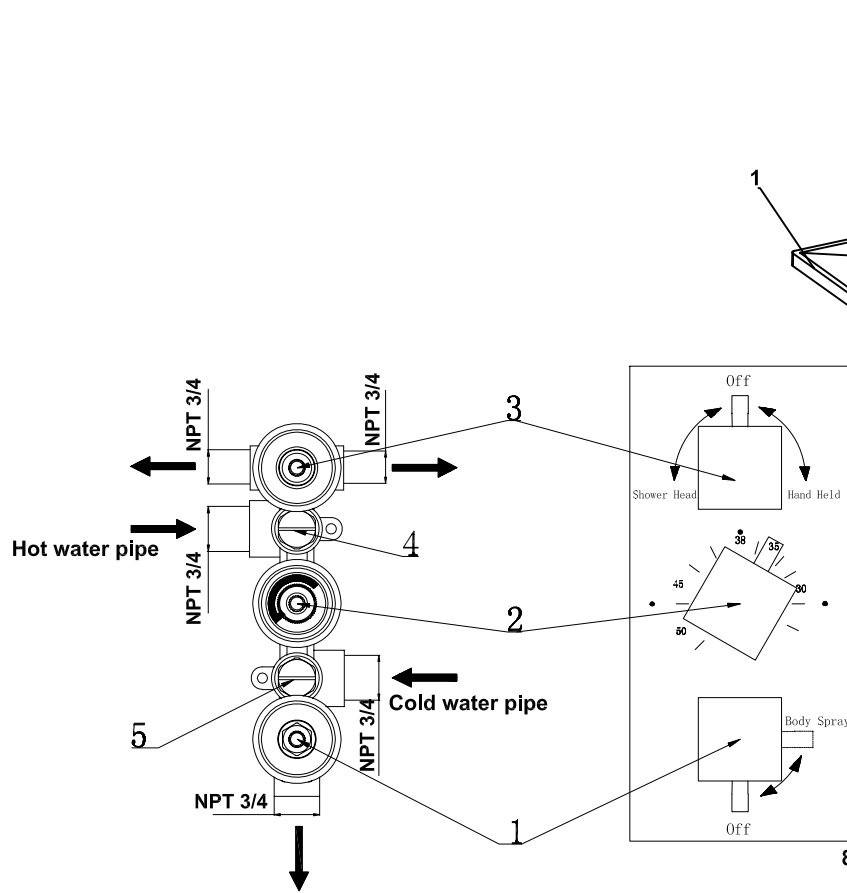
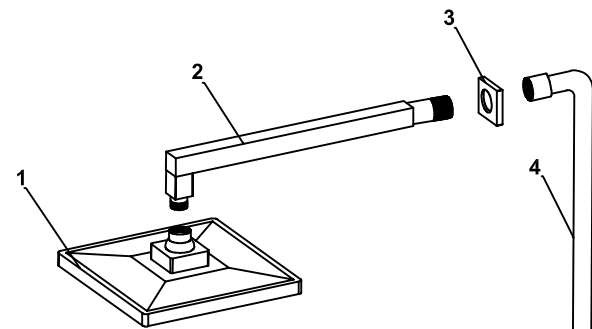


## HDD9361



### Attention:

- 1.Part 2 is temperature-control valve,it have been set at the right temperature when they leave the factory.Turn right to lower temperature,turn left meanwhile press the button to increase temperature.Installed part 2 as picture shown.
- 2.Part 3 is a water-control valve with two positions for turning,turning in the middle is to close water, turn right or left is to open water.
- 3.Part 1 and part 3 can operate independently and can be opened for water coming out at the same time.
- 4.Part 4 and Part 5 are used for filtering.Inside parts could be dismantled to clean.



- 1:Use the screws (19) and plastic mounting components (20) fix the controller on the wall.
- 2:Connect pipes (4), (8), (9), (10), (11) to the controller.As the installation indicated.
- 3:Connect the brass support arm (1) with the supply pipe,install the top shower (2).
- 4:Mount the massage spray (1), (2), (3) into the wall according to your requirement,connect with supply pipe.
- 5:Mount the hand shower holder on the wall and connect with supply pipe.install the hose and hand shower.
- 6:After the installation complete,install the controller and the panel as shown.

