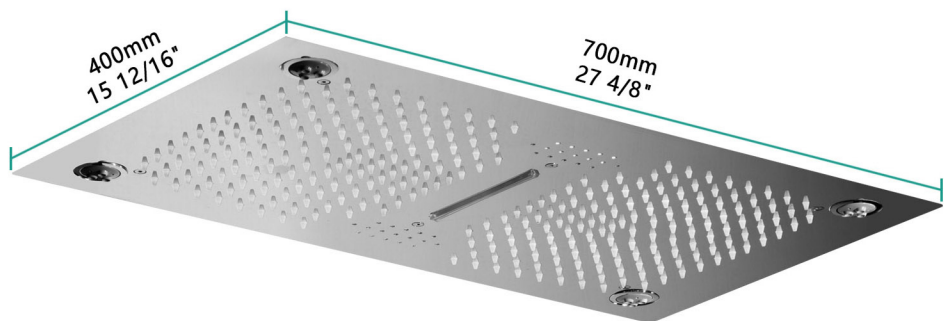
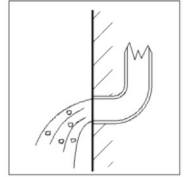


16"x28" LED SHOWER HEAD WITH BLUETOOTH SPEAKER INSTALLATION GUIDE

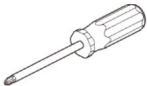


◆ **INSTALLATION CONDITION**

1. Check the Accessories List to verify that all parts are complete in this package.
2. Do not disassemble the main body by yourself.
3. Connect inlet pipes to supply valves.
4. Make sure inlet pipes and supply valves have been installed and cleaned, with no impurities in the pipeline.
5. After installation, check all joints for leakages.
6. Do not leave the rain shower system exposed to a severely corrosive environment.

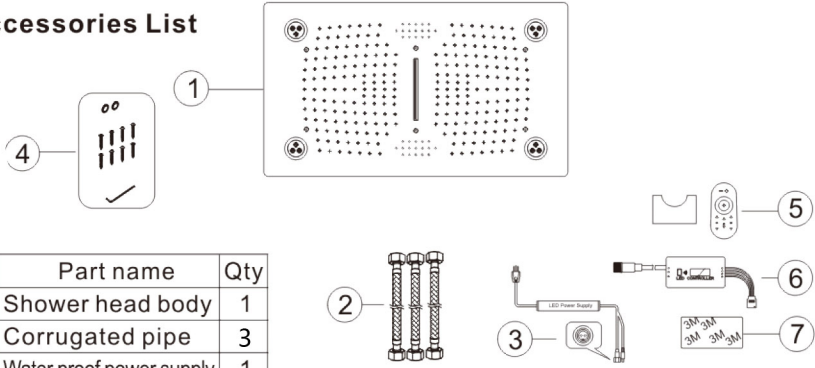


YOU MAY NEED:



◆ 4 Functions Luxury LED Shower Head

Accessories List

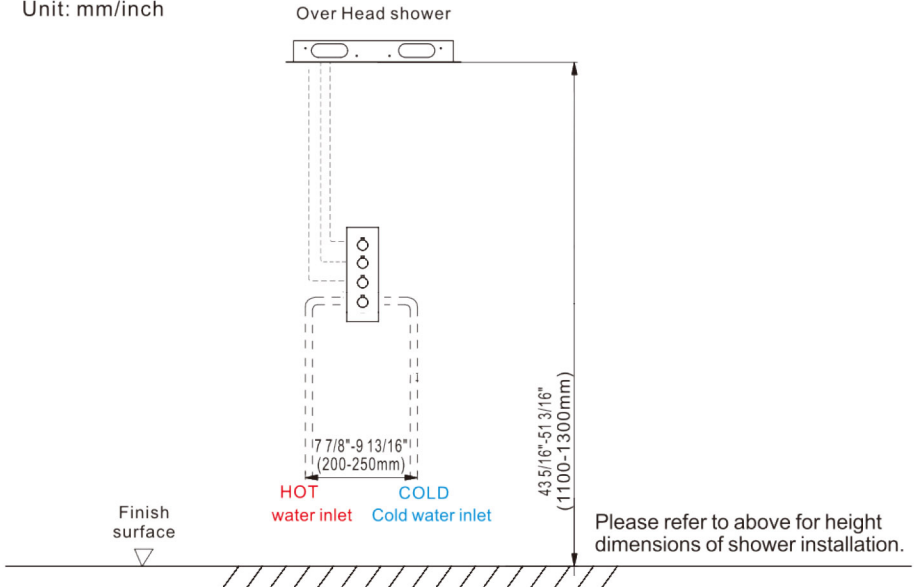


| No. | Part name | Qty |
|-----|--------------------------|------|
| 1 | Shower head body | 1 |
| 2 | Corrugated pipe | 3 |
| 3 | Water proof power supply | 1 |
| 4 | Shower head parts | 1set |
| 5 | LED Controller | 1 |
| 6 | Wifi controller | 1 |
| 7 | Wifi controller tape | 1 |
| 8 | Installation screws | 1set |
| 9 | Installation manual | 1 |

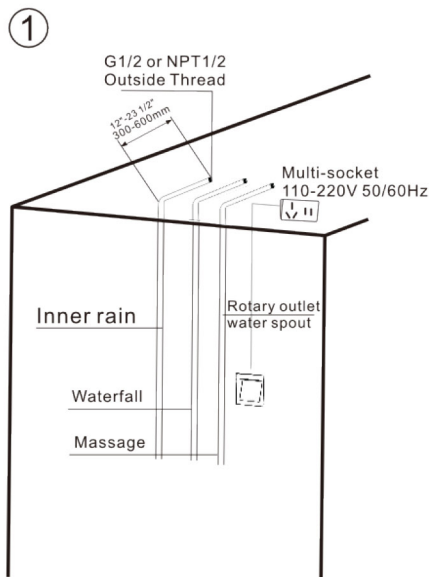
WARNING: Choking hazard. Please keep all small parts and plastic bags out of the reach of children.

◆ Water Pipe Line Reference

Unit: mm/inch

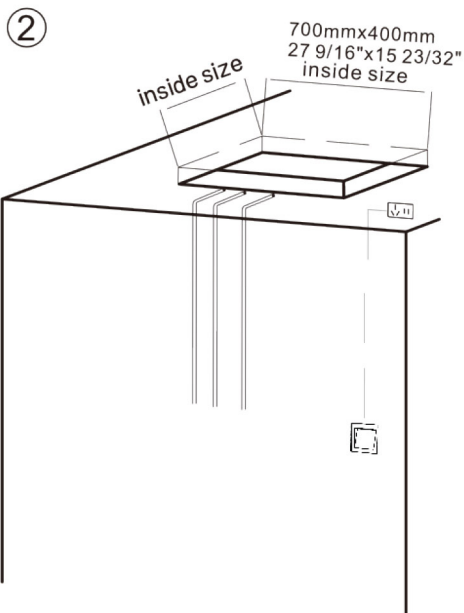


◆ Plumbing Layout of Shower Head

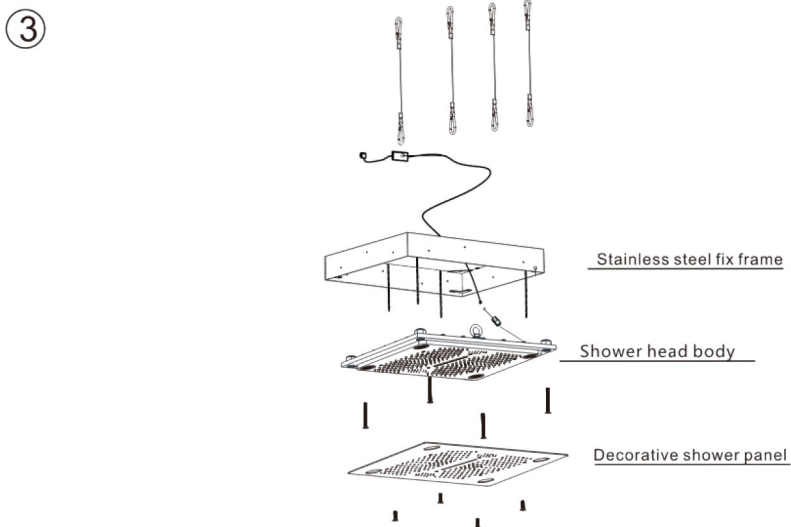


Install the power switch in the appropriate position, lay out water pipeline and connect it to the main body.

◆ Holes on Ceiling



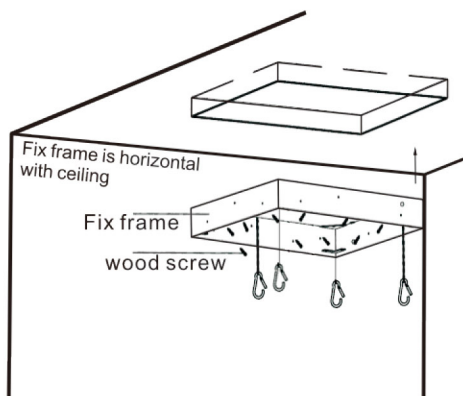
◆ Shower Head Exploded View



According to the mark (Remove Install) on the top of shower head panel, respectively unscrew the decorative shower panel, shower head body and fix frame.

◆ Fix Frame Installation

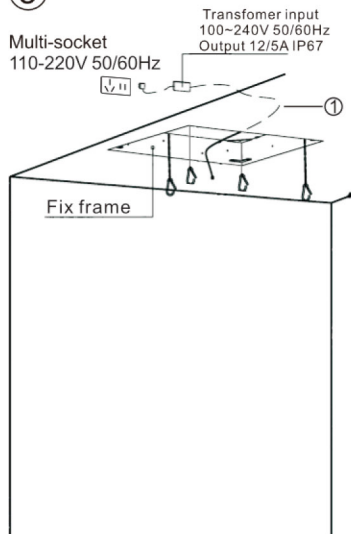
④



Fasten the fix frame to the wooden frame with 8 screws.

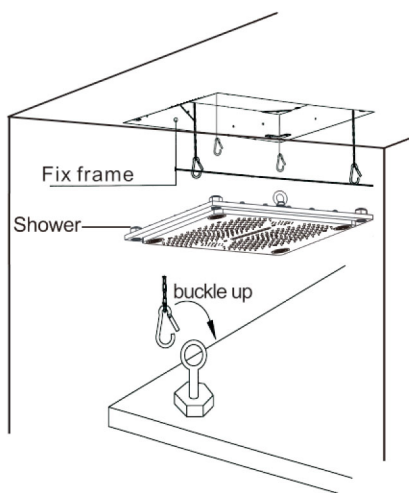
◆ Layout for Power

⑤



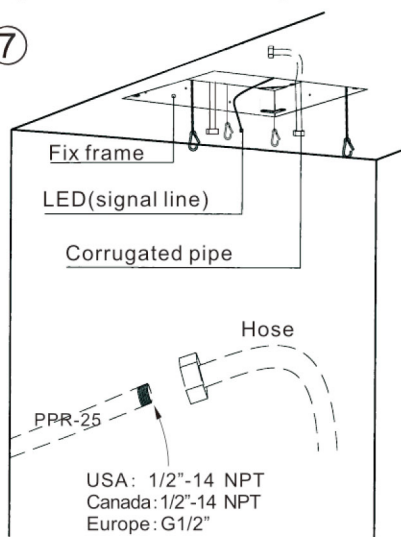
◆ Shower Head Body Installation

⑥



◆ Layout for Water Pipe

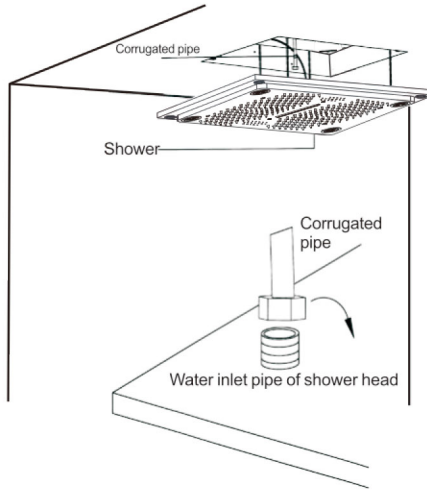
⑦



Connect one end of the corrugated pipe to the embedded PPR water pipe and the other end to the water inlet pipe on the back of shower head.

◆ Water Inlet Pipe Connection

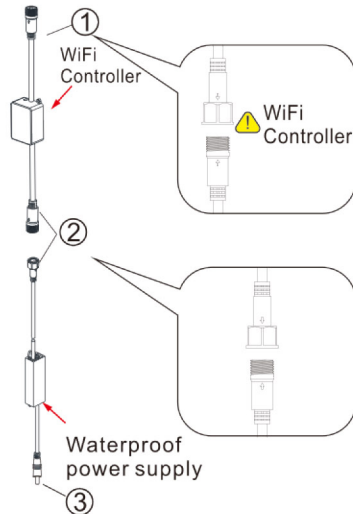
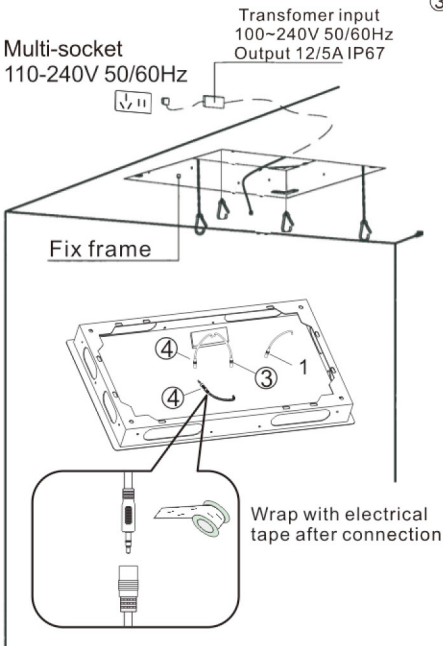
⑧



◆ LED (Single Line) Connection

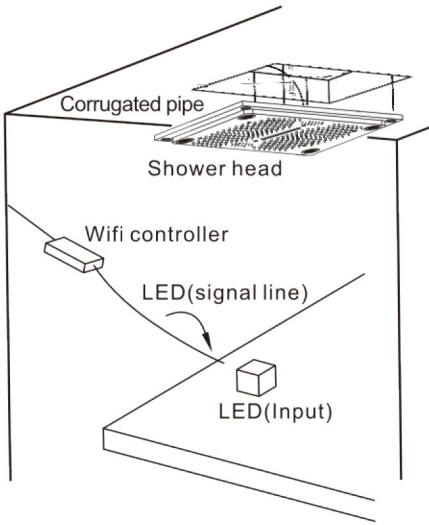
⑨

- ① to ① wifi controuer wrap it with adhesive tape to prevent it from falling off.
- ② to ② connect the Power supply and WiFi.
- ③ to ③ connect the Power supply and sound.



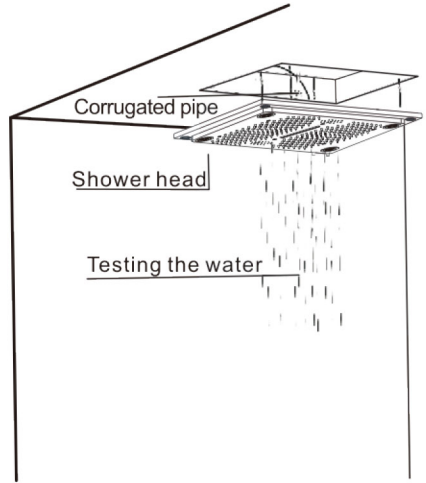
◆ LED (Single Line) Connection

⑩



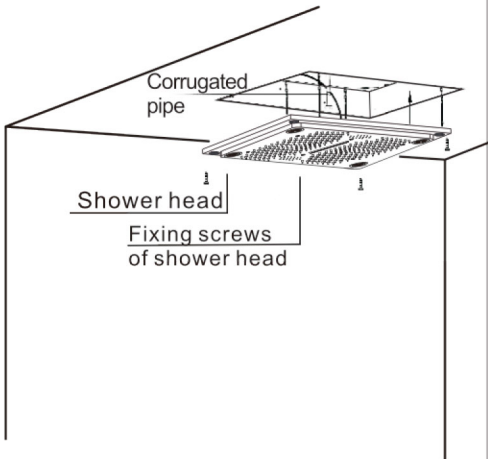
◆ Water Testing

⑪



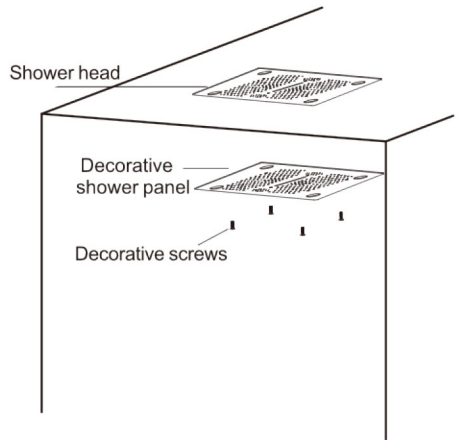
◆ Shower Head Installation

⑫



◆ Decorative Shower Panel Installation

⑬



◆ LED Touch Remote Instruction

Main parameter:

Panel controller:

Working Temp.: -20~60°C

Supply Voltage: DC12-24V

Size: L50*W35*H23mm

1 15/16"*1 6/16"*14/16"

Output: 3 channels

Output Current: <2A(each channel)

Connection mode: common anode

Touch Remote:

Working voltage: 1.5V*3V

Emission current: 10mA

Working Current: 300uA

Standby Current: 3uA

Standby time: 6 months

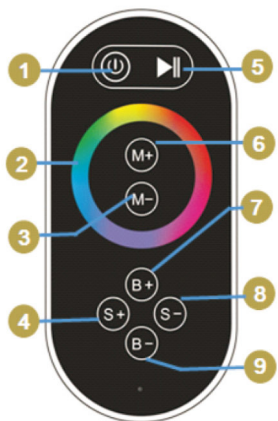
Control Distance: 20M

Color pulley point: 60



Touch remote has 9 touch keys, with each functioning as follows:

- ① Turn ON/OFF
- ⑤ Mode Switch
- ② Color Touch Ring
- ③/⑥ Color Temperature adjusting
- ④/⑧ Dynamic Speed adjusting
- ⑦/⑨ Dynamic Brightness adjusting



Mode:

| NO. | FUNCTION | REMOTE |
|-----|-------------------|---|
| 1 | Static red | Brightness is adjustable Speed is unadjustable |
| 2 | Static green | |
| 3 | Static blue | |
| 4 | Static purple | |
| 5 | Static blue-green | |
| 6 | Static yellow | |
| 7 | Static white | |
| 8 | R G B Jumping | Brightness is adjustable Speed is adjustable |
| 9 | R G B Gradual | |
| 10 | 7-Colors Jumping | |
| 11 | 7-Colors Gradual | |

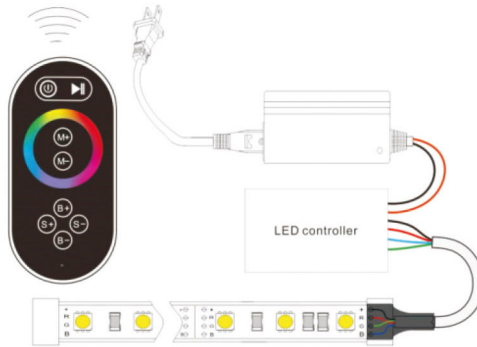
2.Power supply management:

The remote will enter the standby state (untouchable state) when pressed for more than 20s. If it happens, please slightly shake it once and then the remote will come back to the normal working state (touchable state).

3.Indicator light instruction:

- 3.1. The remote is idle or sending signal when the PWR is bright; when the PWR is off, it will enter the standby state.
- 3.2. When RF is bright, it means the remote is sending signal; off means there is no signal sending.

Controller connections shown:



Remarks:

1. This product should be commissioned and installed by qualified personnel.
2. This product can not be waterproof, need to avoid sun and rain, if installed outdoors, please use waterproof box.
3. Good heat dissipation conditions will extend the life of the LED controller, please install the product in a well-ventilated environment.
4. Please do not install or use such products in lightning, thunder, strong magnetic or high voltage applications.
5. Please check whether the output voltage of the LED power supply used meets the product voltage range requirements.
6. The diameter of the wire used must be sufficient to load the connected LED luminaire, and ensure that the wiring is firm, to avoid the wire overheating or poor contact triggers the accident.
7. Before power-on debugging, ensure that all wiring is correct to avoid damage to the luminaire due to wiring errors.

◆ **Music Connection Description**



Turn on the Bluetooth of your mobile phone and find the name of the shower head Bluetooth then connect it. So that you can start playing wonderful music.

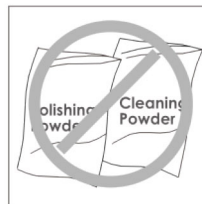
◆ CARE AND MAINTENANCE

In order to keep the mixer surface bright , please clean the mixer regularly.

Rinse faucet with clean water and wipe with soft cotton cloth.

Avoid suing cleaning powder , harsh cleaning chemicals, brushes, and cloth with coarse surface to prevent scratching and corrosion.

Do not use acid cleaner to clean the faucet as it may cause surface corrosion of the faucet. If the faucet comes into contact with harmful acid substances, please rinse it with water immediately.



◆ IF A LARGE-SCALE CLEAN-UP IS NECESSARY, FOLLOW THESE PROCEDURES

1: Use clean water and soft cloth to remove dirt on the surface as much as possible.

2: Use one of the following cleaners to remove dirt on the surface

Mild liquid cleaner.

Colorless glass cleaner, powder cleaner which does not have abrasive function and can be dissolved completely.

Polish liquid which does not have abrasive function.

3: After cleaning, remove the cleansing agent with clean water completely and wipe with soft cotton cloth.