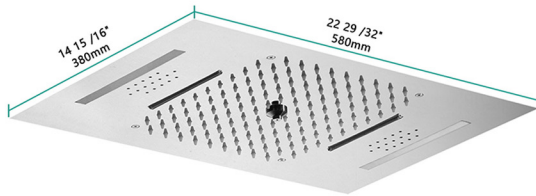


LED MUSIC SHOWER HEAD INSTALLATION GUIDE



◆ INSTALLATION CONDITION



1.Refer to the 《Standard Part List》 when unpacking , check all parts available .

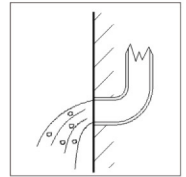
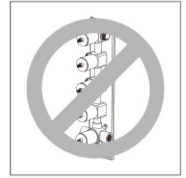
2.Do not disassemble mixer body by yourself.

3.Connect inlet hoses to supply valves.

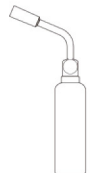
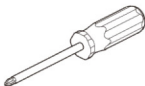
4.Make sure inlet pipes and supply valves have been installed and cleaned, also ensure no impurities in pipeline.

5.After installation , check all joints for leakages.

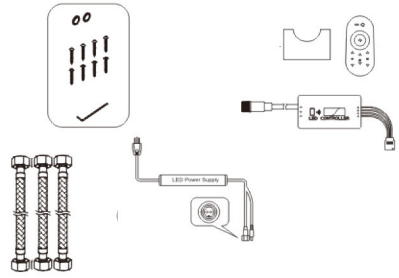
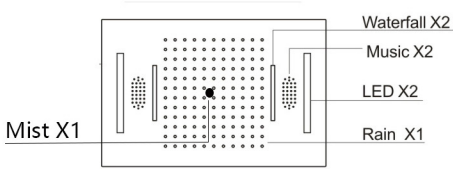
6.Suggest don't fit the faucet in the severely corrosive environments.



YOU MAY NEED:



◆ PRODUCT LIST

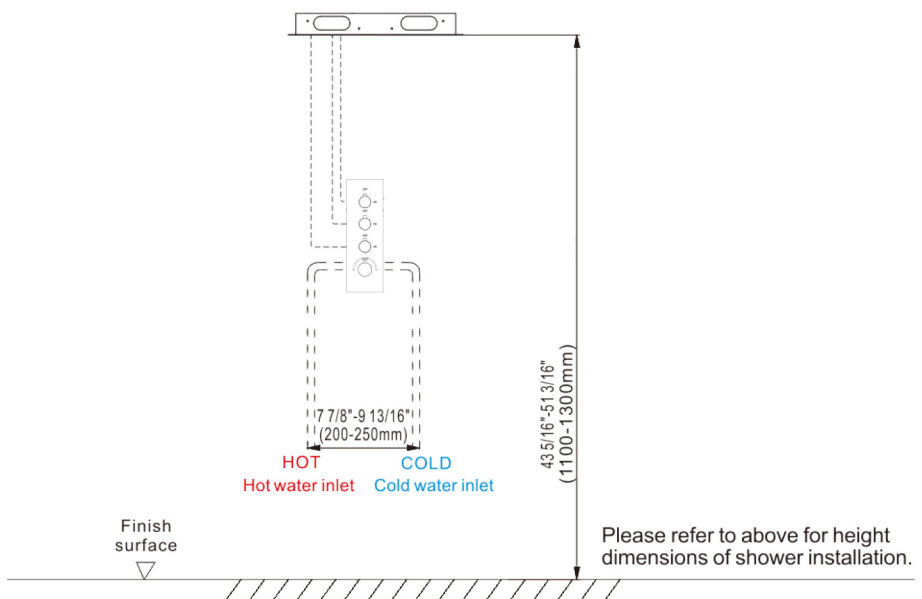


No.	Part name
1	Shower head
2	Corrugated pipe
3	Water proof power supply
4	Shower head screw
5	Shower head wrench
6	Controller
7	Installation screws
8	Installation manual

◆ INSTALLATION SHOWER SET SIZE & WATER PIPE LINE REFERENCE

Unit: mm/inch

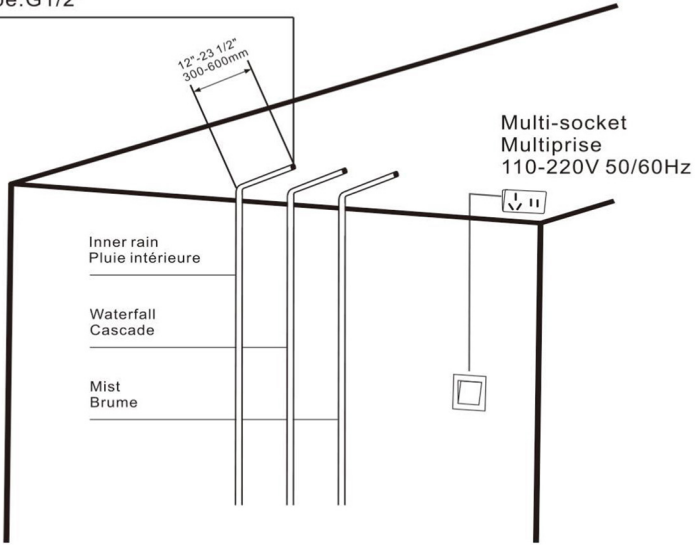
Over Head shower



◆ **Plumbing Layout of Shower Head**
 ◆ **Schéma de plomberie du pommeau de douche**

①

USA 1/2"-14NPT
 Canada: 1/2NPT
 Europe: G1/2"

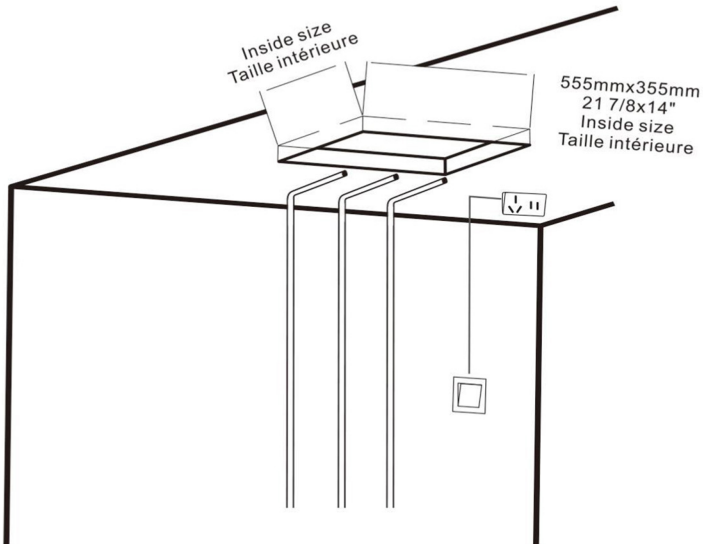


Install the power switch in the appropriate position, lay out the water pipeline, and connect it to the main body.

Installer l'interrupteur dans la position appropriée, poser la canalisation d'eau et la raccorder au corps principal.

◆ **Holes on Ceiling**
 ◆ **Trous dans le plafond**

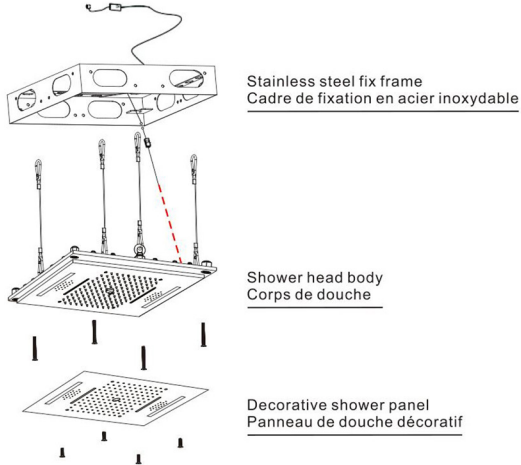
②



◆ Shower Head Exploded View

◆ Vue éclatée du pommeau de douche

③

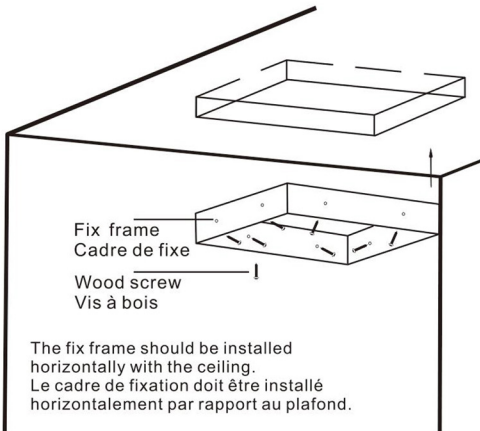


According to the mark (Remove/Install) on the top of the shower head panel, unscrew the decorative shower panel, shower head body, and fix frame respectively.
En fonction du marquage (Démontage/Installation) sur le dessus du panneau de la pomme de douche, dévisser respectivement le panneau décoratif de la douche, le corps de la pomme de douche et le cadre de fixation.

◆ Fix Frame Installation

◆ Installation du cadre fixe

④

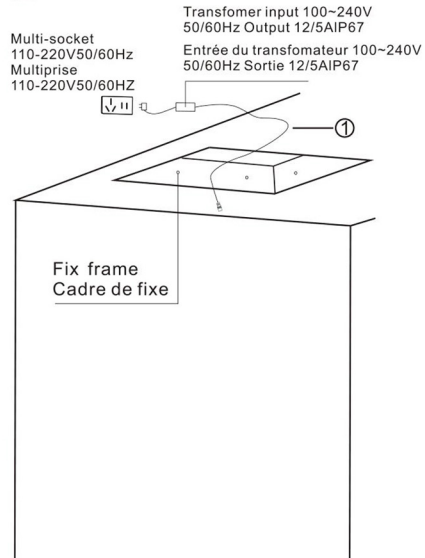


Fasten the fix frame to the wooden frame with screws
Fixer le cadre fixe au cadre en bois à l'aide de vis

◆ Layout for power

◆ Disposition de l'alimentation

⑤

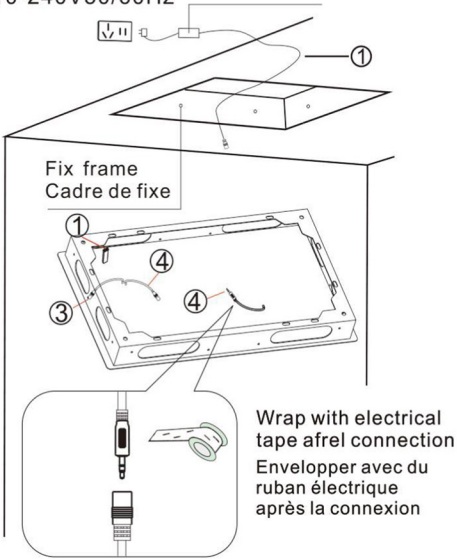


◆ **LED (Single Line) Connection**
 ◆ **Connexion LED (ligne unique)**

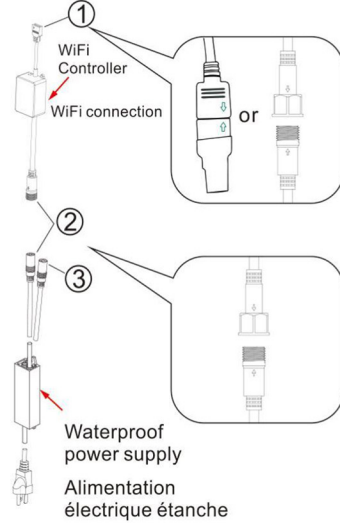
⑥

Multi-socket
 Multiprise
 110-240V50/60Hz

Transformer input 100~240V
 50/60Hz Output 12/5AIP67
 Entrée du transformateur 100~240V
 50/60Hz Sortie 12/5AIP67

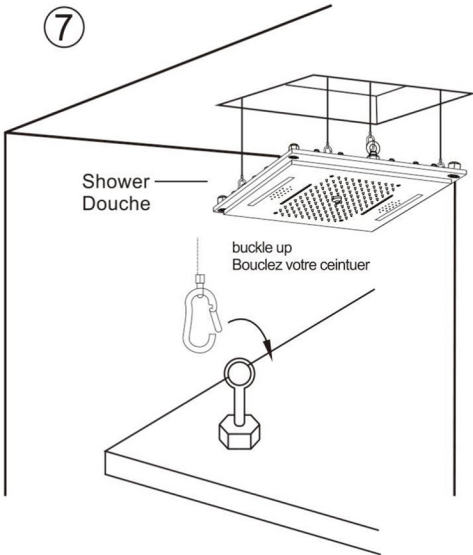


- ① To attach the WiFi controller, wrap it with adhesive tape to prevent it from falling off.
 - ② To connect the power supply and WiFi
 - ③ connect the Power supply and sound.
 - ④ connect the sound
- ① Pour fixer le contrôleur WiFi, entourez-le de ruban adhésif pour éviter qu'il ne tombe.
 - ② To connect the power supply and WiFi
 - ③ connecter l'alimentation et le son.
 - ④ connecter le son



◆ **Shower Head Body Installation**
 ◆ **Installation du corps de la pomme de douche**

⑦



◆ **Layout for Water Pipe**
 ◆ **Tracé de la conduite d'eau**

⑧

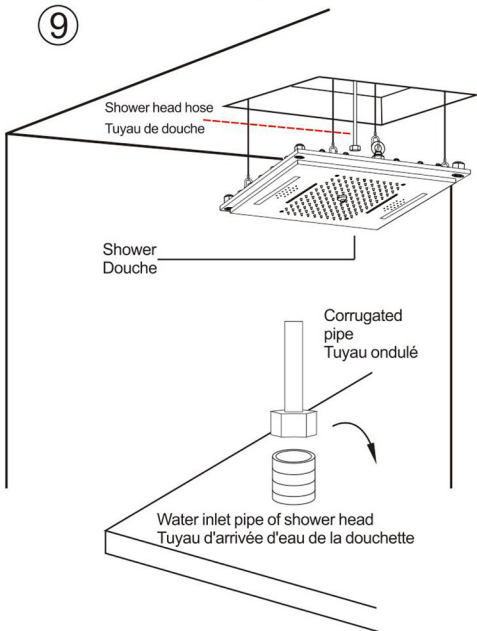


Connect one end of the corrugated pipe to the embedded PPR water pipe and the other end to the water inlet pipe on the back of shower head.
 Connectez une extrémité du tuyau ondulé au tuyau d'eau PPR encastré et l'autre extrémité au tuyau d'entrée d'eau à l'arrière de la douchette.

◆ Water Inlet Pipe Connection

◆ Raccordement du tuyau d'arrivée d'eau

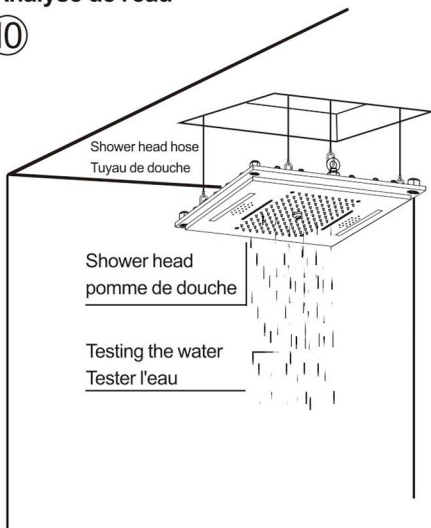
9



◆ Water Testing

◆ Analyse de l'eau

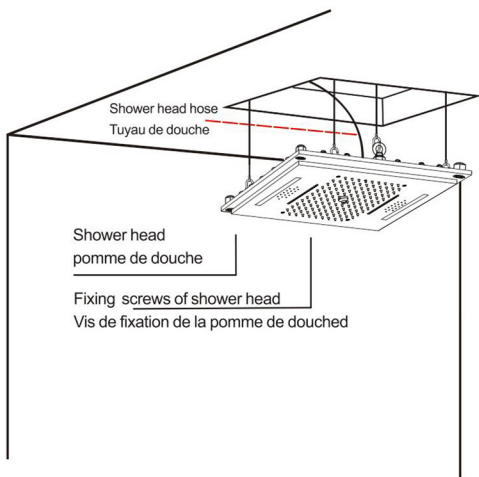
10



◆ Shower Head Installation

◆ Installation de la pomme de douche

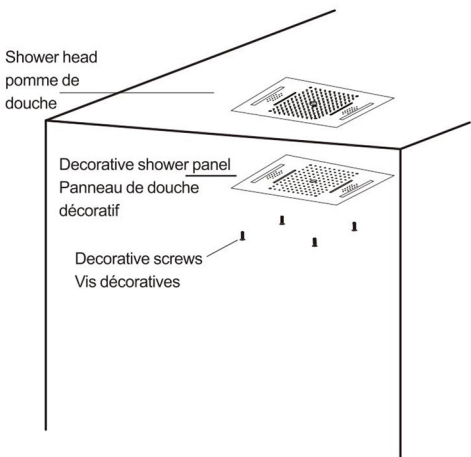
11



◆ Decorative Shower panel Installation

◆ Installation d'un panneau de douche décoratif

12



◆ Touch Remote Instruction

Main parameter:

Panel controller:

Working Temp.: -20~60°C

Supply Voltage: DC 12-24V

Size: L50*W35*H23mm

1 15/16" * 1 6/16" * 14/16"

Output: 3 channels

Output Current: <2A (each channel)

Connection mode: common anode

Touch Remote:

Working voltage: 1.5V*3V

Emission current: 10mA

Working Current: 300uA

Standby Current: 3uA

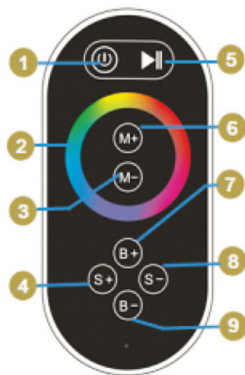
Standby time: 6 months

Control Distance: 20M

Color pulley point: 60



Touch remote has 9 touch keys, with each functioning as follows:



- ① Turn ON/OFF
- ⑤ Mode Switch
- ② Color Touch Ring
- ③/⑥ Color Temperature adjusting
- ④/⑧ Dynamic Speed adjusting
- ⑦/⑨ Dynamic Brightness adjusting

2. Power supply management:

The remote will enter the standby state (untouchable state) when pressed for more than 20s. If it happens, please slightly shake it once and then the remote will come back to the normal working state (touchable state).

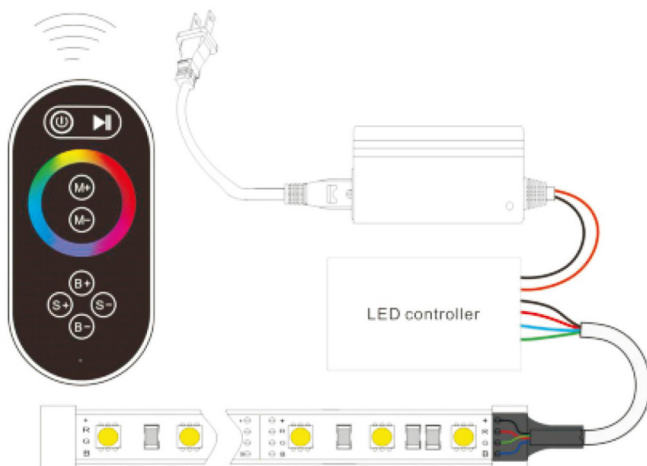
3. Indicator light instruction:

- 3.1. The remote is idle or sending signal when the PWR is bright; when the PWR is off, it will enter the standby state.
- 3.2. When RF is bright, it means the remote is sending signal; off means there is no signal sending.

Mode:

NO.	FUNCTION	REMOTE
1	Static red	Brightness is adjustable Speed is unadjustable
2	Static green	
3	Static blue	
4	Static purple	
5	Static blue-green	
6	Static yellow	
7	Static white	
8	R G B Jumping	Brightness is adjustable Speed is adjustable
9	R G B Gradual	
10	7-Colors Jumping	
11	7-Colors Gradual	

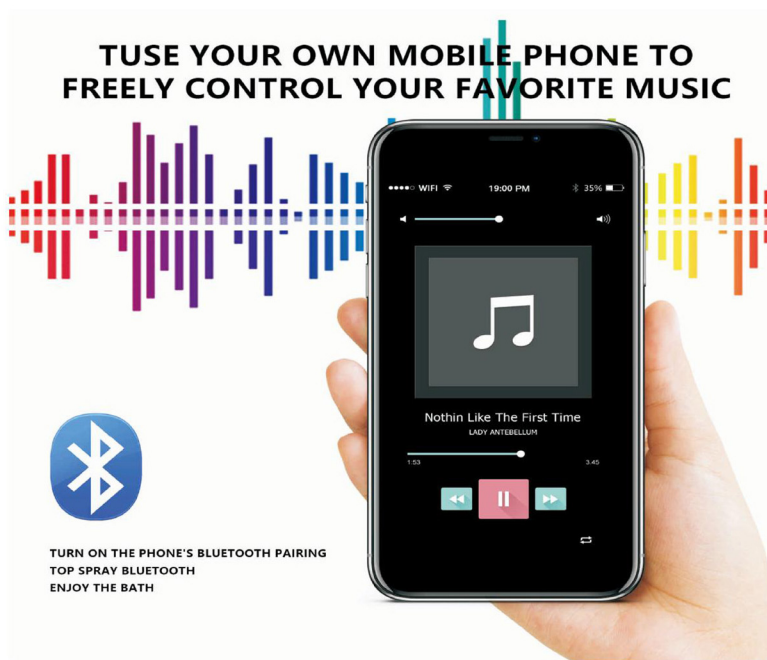
Controller connections shown:



Remarks:

1. This product should be commissioned and installed by qualified personnel.
2. This product can not be waterproof, need to avoid sun and rain, if installed outdoors, please use waterproof box.
3. Good heat dissipation conditions will extend the life of the LED controller, please install the product in a well-ventilated environment.
4. Please do not install or use such products in lightning, thunder, strong magnetic or high voltage applications.
5. Please check whether the output voltage of the LED power supply used meets the product voltage range requirements.
6. The diameter of the wire used must be sufficient to load the connected LED luminaire, and ensure that the wiring is firm, to avoid the wire overheating or poor contact triggers the accident.
7. Before power-on debugging, ensure that all wiring is correct to avoid damage to the luminaire due to wiring errors.

- ◆ Music ConnectionDescription
- ◆ Music ConnectionDescription



Turn on the Bluetooth of your mobile phone and find the name of the shower head Bluetooth then connect it. So that you can start playing wonderful music. Allumez le bouton d'allumage de votre téléphone portable et trouvez le nom de la douche. de la tête de douche et connectez-la. Vous pouvez alors commencer à jouer de la musique merveilleuse.

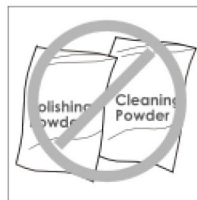
◆ CARE AND MAINTENANCE

In order to keep the mixer surface bright , please clean the mixer regularly.

Rinse faucet with clean water and wipe with soft cotton cloth.

Avoid using cleaning powder , harsh cleaning chemicals, brushes, and cloth with coarse surface to prevent scratching and corrosion.

Do not use acid cleaner to clean the faucet as it may cause surface corrosion of the faucet. If the faucet comes into contact with harmful acid substances, please rinse it with water immediately.



◆ IF A LARGE-SCALE CLEAN-UP IS NECESSARY, FOLLOW THESE PROCEDURES:

1: Use clean water and soft cloth to remove dirt on the surface as much as possible.

2: Use one of the following cleaners to remove dirt on the surface

Mild liquid cleaner.

Colorless glass cleaner, powder cleaner which does not have abrasive function and can be dissolved completely.

Polish liquid which does not have abrasive function.

3: After cleaning, remove the cleansing agent with clean water completely and wipe with soft cotton cloth.