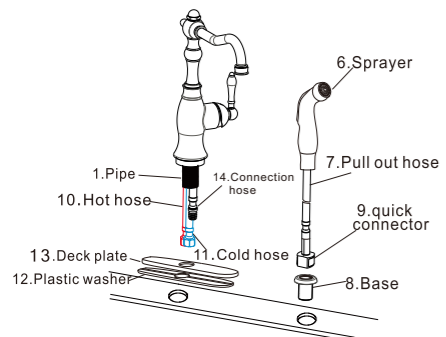


TYPE FOUR: with side sprayer



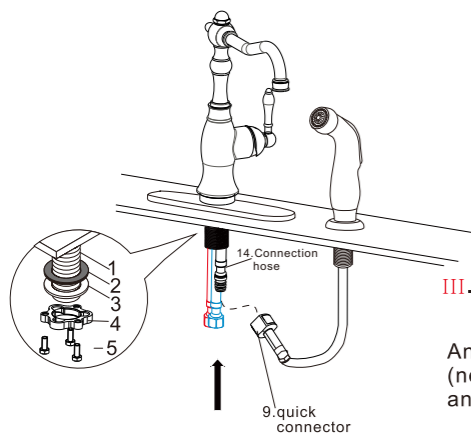
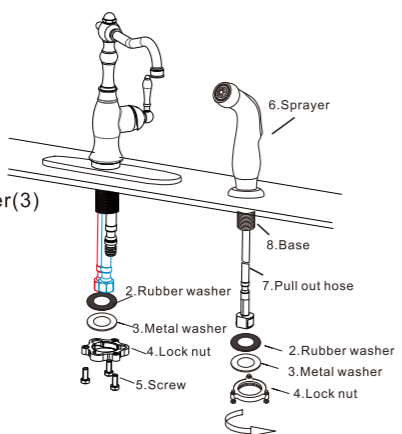
I. Remove the Rubber washer (2), Metal (3) and lock nut (4) from the faucet.

And then put them into the deck plate(13), plastic washer(12) and hole.

Put the base(8) into the hole.

II. Put the sprayer(6) and pull out hose(7) through the base(8).

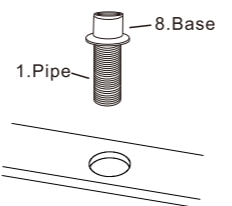
Screw rubber washer(2), metal washer(3) and lock nut(4) onto the pipe(1) and base(8).



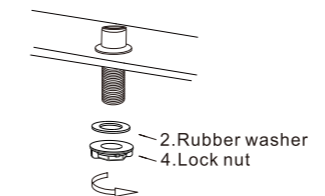
III. Connect connection hose(14) with quick connector(9).

And then connect water supply (not included) on the hot hose(10) and cold hose (11).

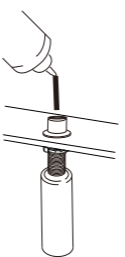
SOAP DISPENSER:



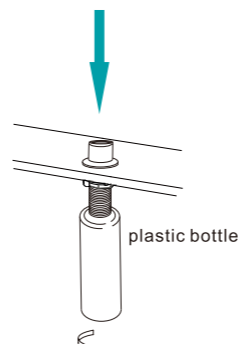
I. Screw pipe(1) on the base(8). And then put them into the hole.



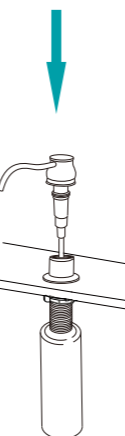
II. Screw rubber washer(2) and lock nut(4) onto the pipe(1).



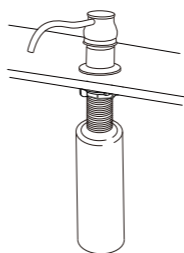
IV. Add detergent to plastic bottle.



III. Screw the plastic bottle onto the pipe (1).



V. Push down the head of soap dispenser.



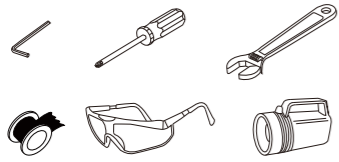
VI. Completed

KITCHEN FAUCET

Installation Instructions



YOU MAYBE NEED:

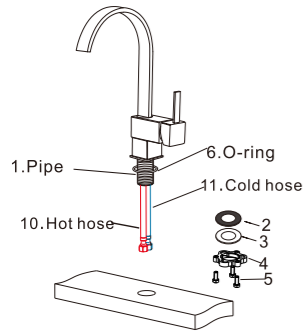


Firstly, thanks for purchasing our products.

This instruction manual lists four types of kitchen faucets for reference.

There is corresponding to installation manual for your purchased products.

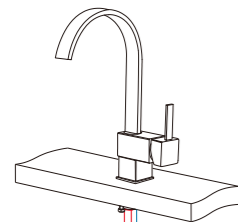
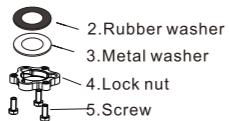
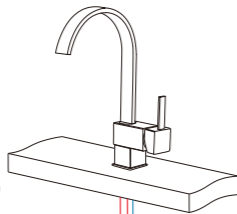
TYPE ONE:



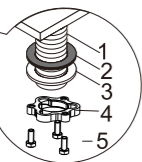
- I. Remove the Rubber washer (2), Metal (3) and lock nut (4) from the faucet.

And then put the faucet into center hole.

- II. Screw rubber washer(2), metal washer(3) and lock nut(4) onto the pipe(1). And then connect water supply(not included) on the hot hose and cold hose.



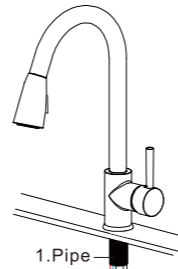
- III. Open the hot and cold water supplies. Check for leaks. Turn on faucet handle for one minute to flush debris from faucet.



TYPE TWO: without panel

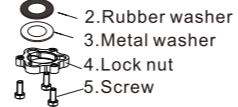
- I. Remove the Rubber washer (2), Metal (3) and lock nut (4) from the faucet.

And then put the faucet into center hole.



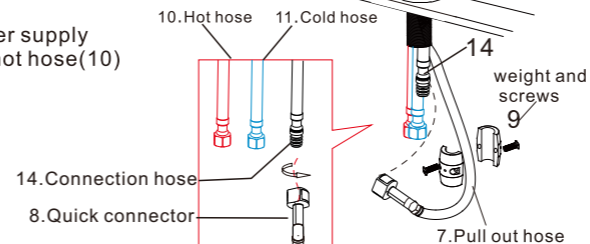
1. Pipe

- II. Screw rubber washer(2), metal washer(3) and lock nut(4) onto the pipe(1).



- III. Connect connection hose(14) with quick connector(8). Assemble weight and screws(9) on the pull out hose(7).

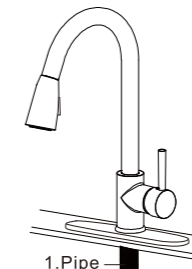
And then connect water supply (not included) on the hot hose(10) and cold hose (11).



TYPE THREE: with panel

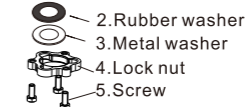
- I. Remove the Rubber washer (2), Metal (3) and lock nut (4) from the faucet.

Place faucet through the hole of panel and counter.



1. Pipe

- II. Screw rubber washer(2), metal washer(3) and lock nut(4) onto the pipe(1).



- III. Connect connection hose(14) with quick connector(8). Assemble weight and screws(9) on the pull out hose(7).

And then connect water supply (not included) on the hot hose(10) and cold hose (11).

