

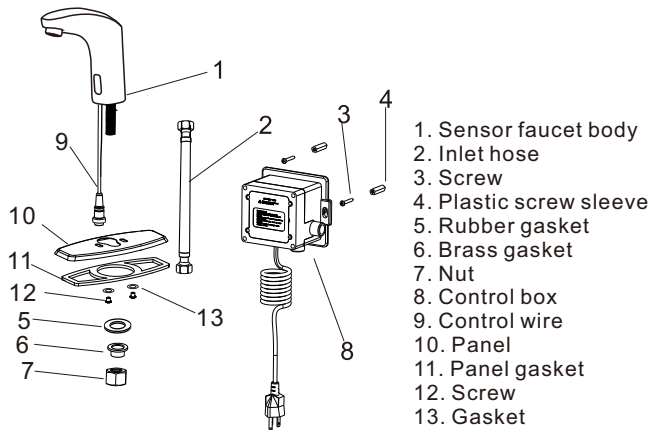
OPERATION AND MAINTENANCE

Carefully read this instruction manual before installing and using. Please keep this instruction manual for future reference. Do not place or install the product directly under the sun or in a location with long exposure to sunlight. Do not place any reflective items such as a mirror on the wall opposite the faucet. Do not use contaminated water with this device. Do not soak this device in water as this will cause permanent damage.



Single Hole Electrical Washbasin Faucet

DIAGRAM AND PARTS LIST



RECOMMENDED TOOLS



DESCRIPTION & INFORMATION

Feature:

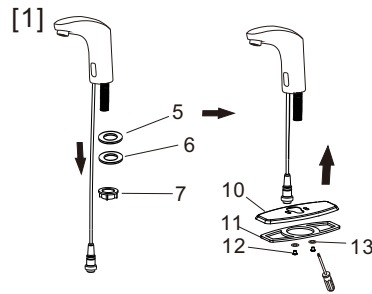
- Water saving: sensor responds to an object in 0.5s and stops once object is out of sensor range.
- Hygienic: automatic sensor keeps hands free from touching faucet. Intelligent sensor faucet will automatically stop if water flows over 1 minute. Sensor resets in 10s.
- Faucet stops working if water supply or power is out to minimize water leakage.
- Low power consumption 4xAA batteries can be consumed for 2 years 300 cycles a day.
- Stable & Reliable all faucets are subject to moisture and humidity test.

Specification:

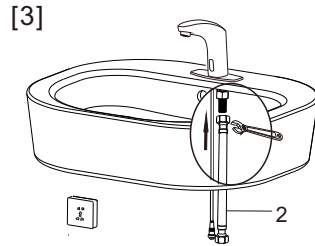
- Power voltage: AC110v (60Hz) and DC (4xAA batteries not included)
- Water pressure: 0.05-0.6MPa
- Water temperature: 0-80°C
- Ambient temperature: 0.1-45°C
- Detection range: 10-15cm

(Manufacturer set, detection range does not need to be adjusted. If you need to adjust, please contact the merchant.)

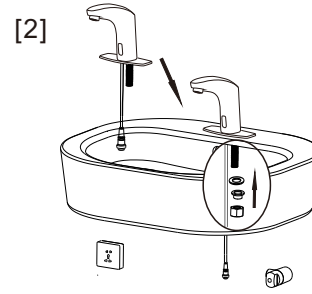
ASSEMBLY INSTRUCTIONS



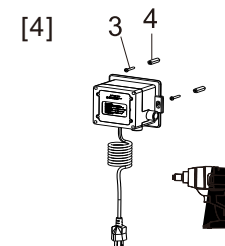
1. Unscrew the pre-assembled washers(5,6) and nut(7). And install the panel(10), gasket(11) and secure with gaskets(13) and screws(12).



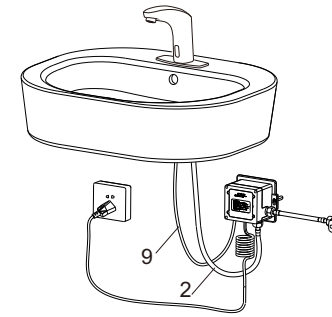
3. Connect faucet with water inlet hose(2).



2. Place them into the basin hole. Fix the sensor faucet body with washers(5,6) and nut(7).



4. Hang the control box on the wall, drill two wall holes, and insert the screws(3) from control box holes to screw sleeves(4) then tighten it.



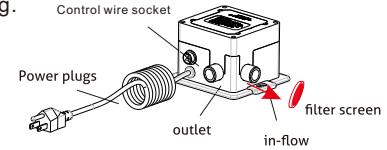
5. Connect inlet hose (2) to outlet, connect control wire(9) to control wire socket. Open the triangle valve, plug in power.

Complete installation.

• Single cold control box

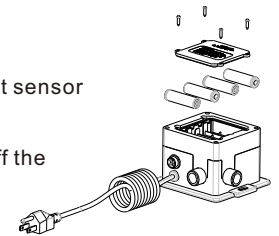
Clean filter: Cold Water Control Box

1. Disconnect the power plug.
2. Turn off waterway.
3. Take out filter screen with a plier.
4. Clean filter screen gently with running water and replace the screen. connect the power.



• Installation of battery

1. When the battery is out, the light sensor will flash in every 2 to 3 sec.
2. Replace the battery by taking off the cover and replace new battery.



Simple Troubleshooting

Problem	Reason	Solution
No water comes out	Batteries run out	Replace with new batteries
	Electricity cut off	Wait for power to resume
	Power failure	Check power connection
	Water supply has been cut	Wait for water to resume
	Filter blocked	Clean the filter
	Washing more than 1 min.	Use it 10s later
Can't stop flowing	Batteries run out	Replace with new batteries
	Electricity has been cut	Wait for electricity to resume
	Power failure	Check power connection
	Obstacle blocked	Remove the obstacle
Shut off faucet but low water flows	Low water pressure	Reset water pressure
	Filter is too dirty	Clean the filter
Water rate is too small	Inlet hose too small	Change to a standard size hose
	Triangular valve didn't open	Open the valve at full
	Low water pressure	Reset water pressure
Batteries have short life span	Used poor quality batteries	Replace with new batteries